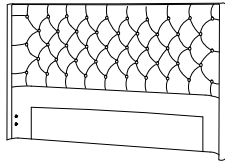
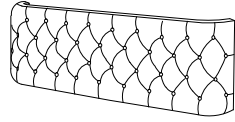


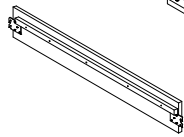
## HEADBOARD SET ASSEMBLY INSTRUCTION (TOTAL 1 BOX)



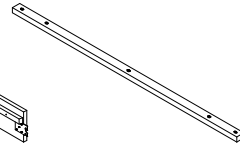
A x 1 pc



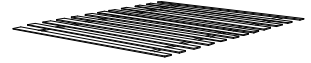
B x 1 pc



Cx 2 pcs



Dx 2 pcs



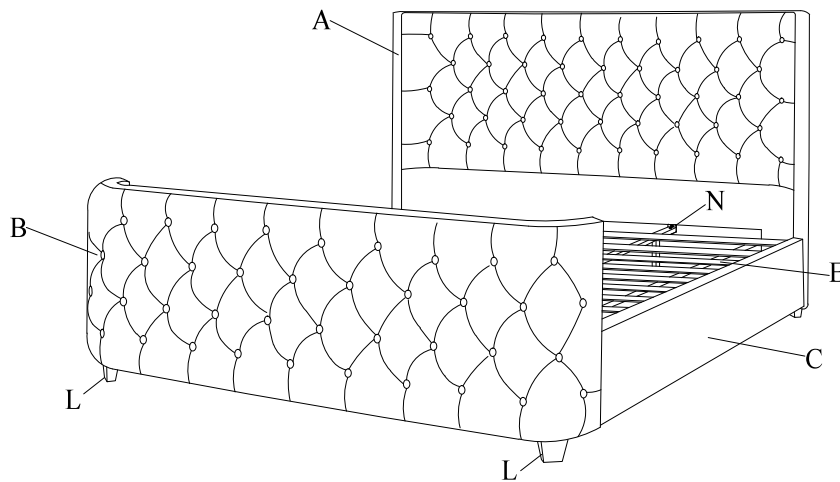
Ex 1 pc

Please read over the instructions, it will be a time-saver in the long run.

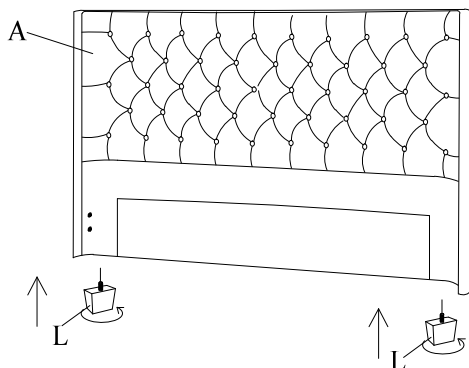
Note: Before assembly, please be sure to work on a soft flat surface to avoid any damage to the finish.

Please leave bolts loosened until all bolts are placed before tightening completely.

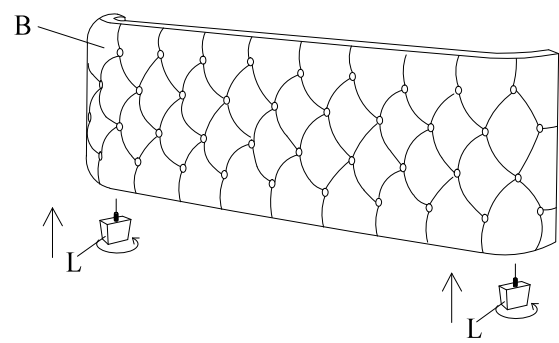
Part#	Picture	Description	QTY	Location	Part#	Picture	Description	QTY	Location
K		Center leg	6	Support carton	T		Spring Washer Ø8	12	Already in Place
L		Legs	4	Support carton			4	Hardware Pack	
S		Screws 4x40mm	48	Hardware Pack	U		Flat Washer Ø8x25mm	12	Already in Place
W		"L" Wrenches Ø5	1	Hardware Pack			4	Hardware Pack	
M		Bolt Ø8x30mm	12	Already in Place	Y		Cp3-1	4	Support carton
N		Bolt Ø8x40mm	4	Hardware Pack					



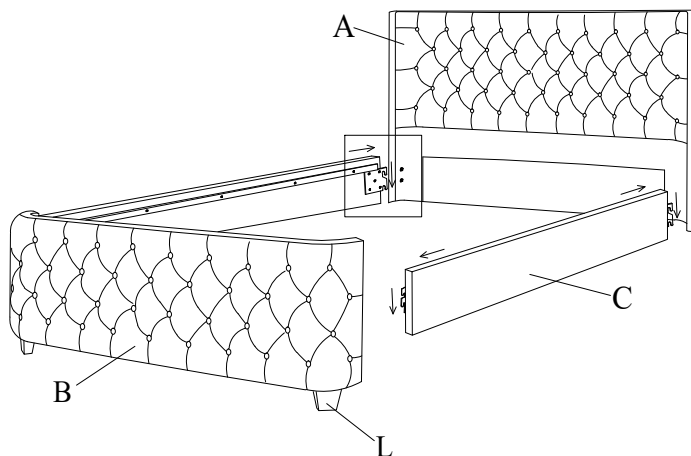
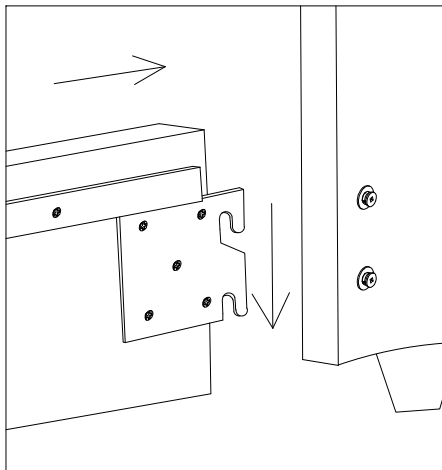
1



2

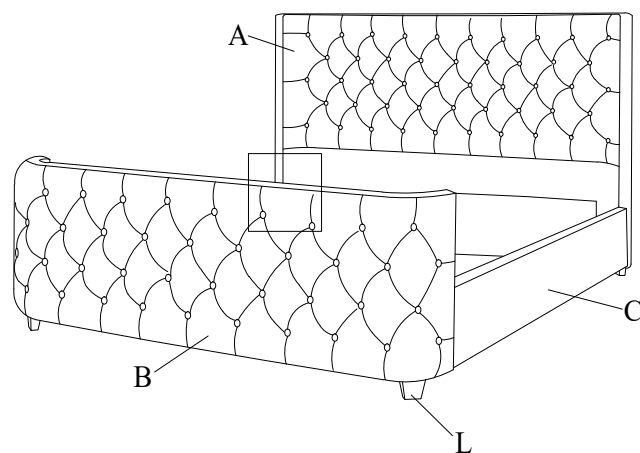
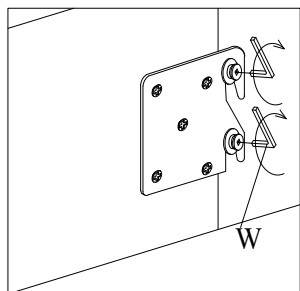
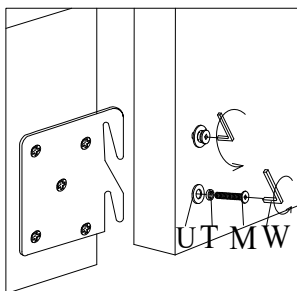


3



4

step1 → step2



5

