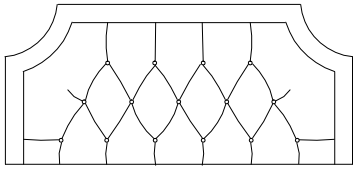


5005 HEADBOARD COMPONENTS



A x 1 pc

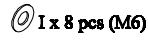


B x 2 pcs

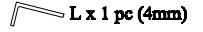


C x 4 pcs (8x20mm)

F x 6 pcs (4x20mm)



I x 8 pcs (M6)



D x 4 pcs (M8)

G x 1 pc (5mm)

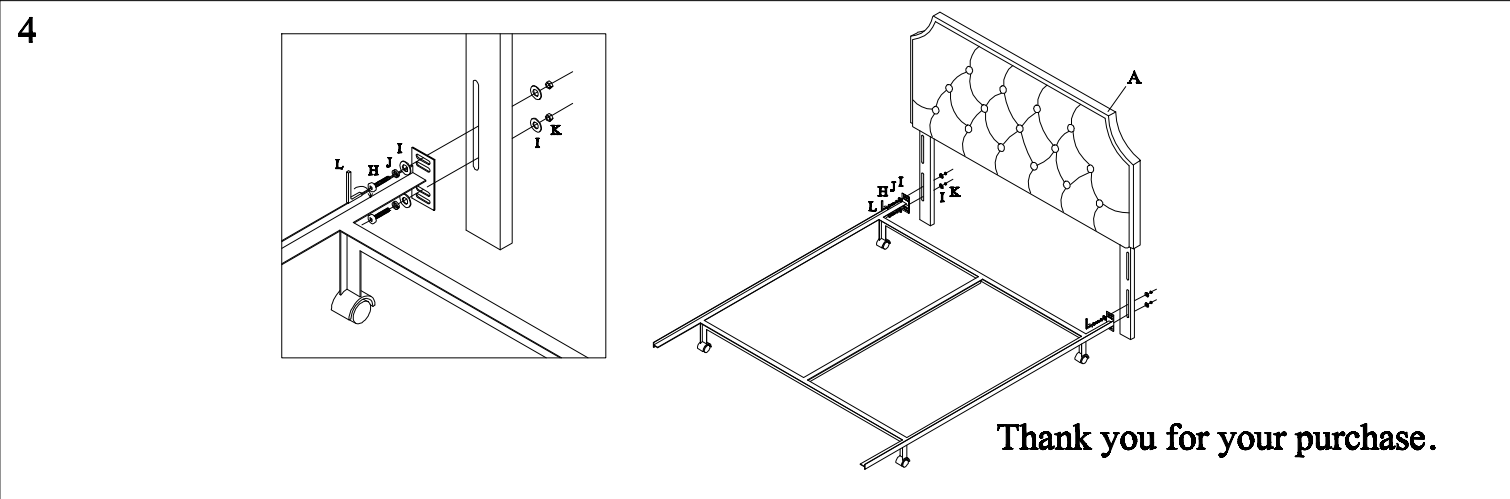
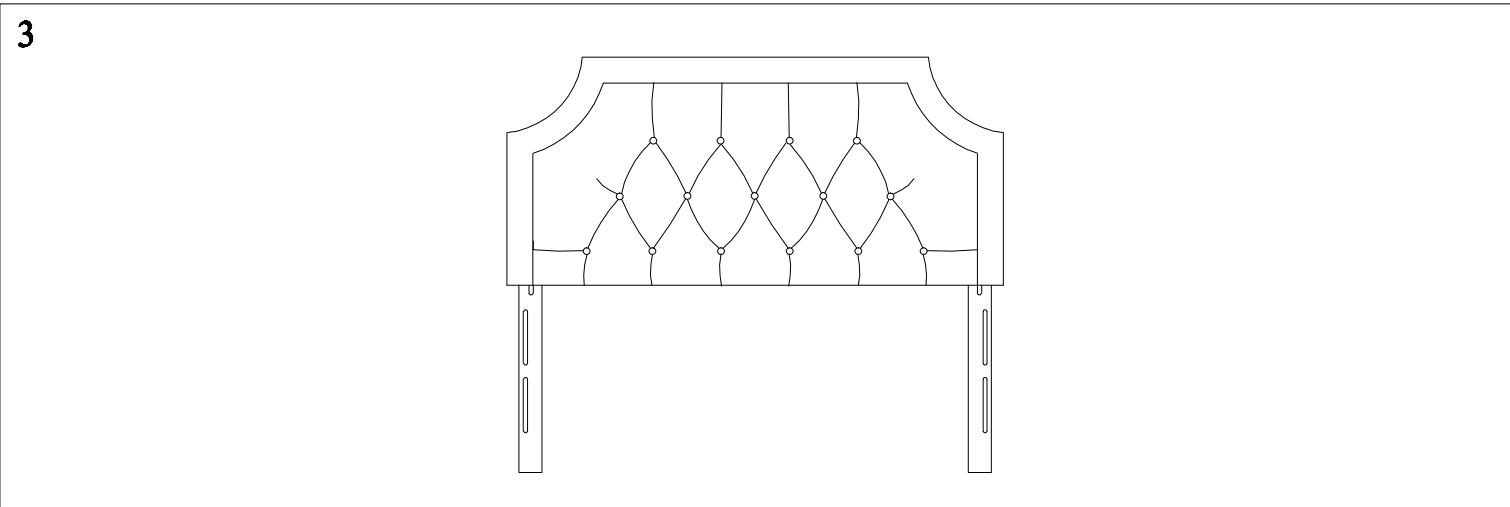
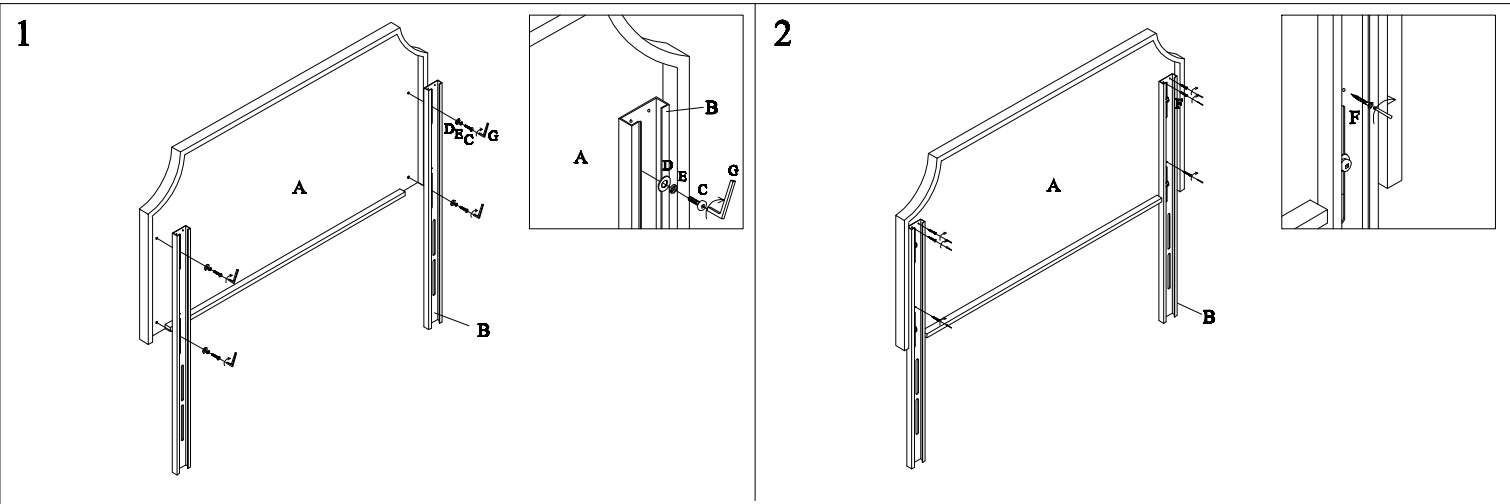
J x 4 pcs (M6)



E x 4 pcs (M8)

H x 4 pcs (6x30mm)

K x 4 pcs (M6)



Thank you for your purchase.