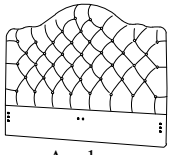
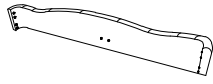


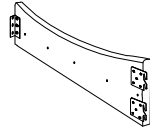
HEADBOARD SET ASSEMBLY INSTRUCTION (TOTAL 1 BOX)



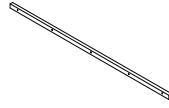
A x 1 pc



B x 1 pc



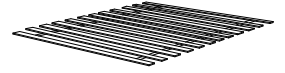
C x 2 pcs



D x 2 pcs



E x 2 pcs



F x 1 pc



G x 1 pc



H x 4 pcs



I x 10 pcs(M8x60)



J x 2 pcs(M8x70)



K x 14 pcs(M8x25mm)



L x 14 pcs(M8)



M x 2 pcs(M8)



N x 24 pcs(4x30)



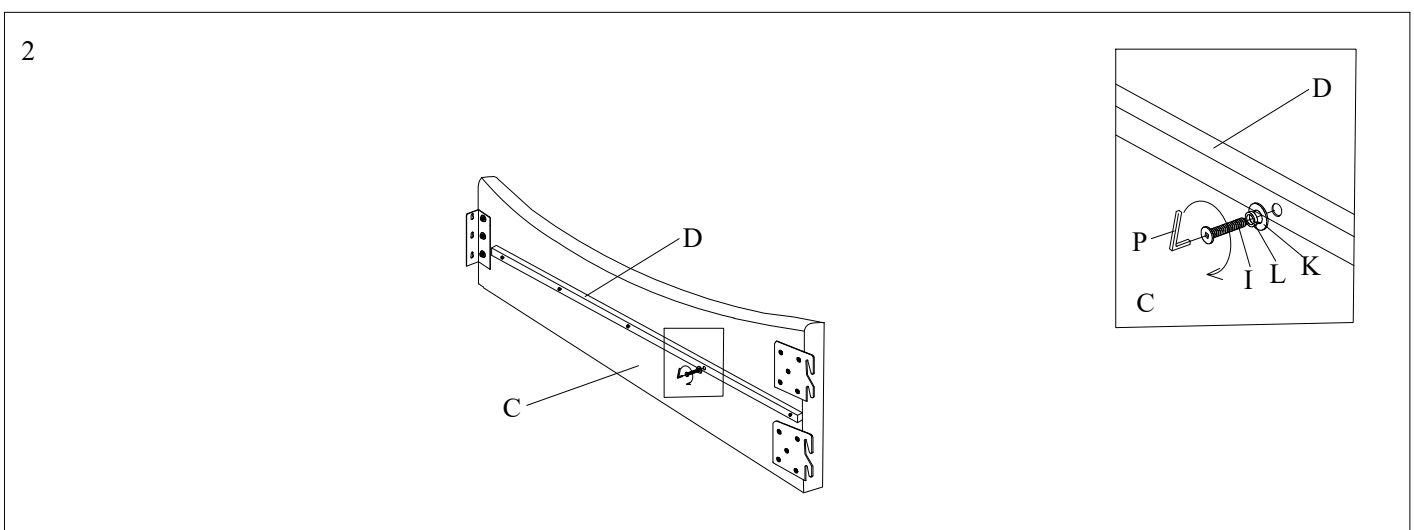
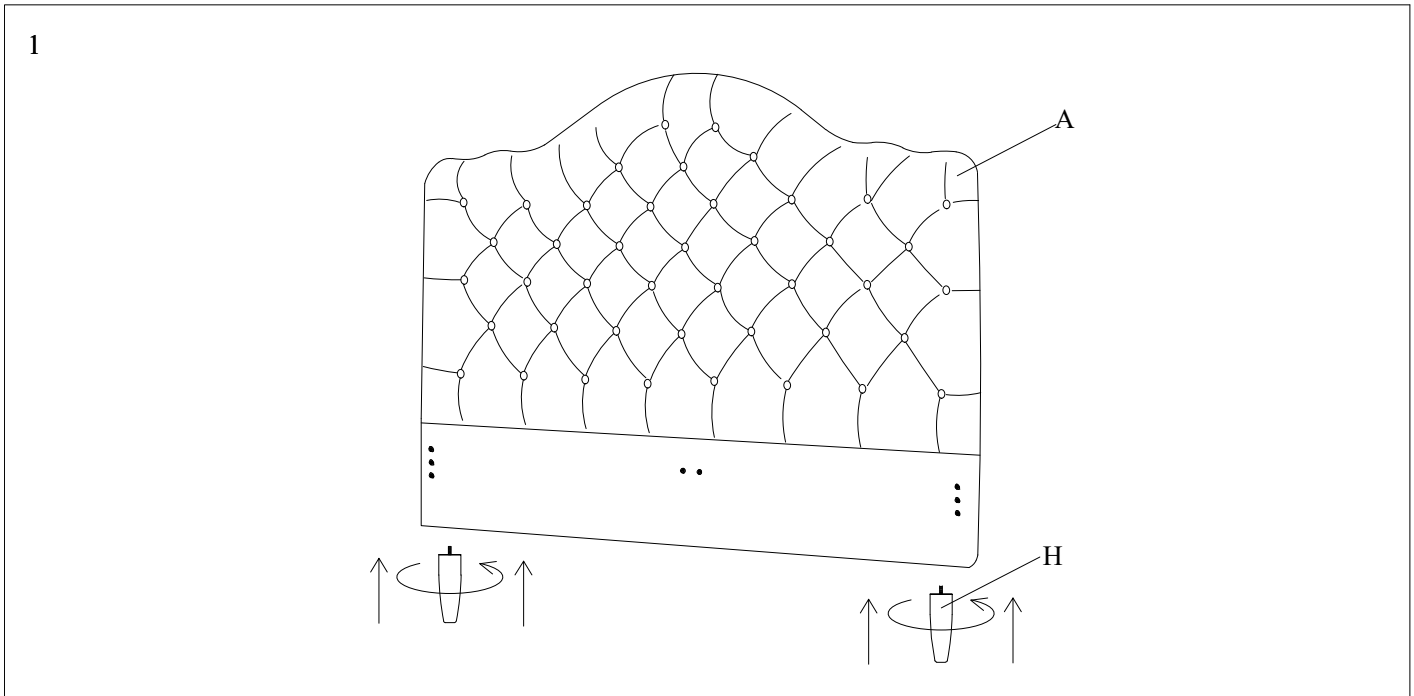
O x 1 pc(4mm)

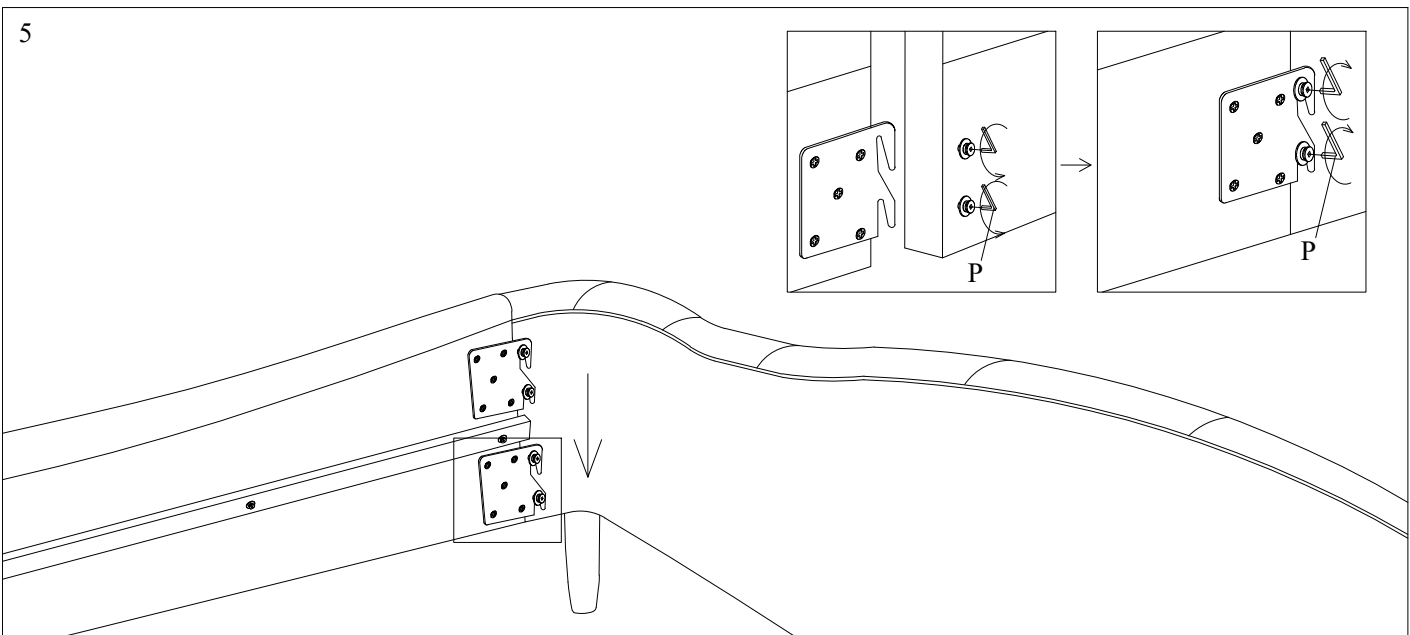
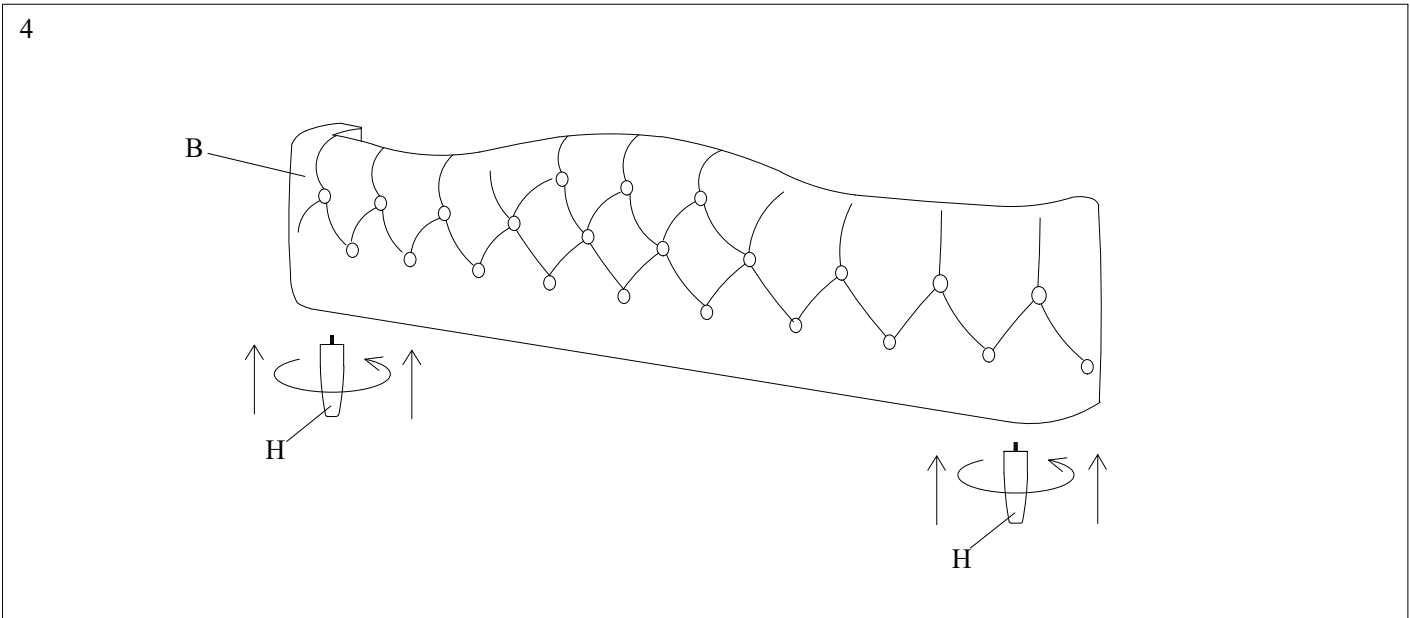
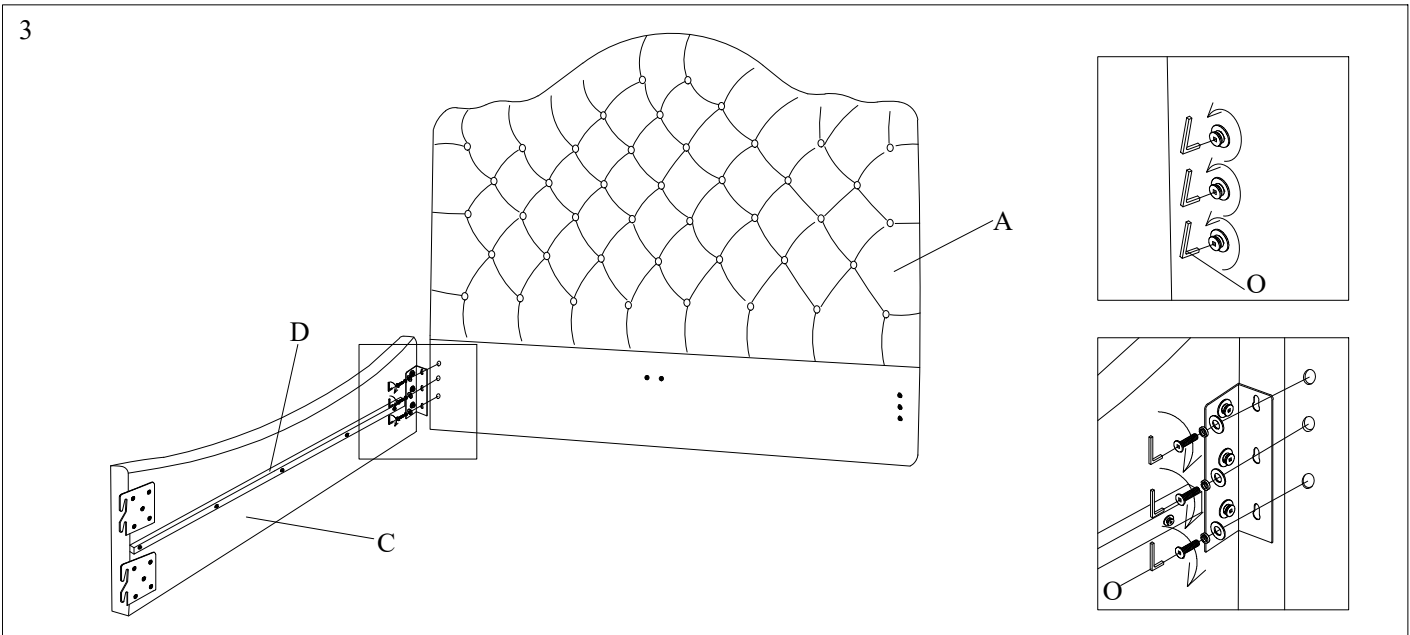


P x 1 pc(5mm)

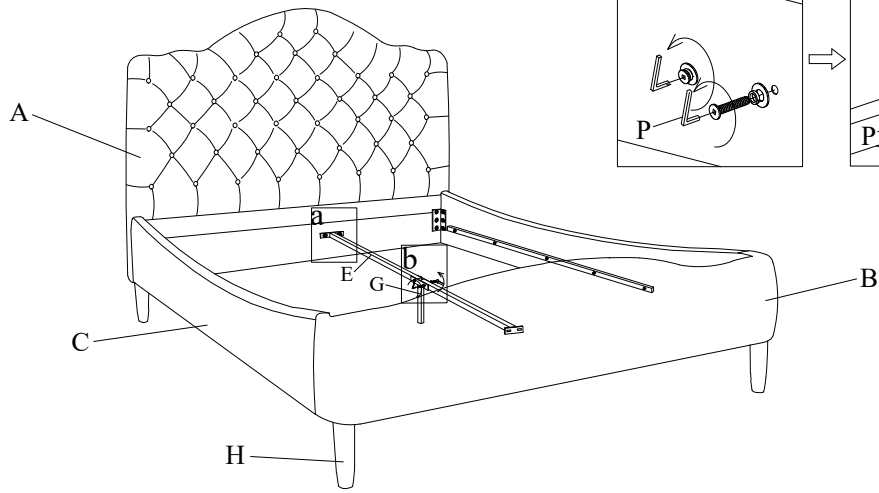


Q x 1 pc(14mm)

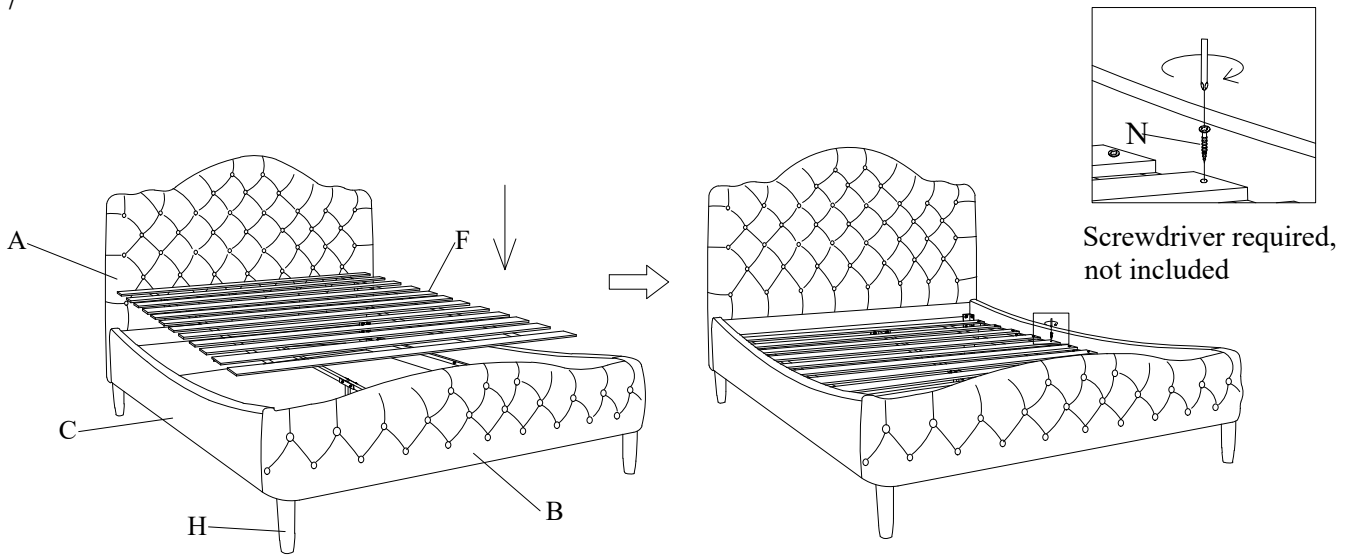




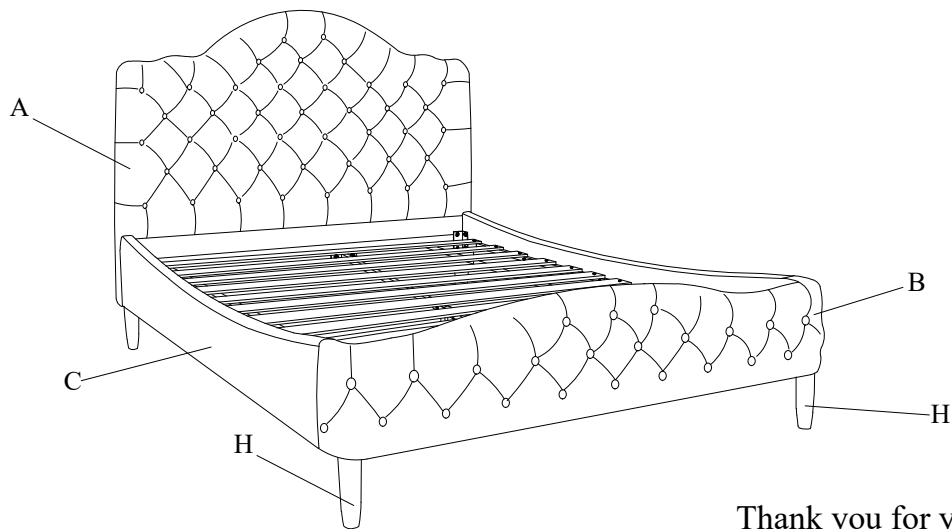
6



7



8



Thank you for your purchase.