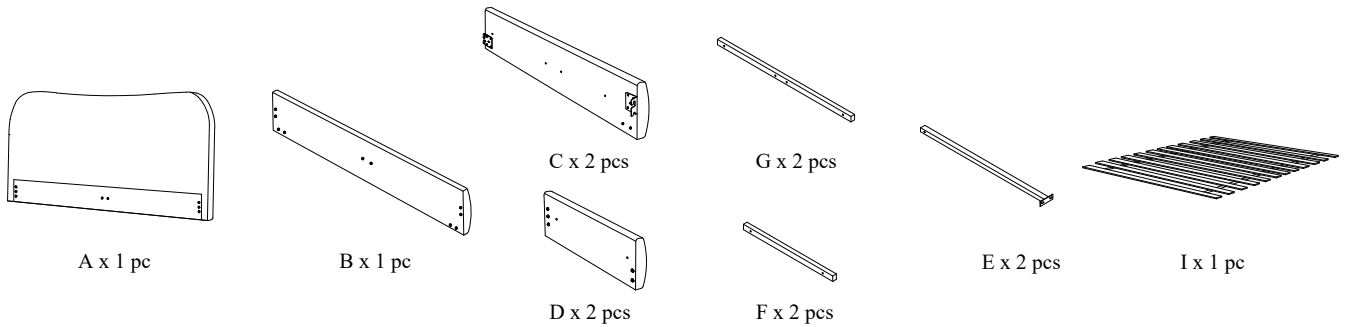


## HEADBOARD SET ASSEMBLY INSTRUCTION (TOTAL 1 BOX)



Please read over the instructions, it will be a time-saver in the long run.

Note: Before assembly, please be sure to work on a soft flat surface to avoid any damage to the finish.

Please leave bolts loosened until all bolts are placed before tightening completely.

Part#	Picture	Description	QTY	Location	Part#	Picture	Description	QTY	Location
H		Center leg	1	Embossed film wrap	U		Spring Washer Ø8	16	Hardware Pack
J		Triangle connection piece	2	Embossed film wrap	V		Flat Washer Ø8x25mm	20	Already in Place
K		Legs	4	Embossed film wrap	W		Spring Washer Ø6	16	Hardware Pack
L		CP2-4	2	Embossed film wrap	X		Flat Washer Ø6x25mm	20	Already in Place
M		Bolt Ø6x30mm	12	Already in Place	Y		Spring Washer Ø10	12	Already in Place
N		Bolt Ø8x30mm	20	Already in Place	Z		Flat Washer Ø10x25mm	12	Already in Place
O		Bolt Ø8x50mm	12	Hardware Pack	ZA		Spanner Ø14	2	Hardware Pack
P		Bolt Ø8x70mm	2	Hardware Pack	ZB		Spanner Ø17	1	Hardware Pack
Q		"L" Wrenches Ø4	1	Hardware Pack	ZC		Screws 4x30mm	1	Hardware Pack
R		"L" Wrenches Ø5	1	Hardware Pack				24	Hardware Pack
S		Nut Ø8	2	Hardware Pack					
T		Nut Ø10	2	Hardware Pack					

