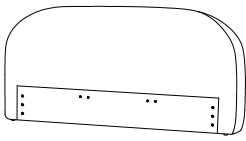
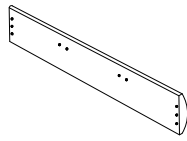


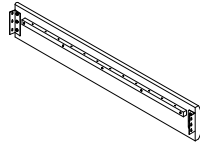
HEADBOARD SET ASSEMBLY INSTRUCTION (TOTAL 1 BOX)



A x 1 pc



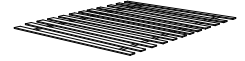
B x 1 pc



C x 2 pcs



E x 4 pcs



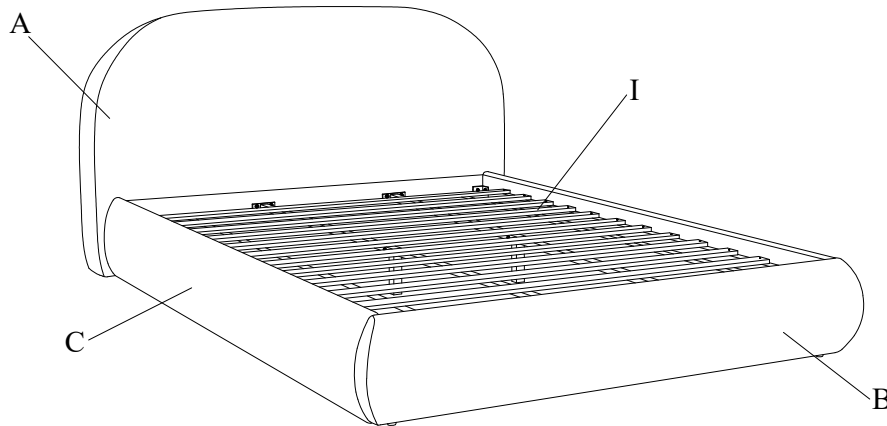
I x 1 pc

Please read over the instructions, it will be a time-saver in the long run.

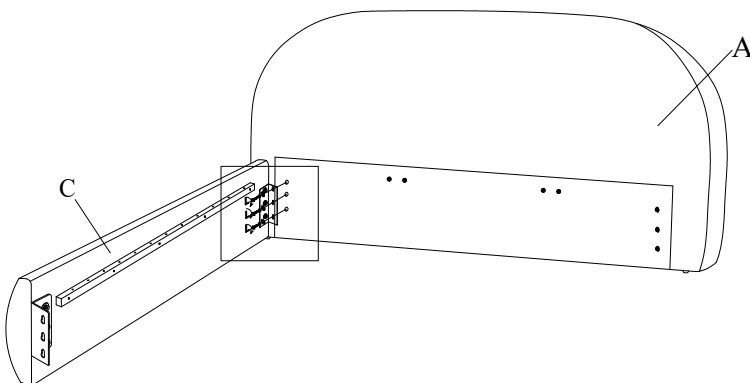
Note: Before assembly, please be sure to work on a soft flat surface to avoid any damage to the finish.

Please leave bolts loosened until all bolts are placed before tightening completely.

Part#	Picture	Description	QTY	Location	Part#	Picture	Description	QTY	Location
H		Center leg	2	Embossed film wrap	Q		Spring Washer Ø8	8	Hardware Pack
J		Bolt Ø6x30mm	12	Already in Place			8	Already in Place	
K		Bolt Ø8x30mm	8	Already in Place	R		Flat Washer Ø8x25mm	8	Hardware Pack
M		Bolt Ø8x70mm	4	Hardware Pack			8	Already in Place	
N		"L" Wrenches Ø4	1	Hardware Pack	S		Spring Washer Ø6	12	Already in Place
O		"L" Wrenches Ø5	1	Hardware Pack	T		Flat Washer Ø6x25mm	12	Already in Place
P		Nut Ø8	4	Hardware Pack	U		Spanner Ø14	1	Hardware Pack
V		Screws 4x30mm	24	Hardware Pack					



1



step1

step2

