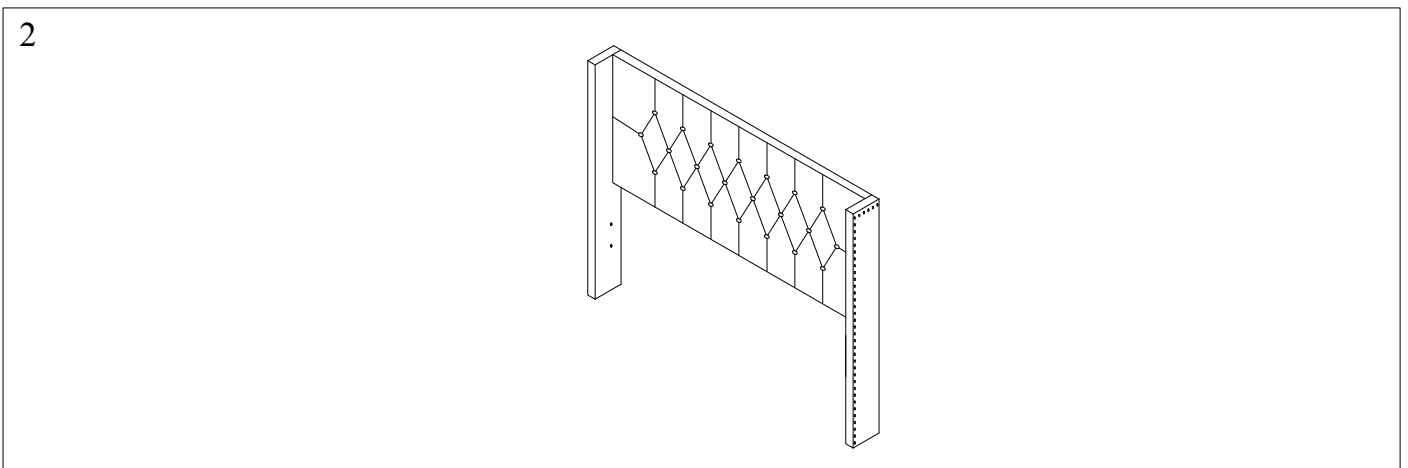
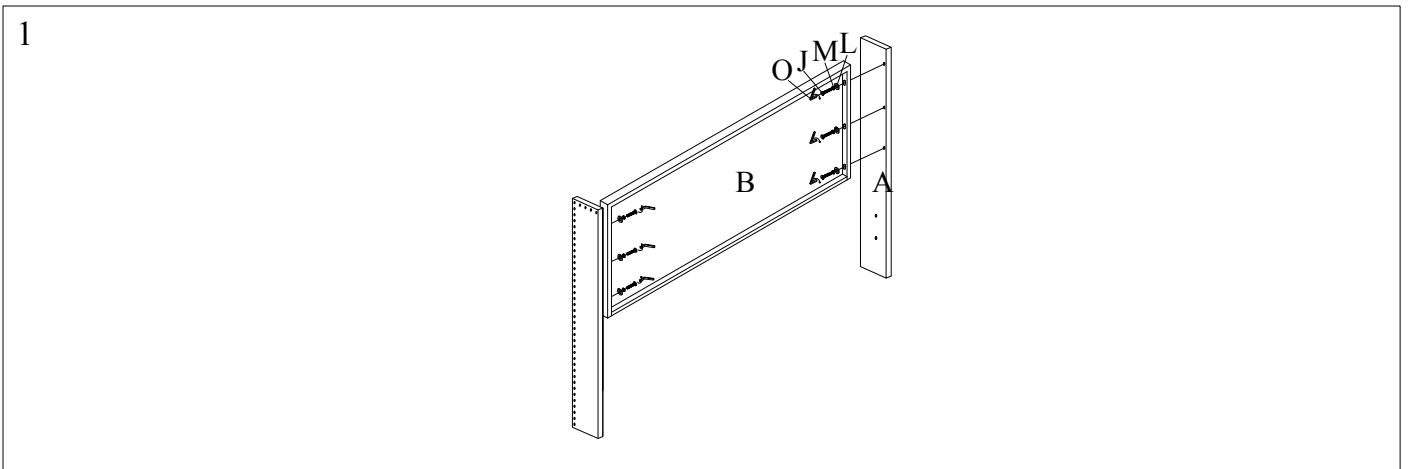
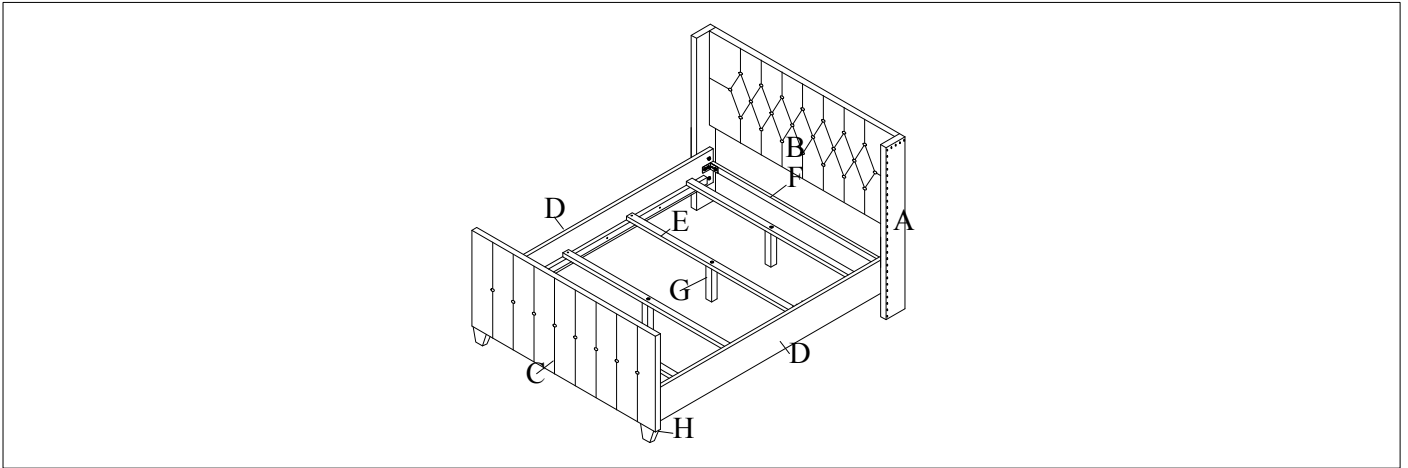
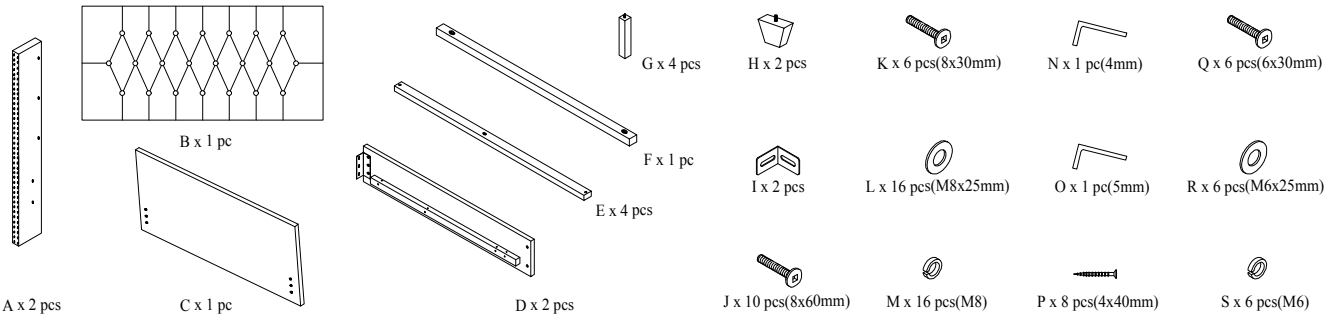
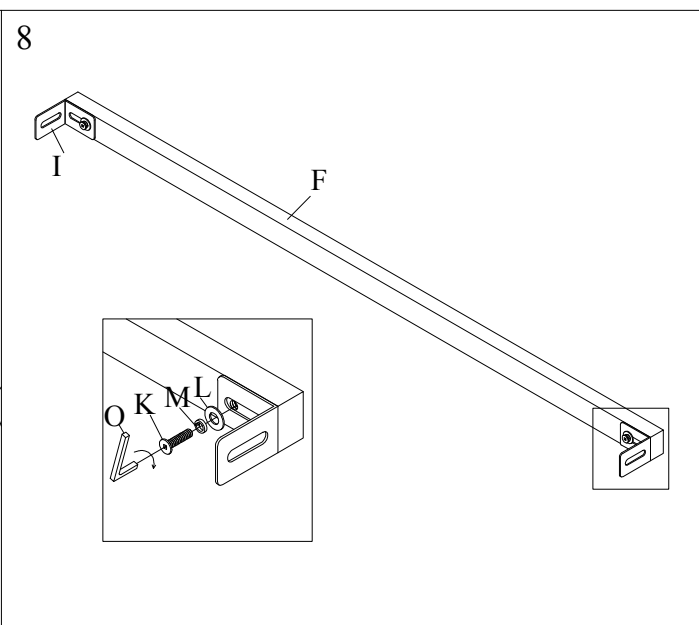
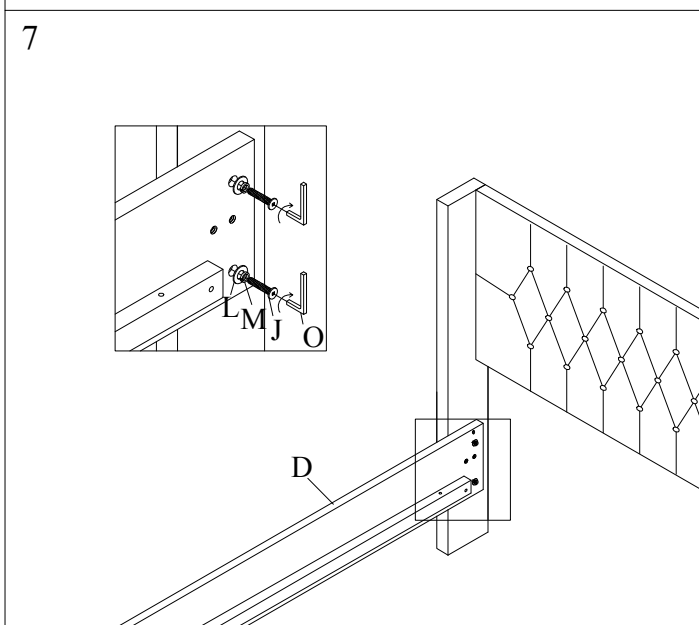
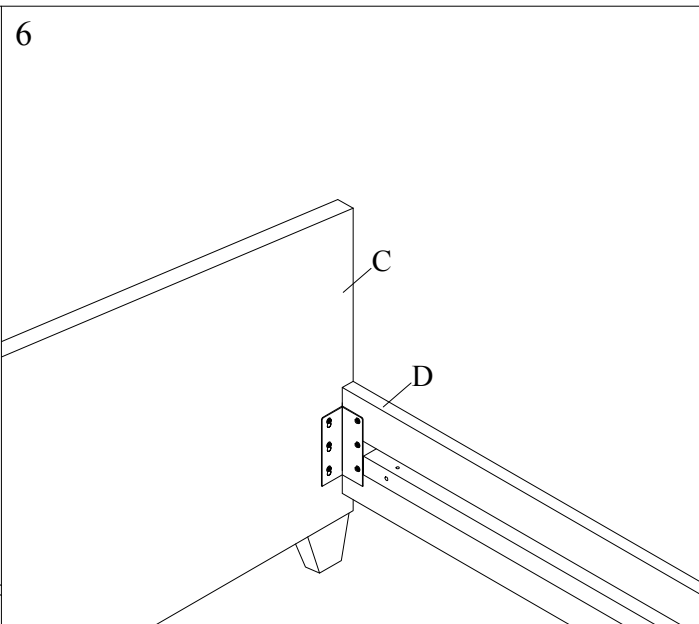
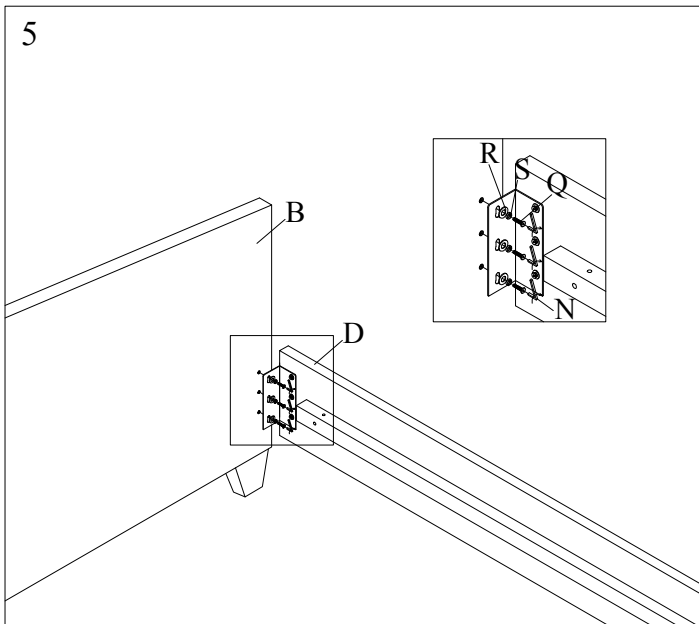
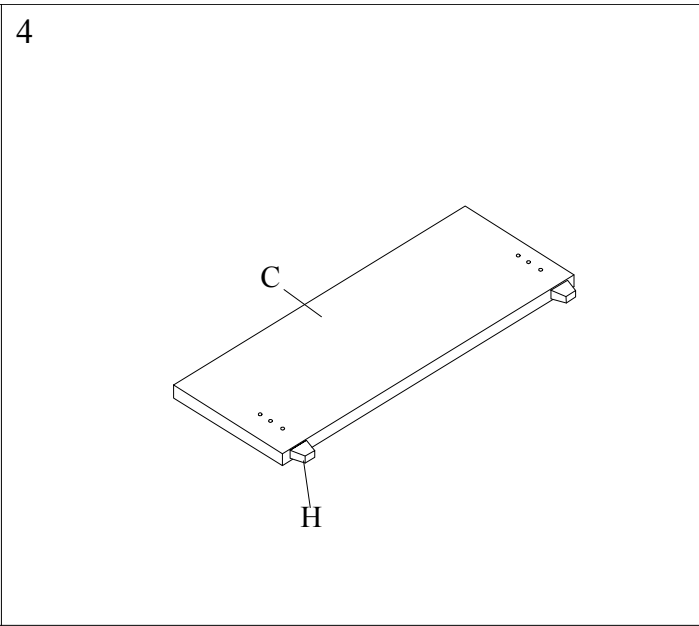
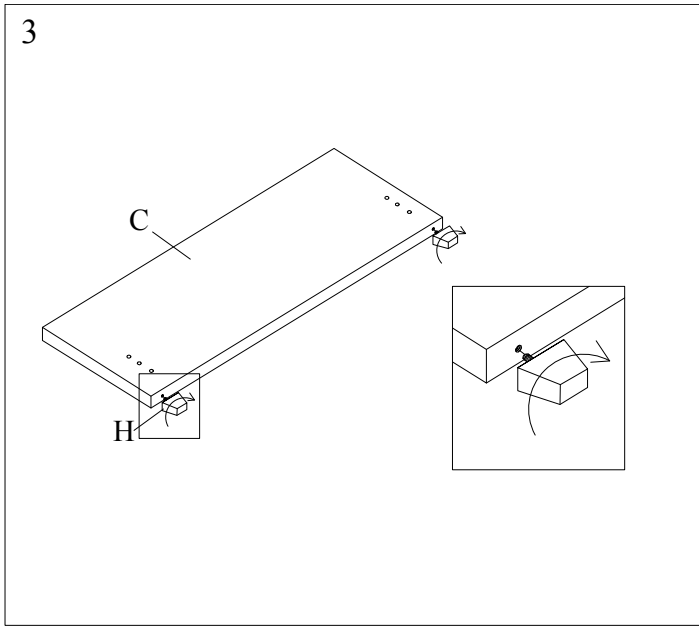
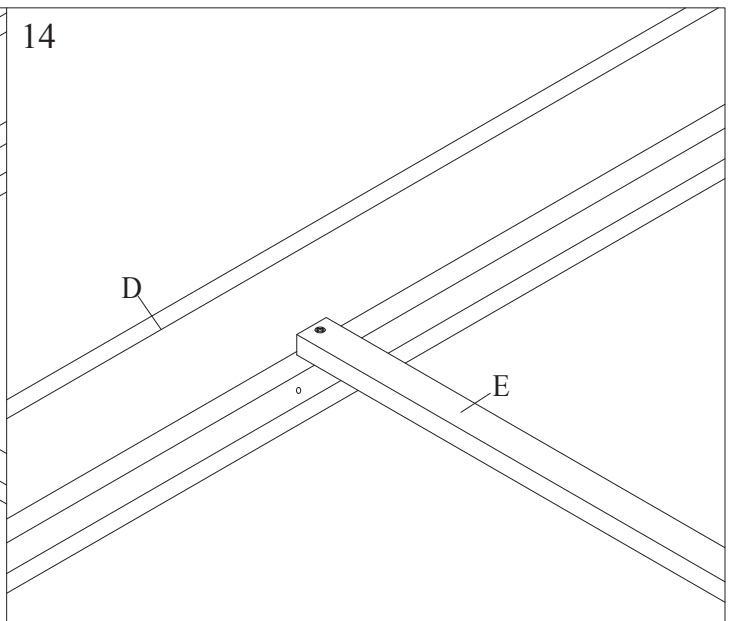
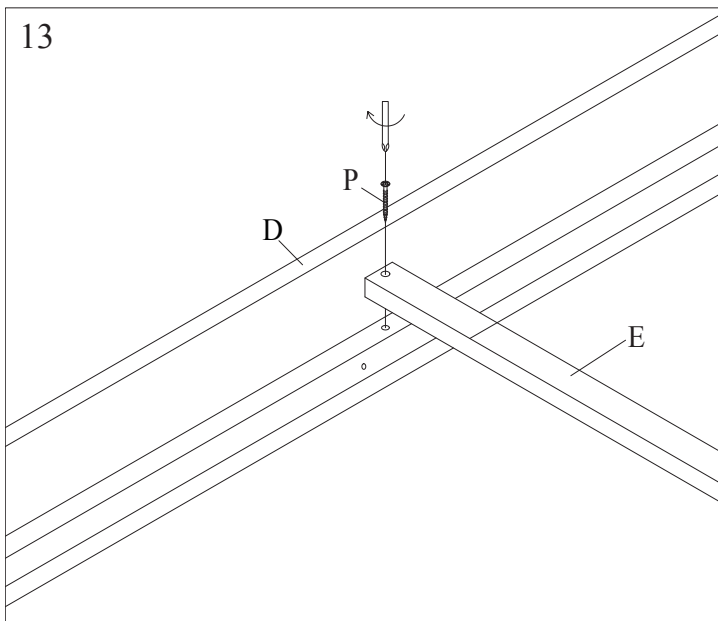
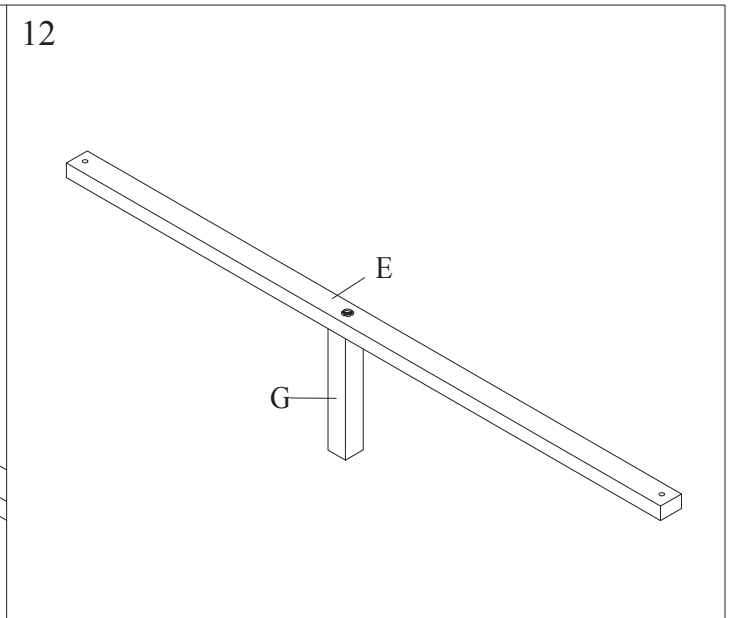
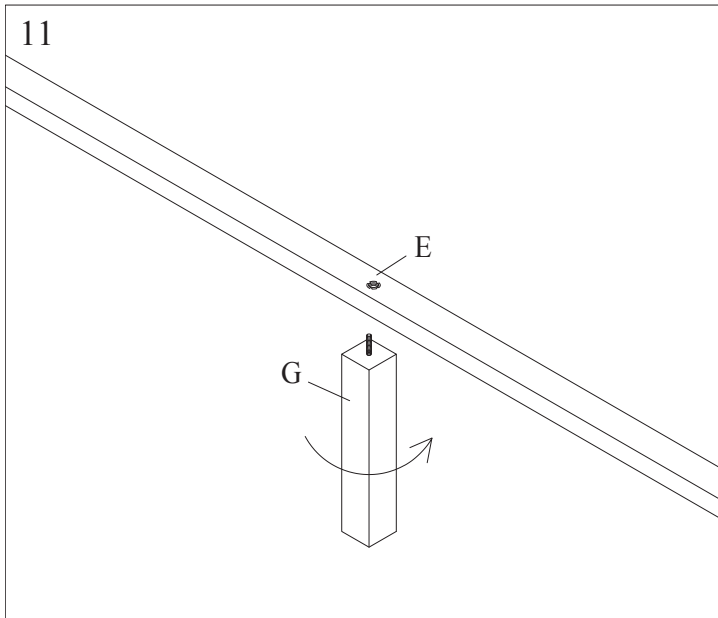
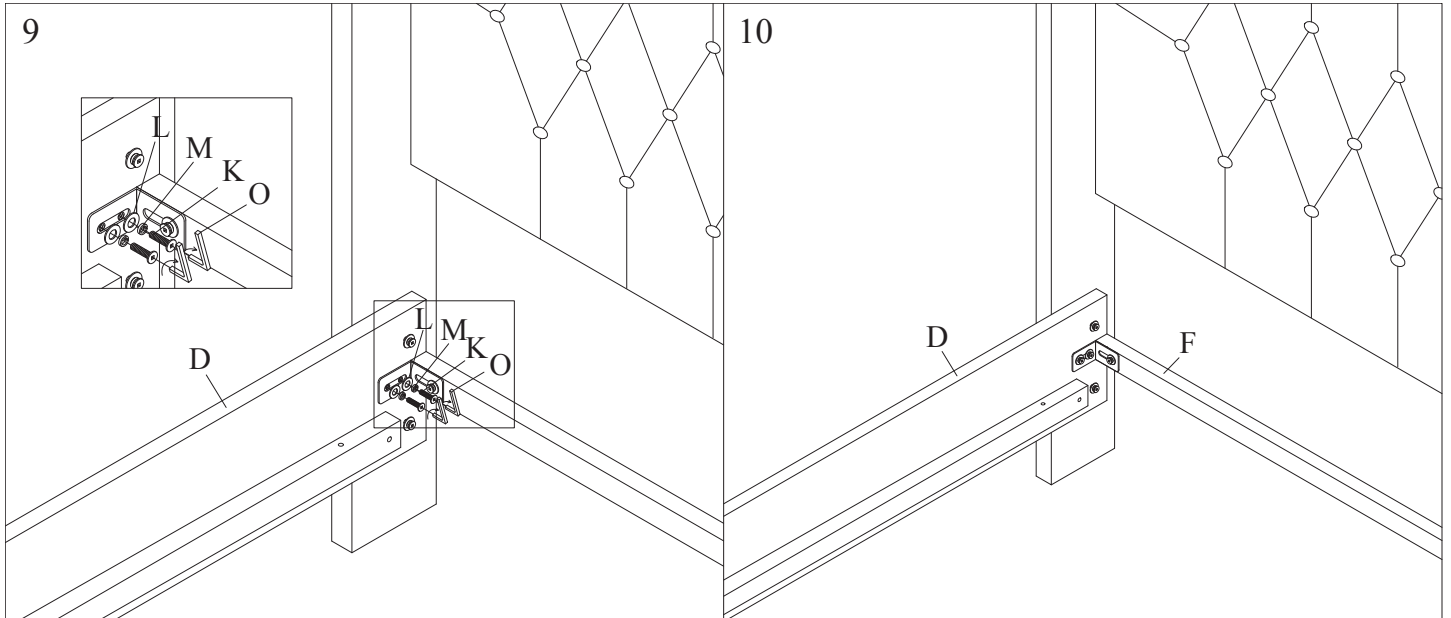


# HEADBOARD SET ASSEMBLY INSTRUCTION (TOTAL 1 BOX)







3-3