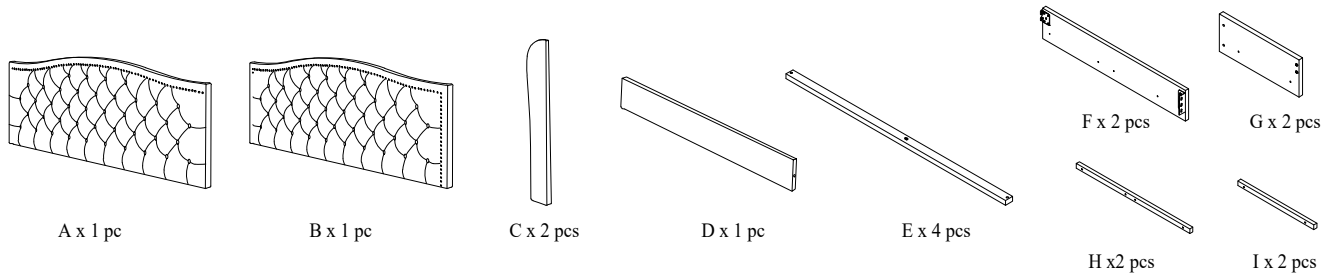


# HEADBOARD SET ASSEMBLY INSTRUCTION (TOTAL 1 BOX)

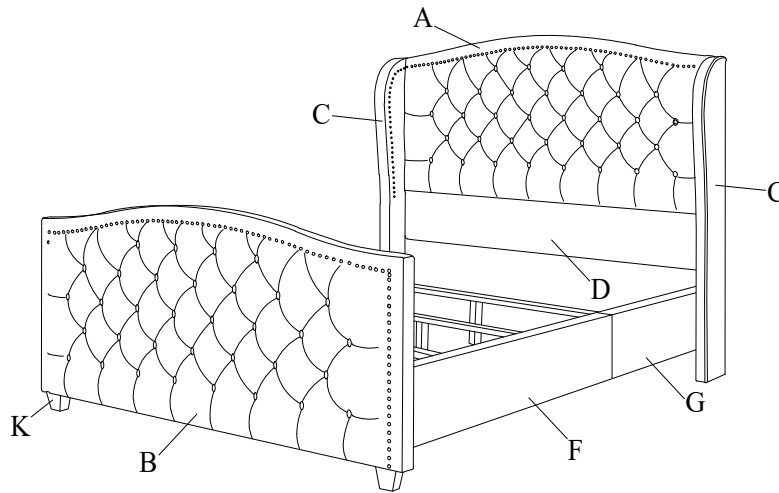


Please read over the instructions, it will be a time-saver in the long run.

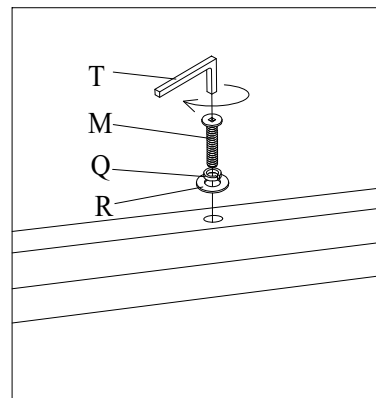
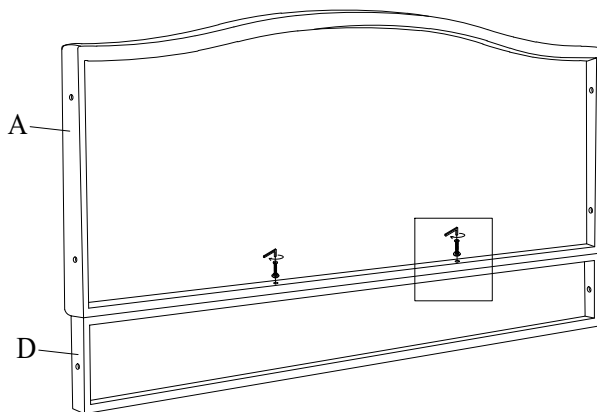
Note: Before assembly, please be sure to work on a soft flat surface to avoid any damage to the finish.

Please leave bolts loosened until all bolts are placed before tightening completely.

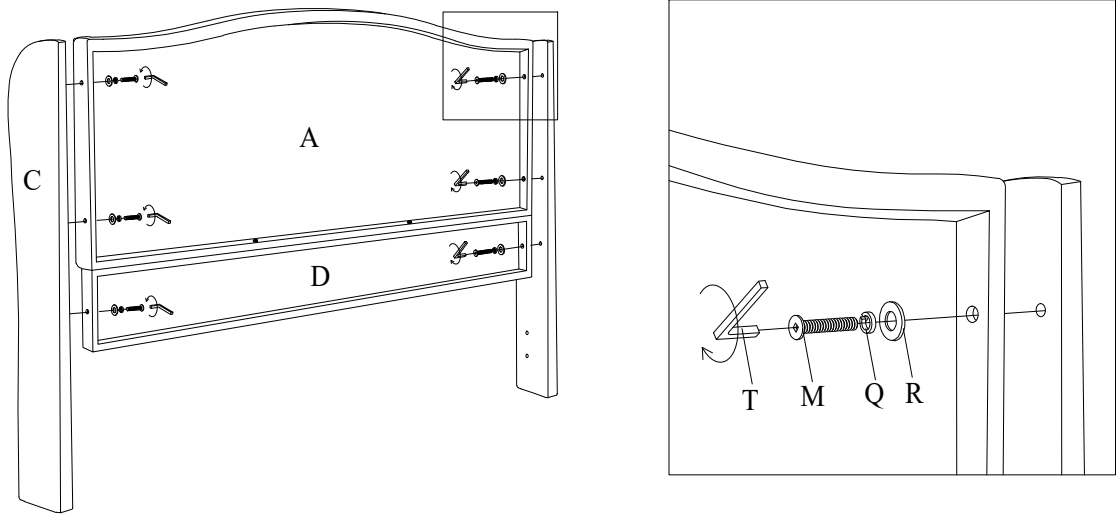
Part#	Picture	Description	QTY	Location	Part#	Picture	Description	QTY	Location
J		Center leg	4	Wrapped in a non-woven bag	Q		Spring Washer Ø8	24	Hardware Pack
K		Legs	2	Wrapped in a non-woven bag	R		Flat Washer Ø8x25mm	24	Hardware Pack
L		Bolt Ø8x30mm	4	Already in Place	S		Screws 4x50mm	8	Hardware Pack
M		Bolt Ø8x60mm	24	Hardware Pack	T		"L" Wrenches Ø5	1	Hardware Pack
N		Bolt Ø6x30mm	6	Already in Place	U		"L" Wrenches Ø4	1	Hardware Pack
O		Spring Washer Ø6	6	Already in Place					
P		Flat Washer Ø6x20mm	6	Already in Place					



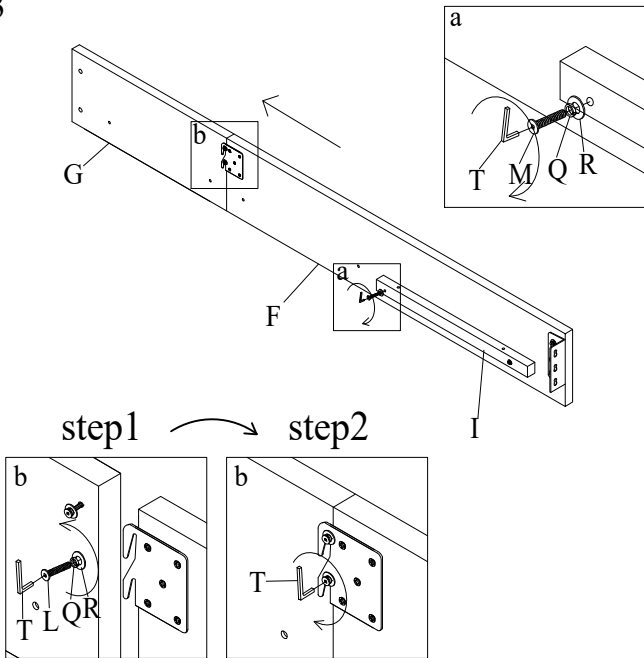
1



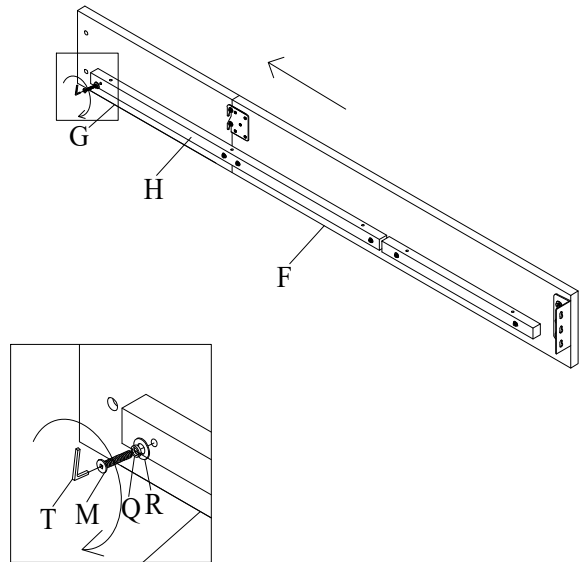
2



3



4



5

