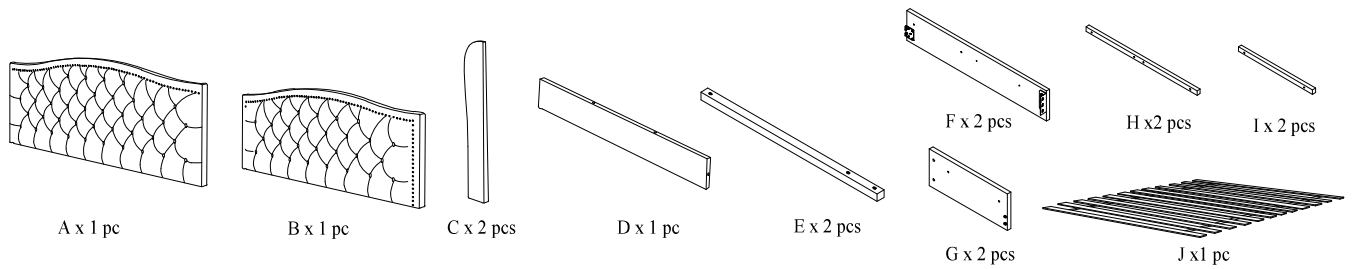


## HEADBOARD SET ASSEMBLY INSTRUCTION (TOTAL 1 BOX)

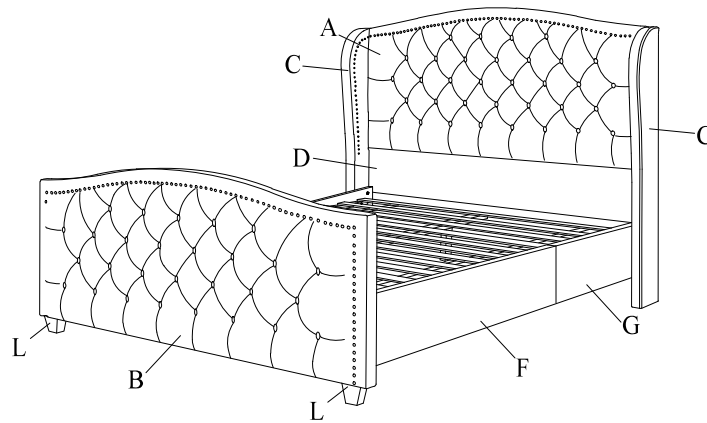


Please read over the instructions, it will be a time-saver in the long run.

Note: Before assembly, please be sure to work on a soft flat surface to avoid any damage to the finish.

Please leave bolts loosened until all bolts are placed before tightening completely.

Part#	Picture	Description	QTY	Location	Part#	Picture	Description	QTY	Location
K		Center leg	3	Wrapped in a non-woven bag	T		Spring Washer Ø8	27	Hardware Pack
L		Legs	2	Wrapped in a non-woven bag				5	Already in Place
M		Bolt Ø8x30mm	5	Already in Place	U		Flat Washer Ø8x25mm	27	Hardware Pack
N		Bolt Ø8x40mm	9	Hardware Pack				5	Already in Place
O		Bolt Ø8x60mm	18	Hardware Pack	V		Middle beam connector	1	Wrapped in a non-woven bag
P		Bolt Ø6x30mm	6	Already in Place	W		"L" Wrenches Ø5	1	Hardware Pack
Q		Spring Washer Ø6	6	Already in Place	X		"L" Wrenches Ø4	1	Hardware Pack
R		Flat Washer Ø6x20mm	6	Already in Place	Y		Cp3-1	1	Wrapped in a non-woven bag
S		Screws 4x40mm	36	Hardware Pack					



1

