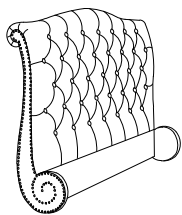
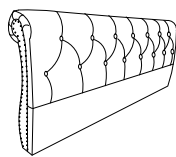


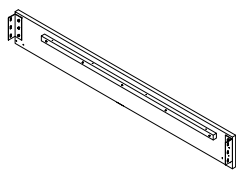
# HEADBOARD AND FOOTBOARD SET ASSEMBLY INSTRUCTION (TOTAL 1 BOX)



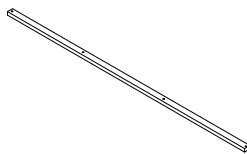
A x 1 pc



B x 1 pc



C x 2 pcs



D x 4 pcs



E x 4 pcs



F x 2 pcs



G x 8 pcs(M8x30)



H x 10 pcs(M8)



I x 10 pcs(M8x25mm)



J x 2 pcs(M8)



K x 1 pc(5mm)



L x 8 pcs



M x 12 pcs(M6x30)



N x 12 pcs(M6)



O x 12 pcs(M6x20mm)



P x 1 pc(14mm)

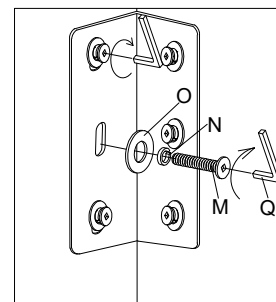
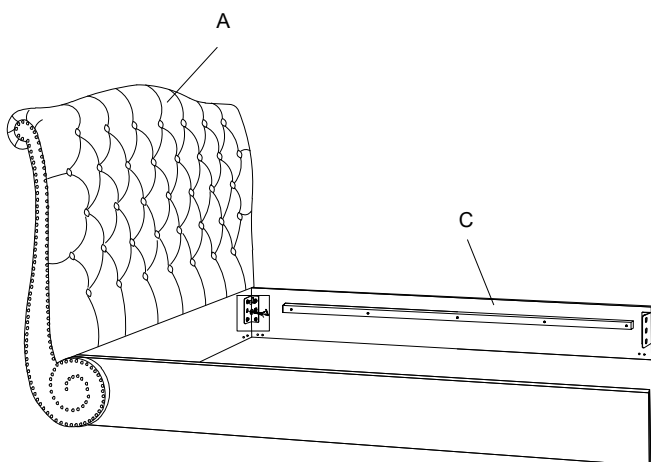


Q x 1 pc(4mm)



R x 8 pcs(4x40mm)

1



2

