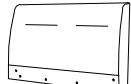


SETTEE ASSEMBLY INSTRUCTION (TOTAL 1 BOX)



A x 1 pc



B x 1 pc



C x 2 pcs



D x 4 pcs



E x 6 pcs (8x50mm)



F x 12 pcs (8x30mm)



G x 18 pcs(M8)

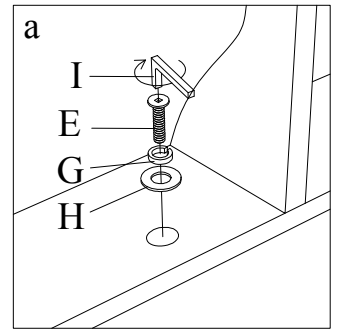
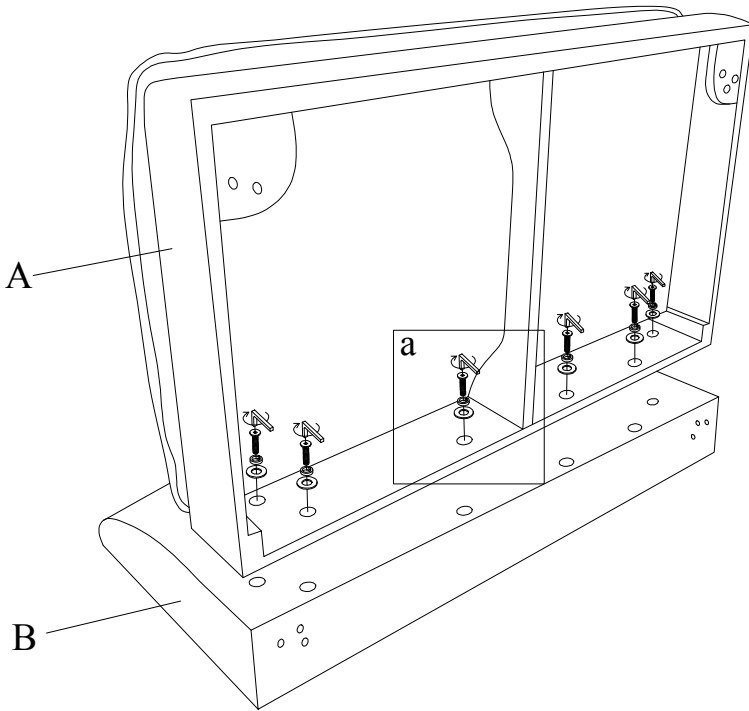


H x 18 pcs(M8x25mm)

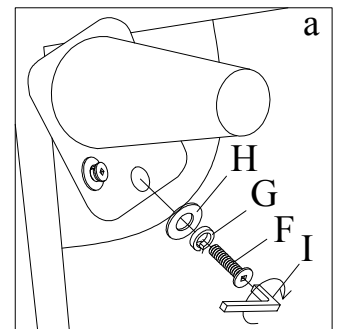
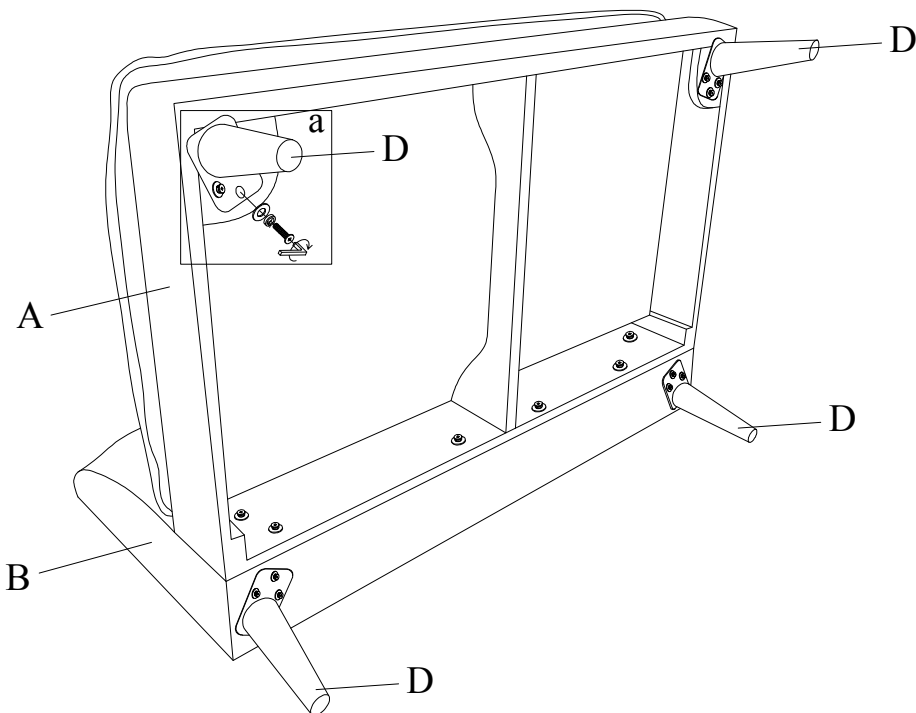


I x 1 pc (5mm)

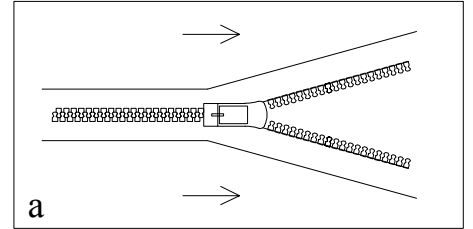
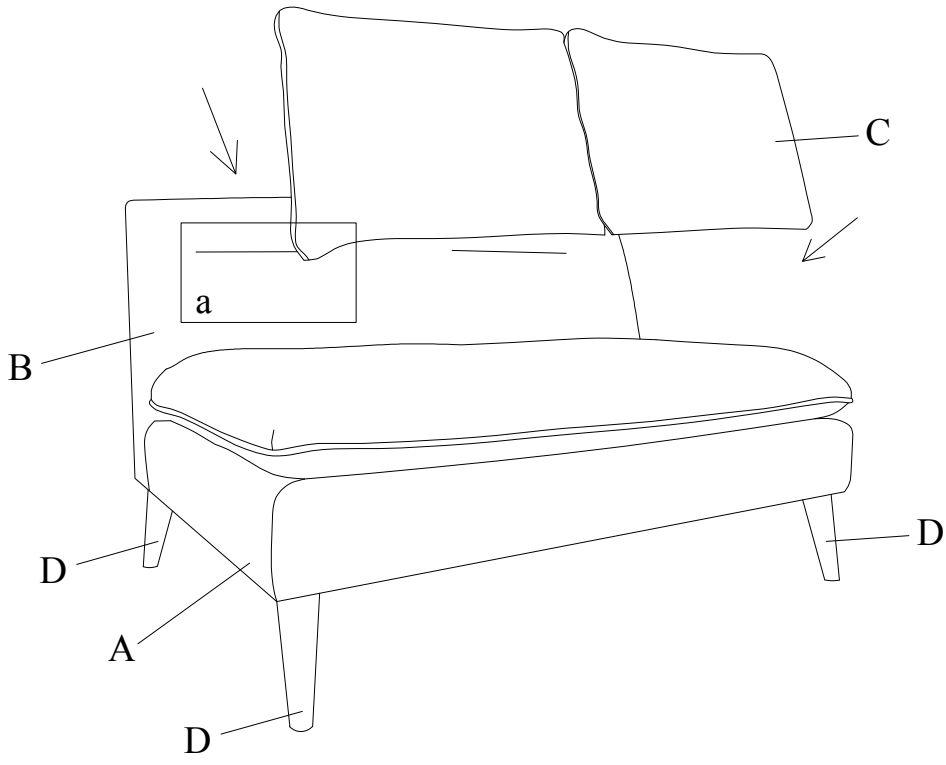
1



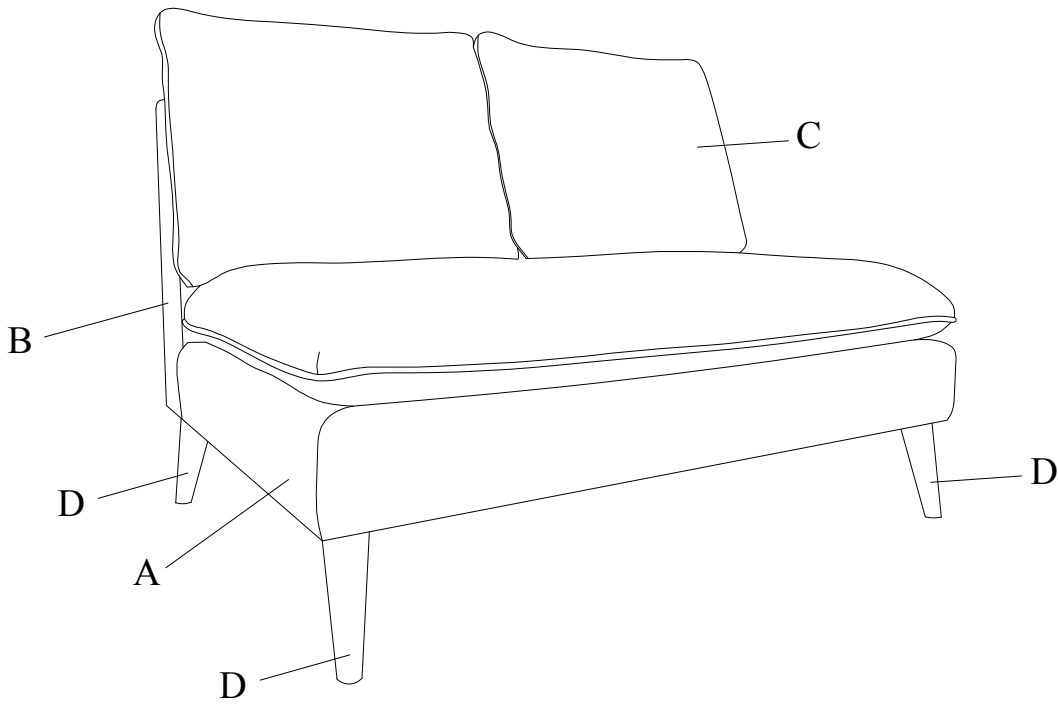
2



3



4



Thank you for your purchase.