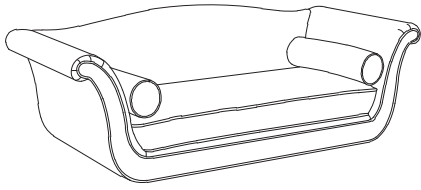


# SETTEE ASSEMBLY INSTRUCTION (TOTAL 1 BOX)



A x 1 pc



B x 4 pcs



C x 12 pcs(8x30mm)



E x 12 pcs(M8)

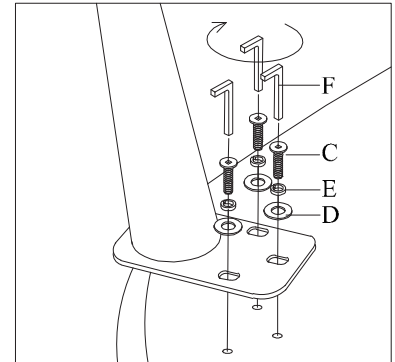
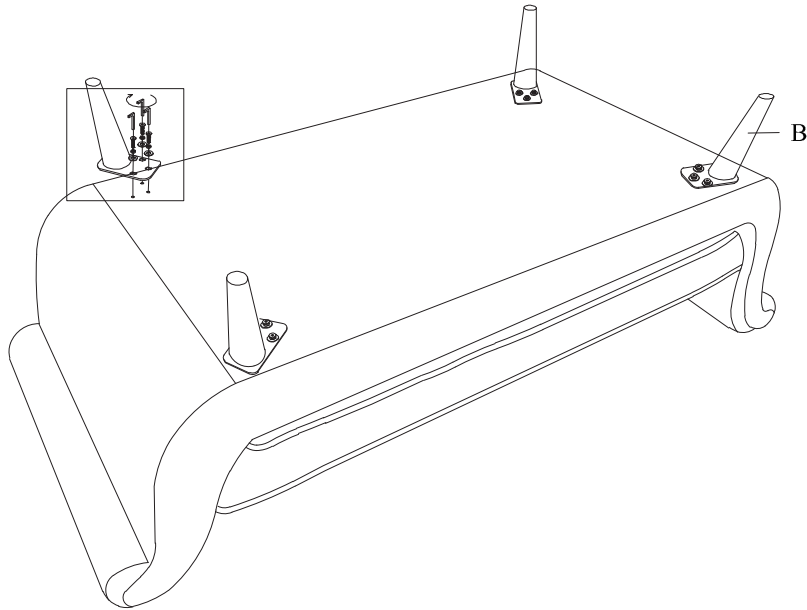


D x 12 pcs(M8x25mm)

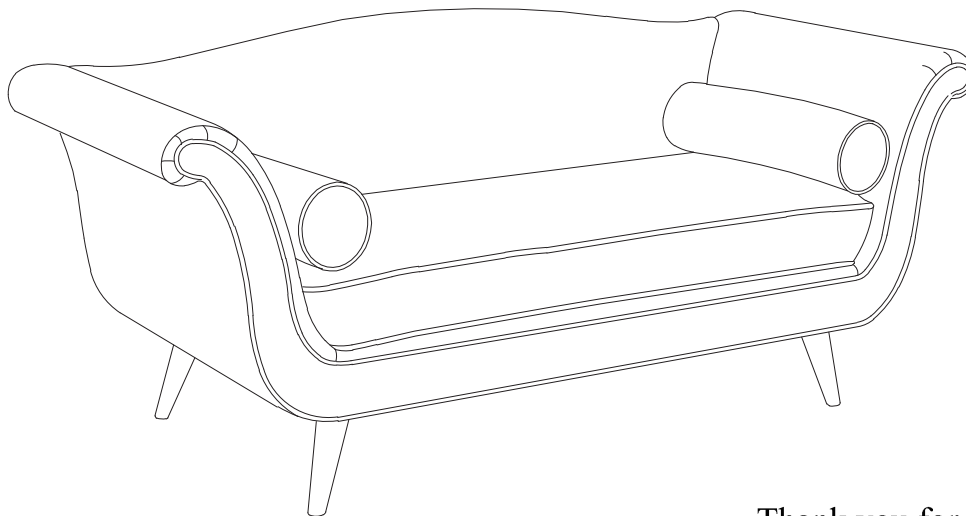


F x 1 pc(5mm)

1



2



Thank you for your purchase.