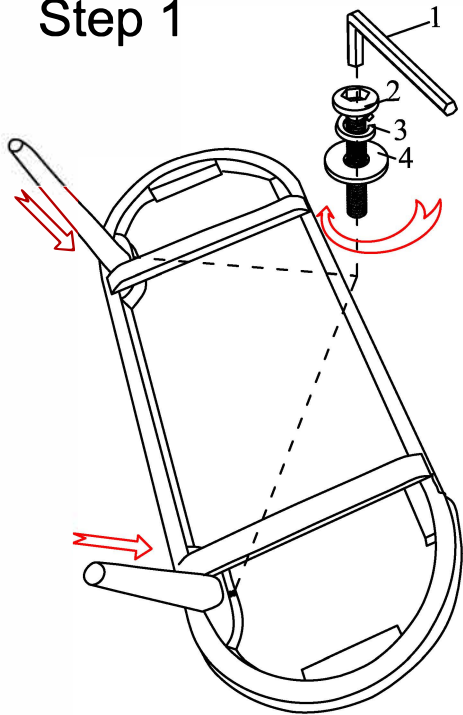


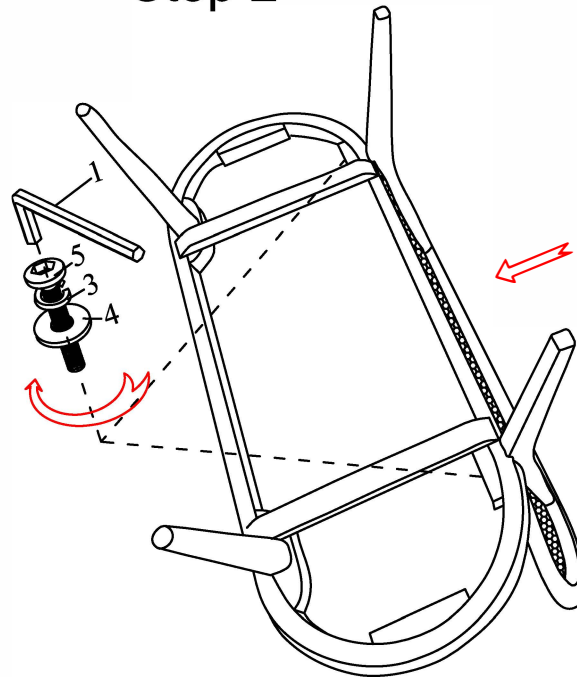
ASSEMBLY INSTRUCTIONS

61370-XXX-MY

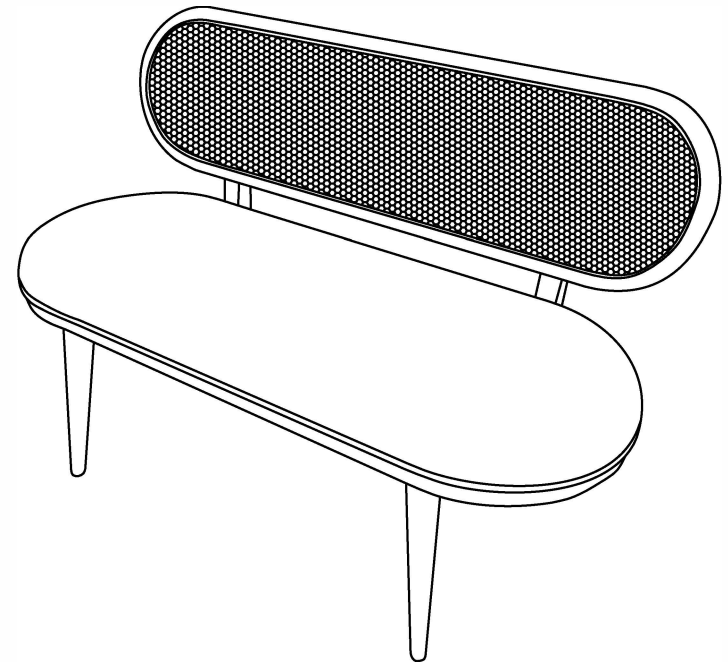
Step 1







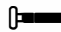
Step 2



Finish



Hardware

1		"L" Wrench	1pc
2		Bolt 8*50mm	4pcs
3		Spring Washer	8pcs
4		Flat Washer	8pcs
5		Bolt 8*90mm	4pcs