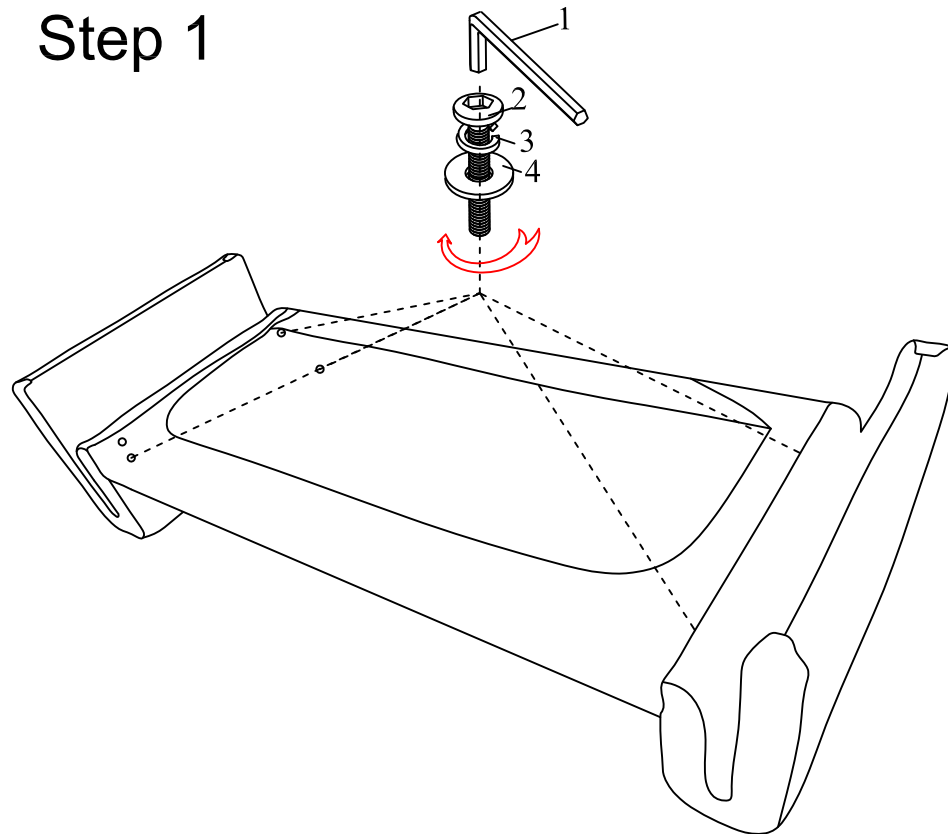


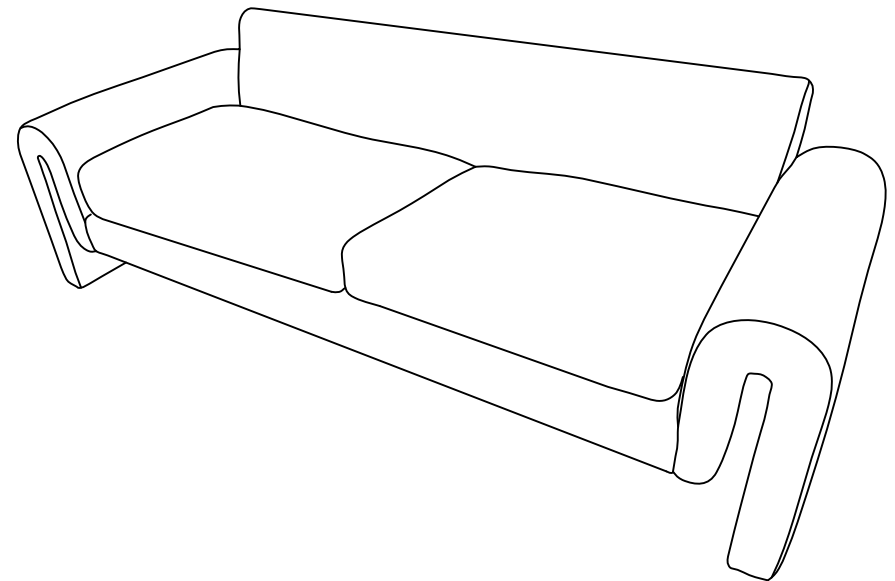
ASSEMBLY INSTRUCTIONS

64320-3-MVN

Step 1



Finish



Please leave bolts loosened until all bolts are placed before tightening completely

Hardware

1		"L" Wrench	1pc
2		Bolt 8*70mm	8pcs
3		Spring Washer	8pcs
4		Flat Washer	8pcs