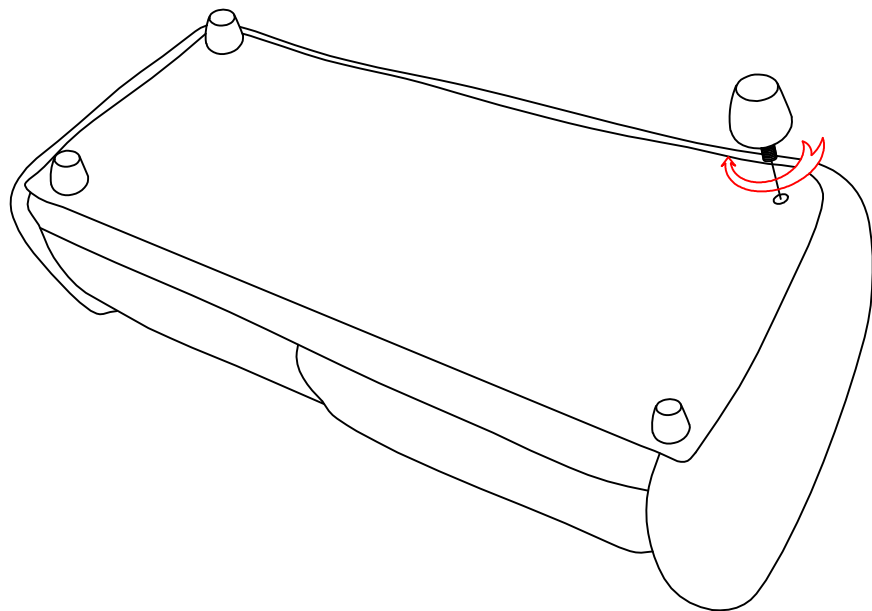


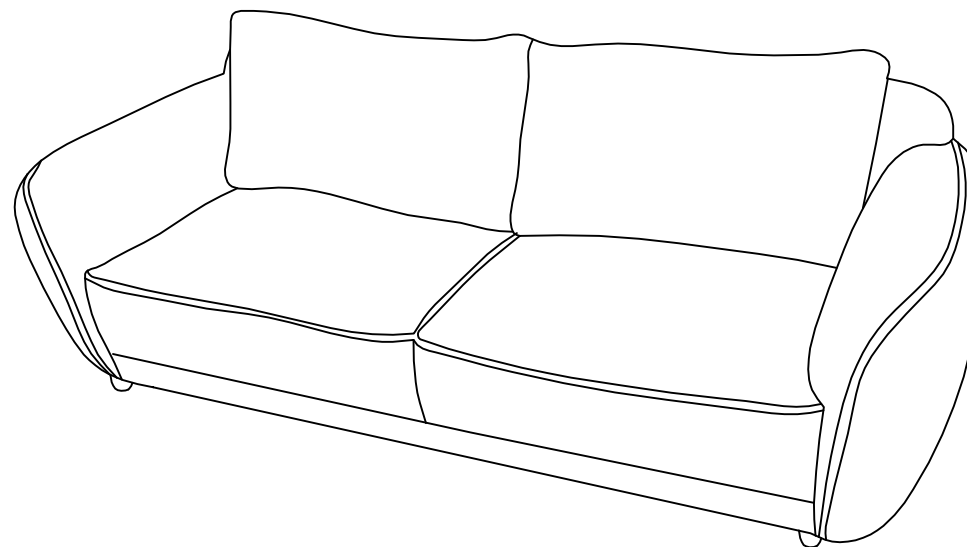
ASSEMBLY INSTRUCTIONS

64550-3-MZI

Step 1



Finish



Please leave bolts loosened until all bolts
are placed before tightening completely