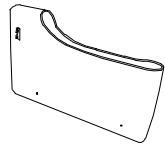
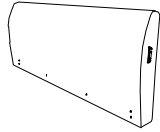


LEFT CHAISE 2-PIECE SECTIONAL ASSEMBLY INSTRUCTION (TOTAL 2 BOXES)



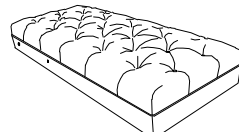
Ax2 pcs



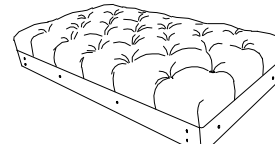
Bx1 pc



Cx1 pc



Dx1 pc



Ex1 pc



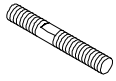
Fx3 pcs



Gx8 pcs



Hx1 pc(6mm)



Ix10 pcs(8x85mm)



Jx1 pc(14mm)



Kx4 pcs(8x60mm)



Lx14 pcs(8x25mm)



Mx14 pcs(M8)



Nx10 pcs(M8)



Ox1 pc(5mm)

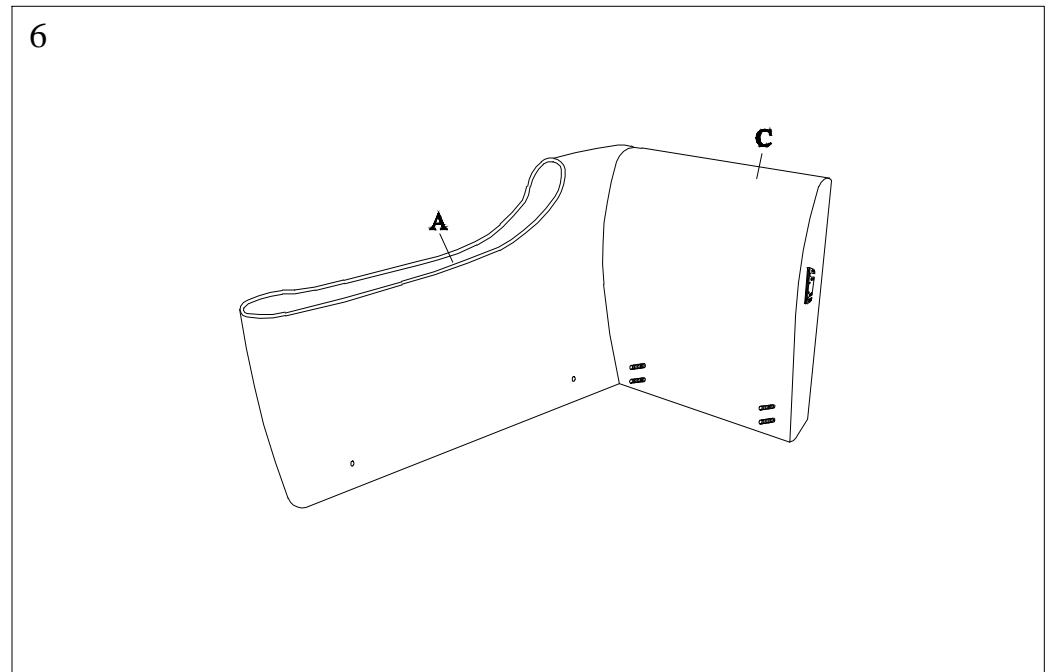
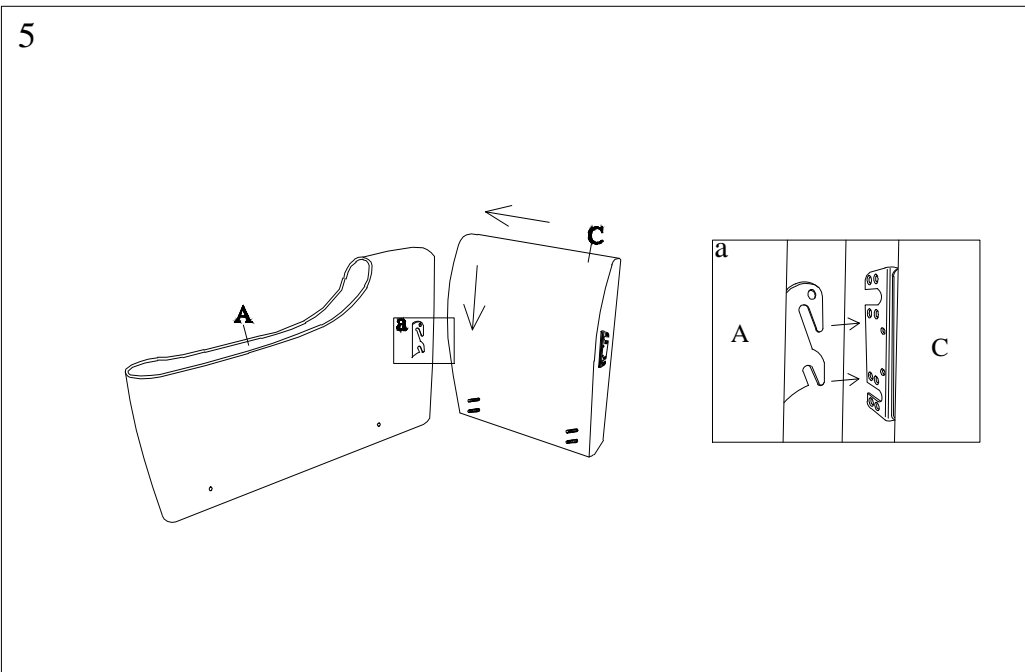
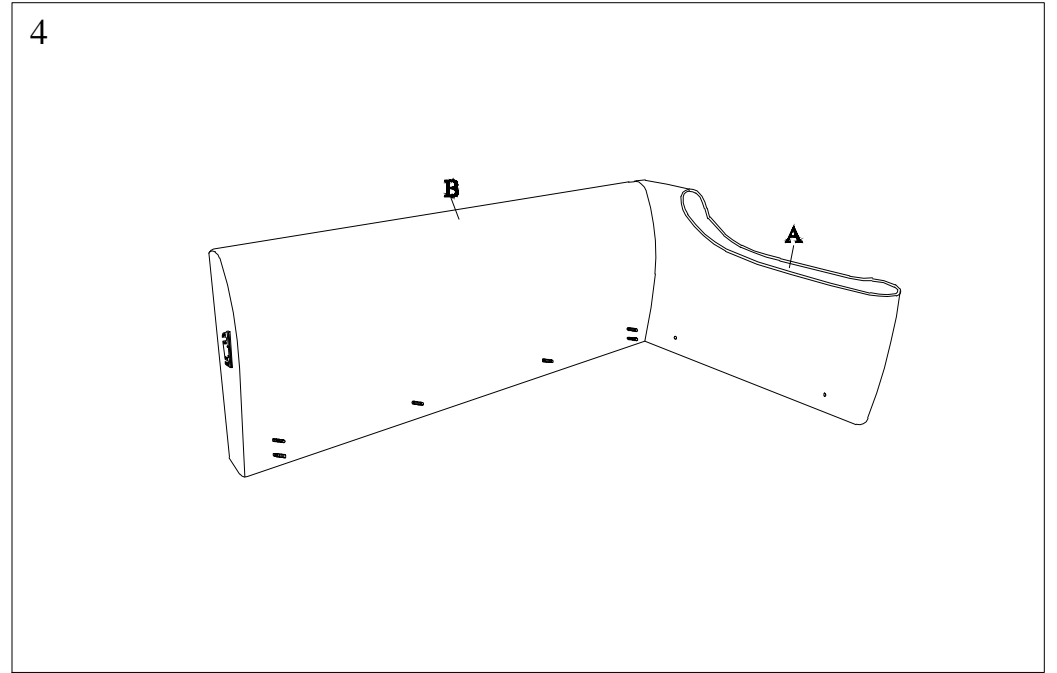
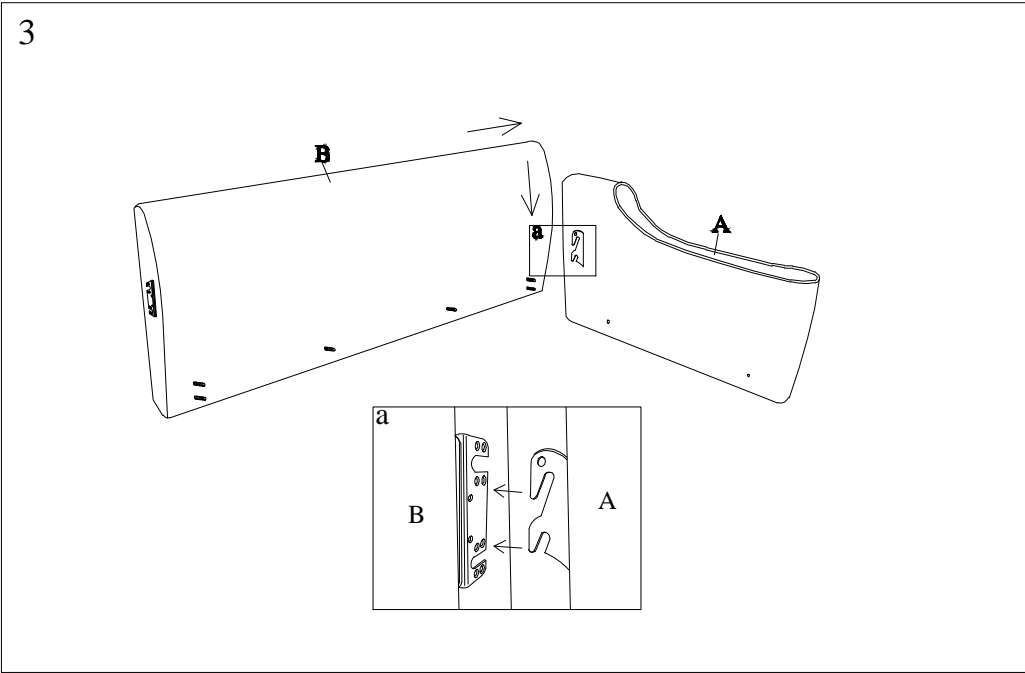
1

Screw the less threaded Part of I into the Part B.

2

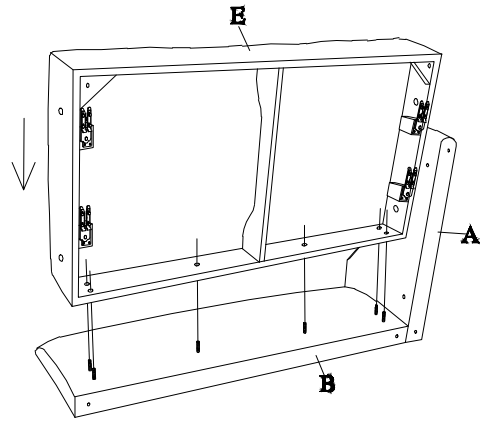
Screw the less threaded Part of I into the Part C.

LEFT CHAISE 2-PIECE SECTIONAL ASSEMBLY INSTRUCTION

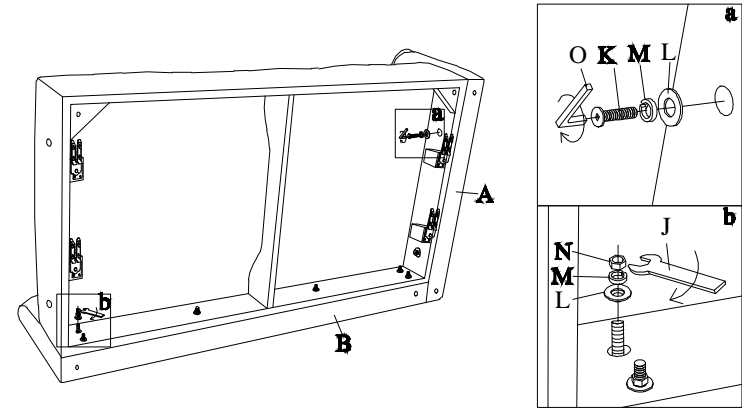


LEFT CHAISE 2-PIECE SECTIONAL ASSEMBLY INSTRUCTION

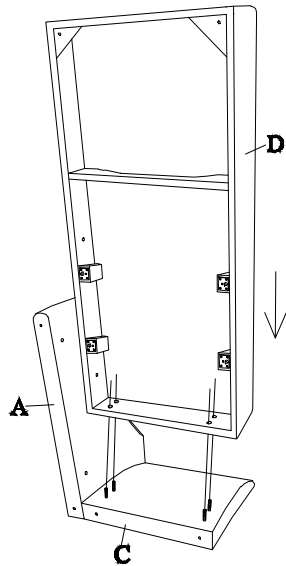
7



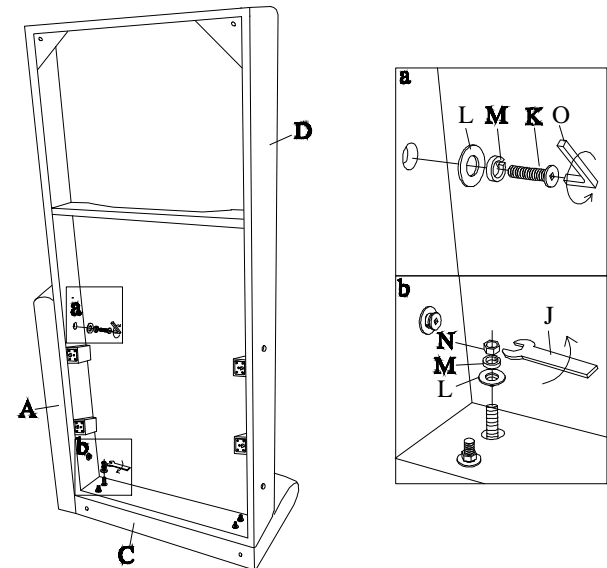
8



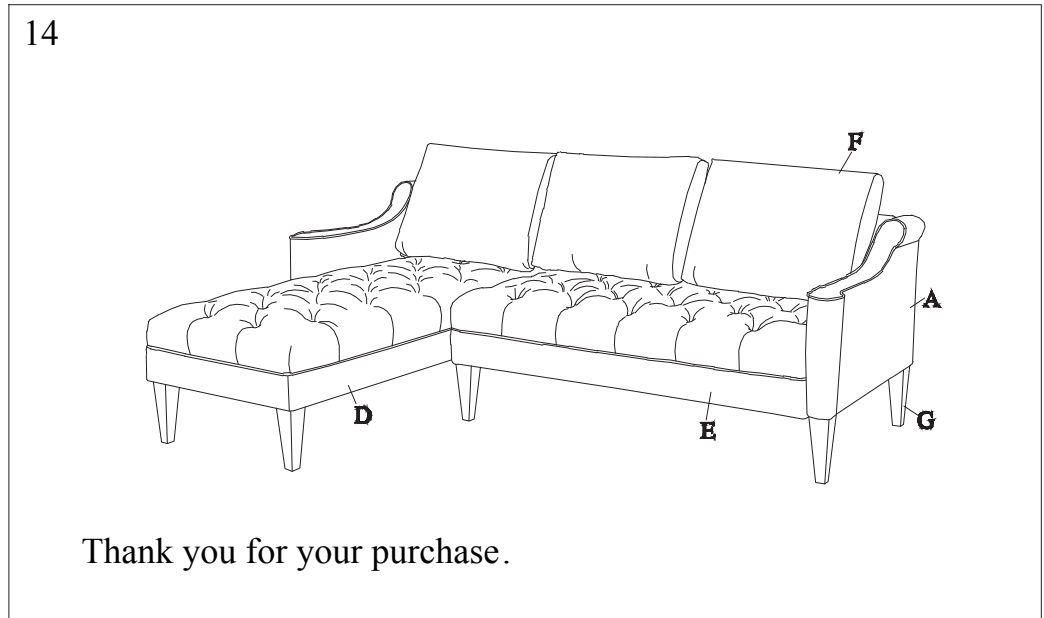
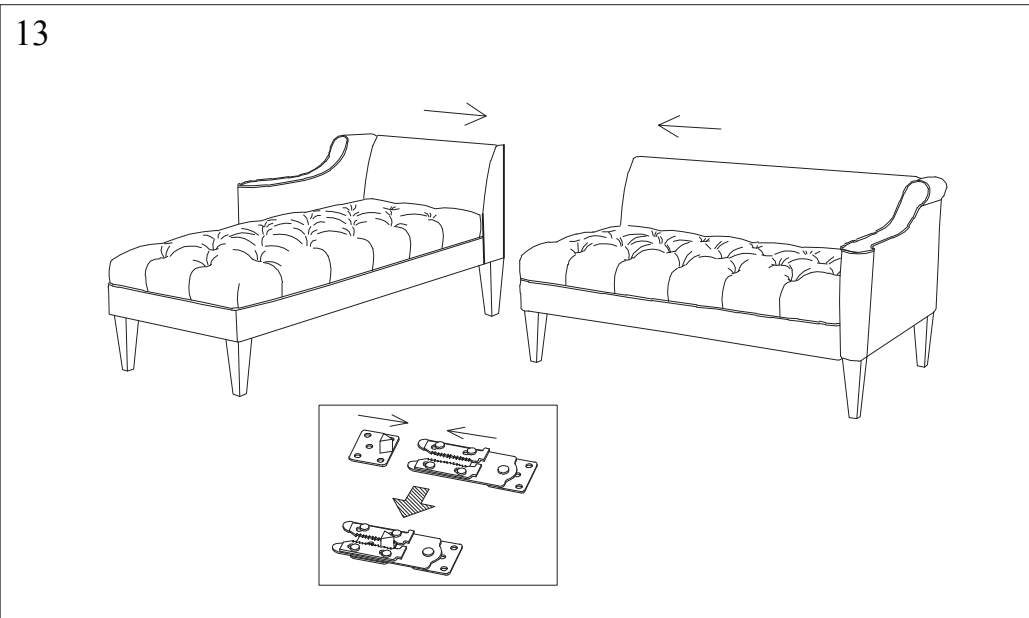
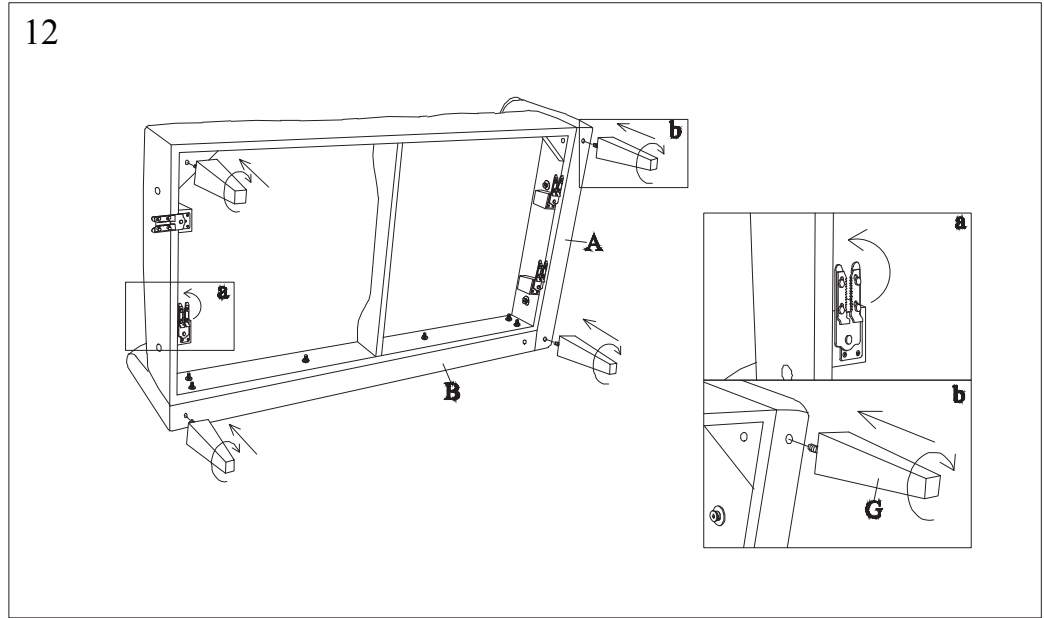
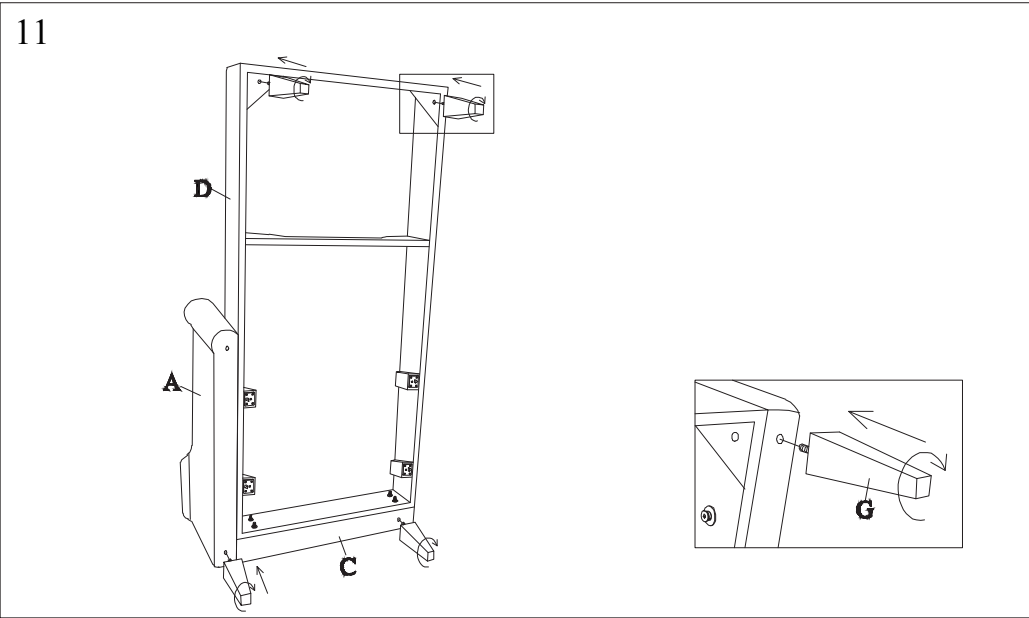
9



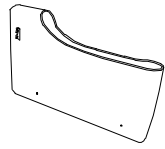
10



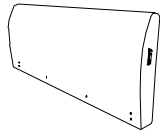
LEFT CHAISE 2-PIECE SECTIONAL ASSEMBLY INSTRUCTION



RIGHT CHAISE 2-PIECE SECTIONAL ASSEMBLY INSTRUCTION (TOTAL 2 BOXES)



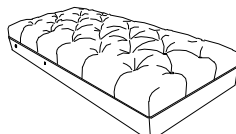
Ax2 pcs



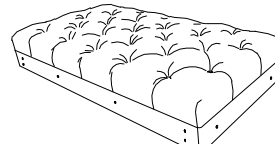
Bx1 pc



Cx1 pc



Dx1 pc



Ex1 pc



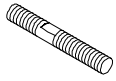
Fx3 pcs



Gx8 pcs



Hx1 pc(6mm)



Ix10 pcs(8x85mm)



Jx1 pc(14mm)



Kx4 pcs(8x60mm)



Lx14 pcs(8x25mm)



Mx14 pcs(M8)

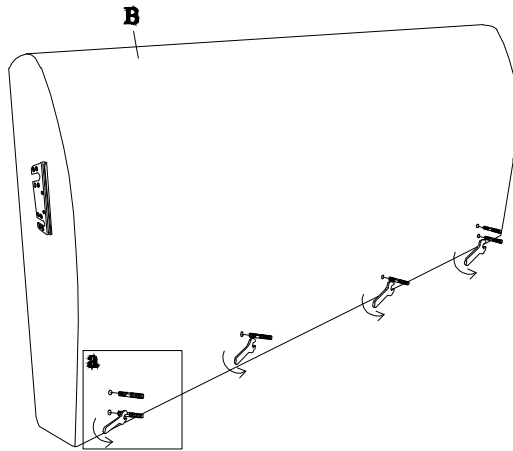
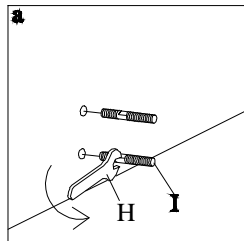


Nx10 pcs(M8)



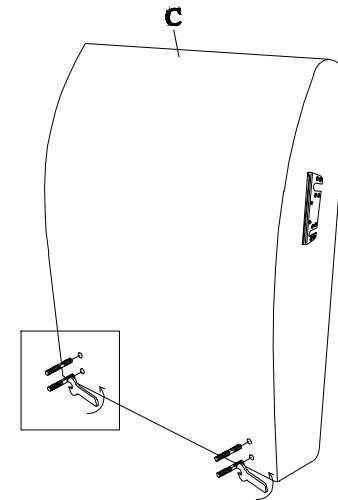
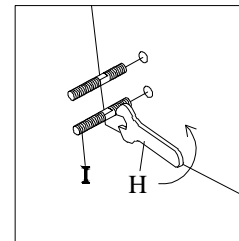
Ox1 pc(5mm)

1



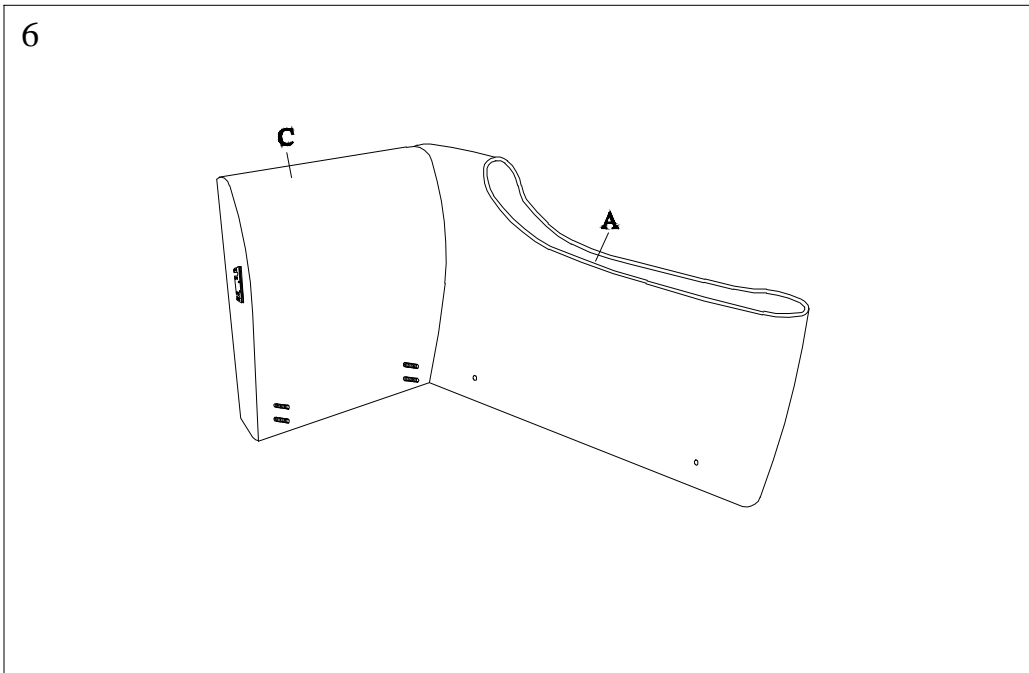
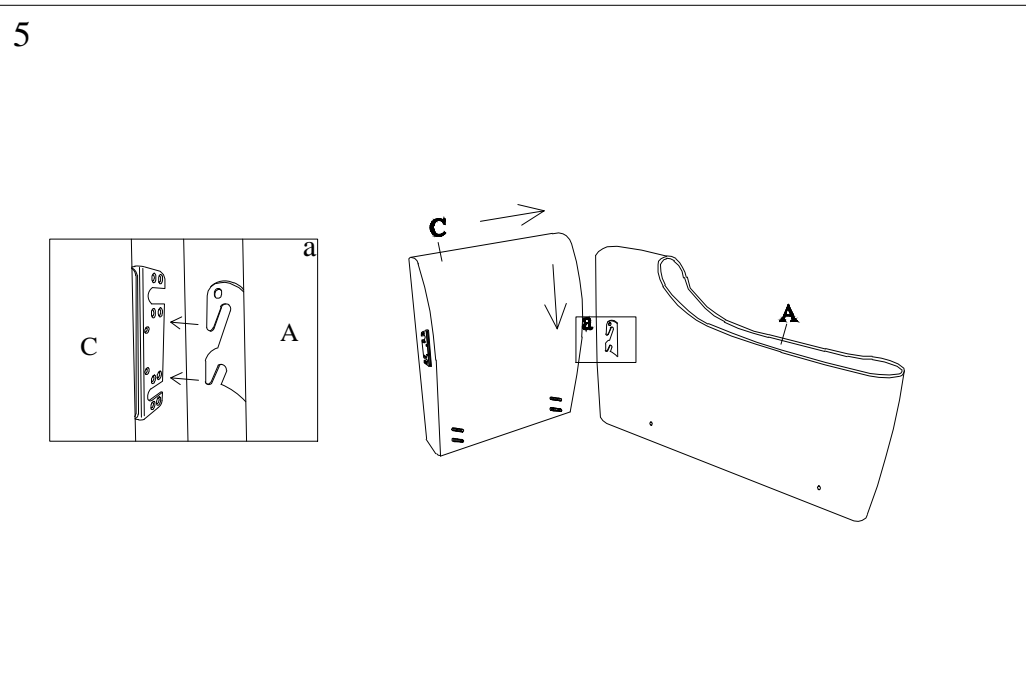
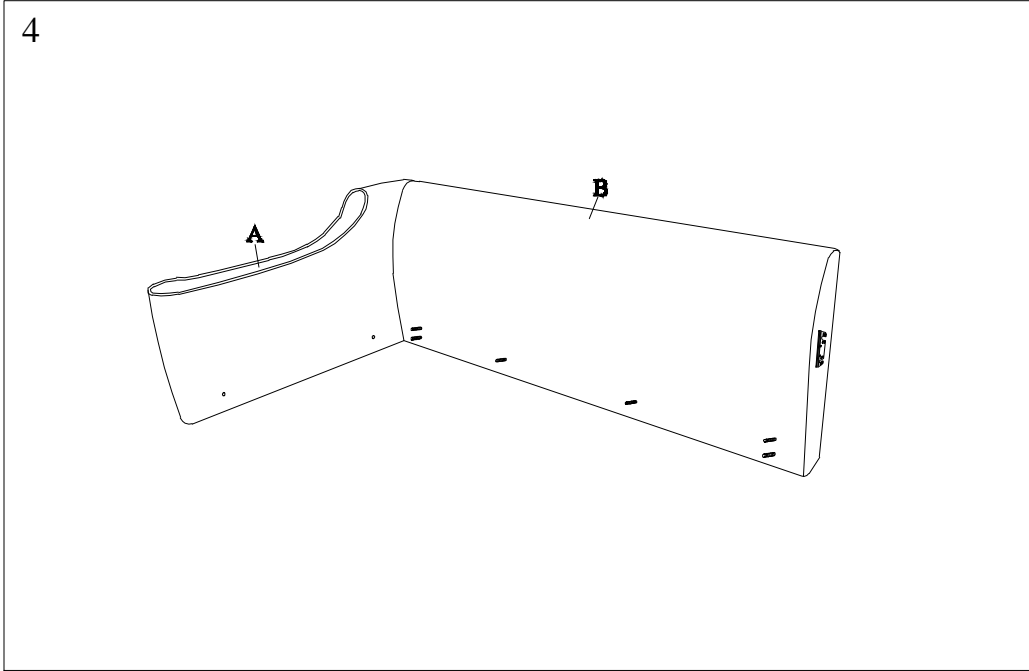
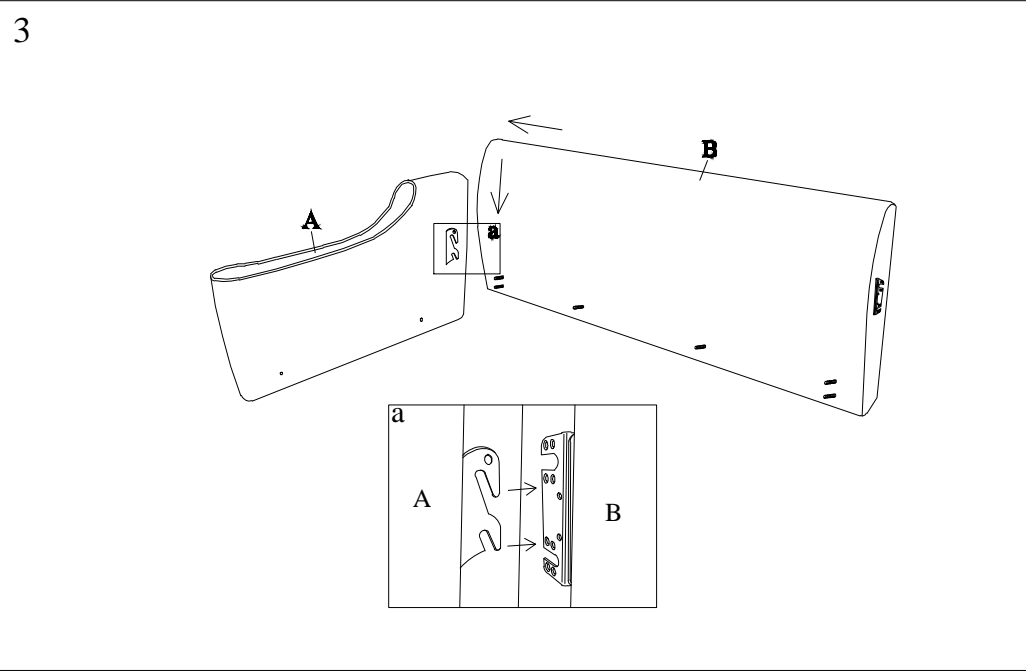
Screw the less threaded Part of I into the Part B.

2



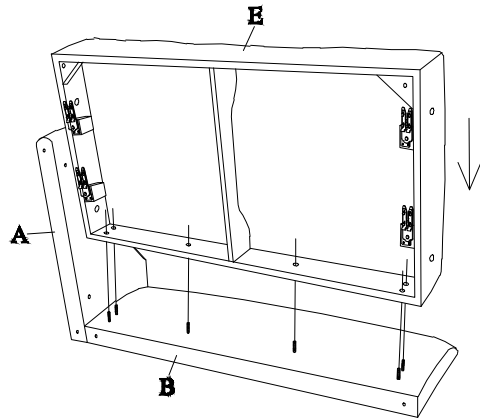
Screw the less threaded Part of I into the Part C.

RIGHT CHAISE 2-PIECE SECTIONAL ASSEMBLY INSTRUCTION

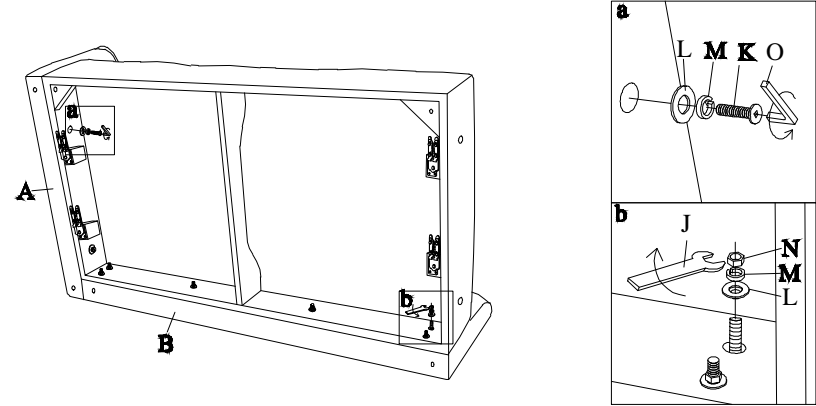


RIGHT CHAISE 2-PIECE SECTIONAL ASSEMBLY INSTRUCTION

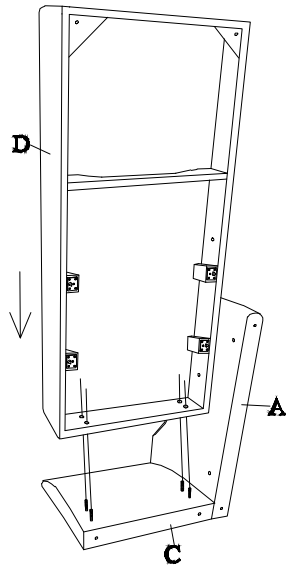
7



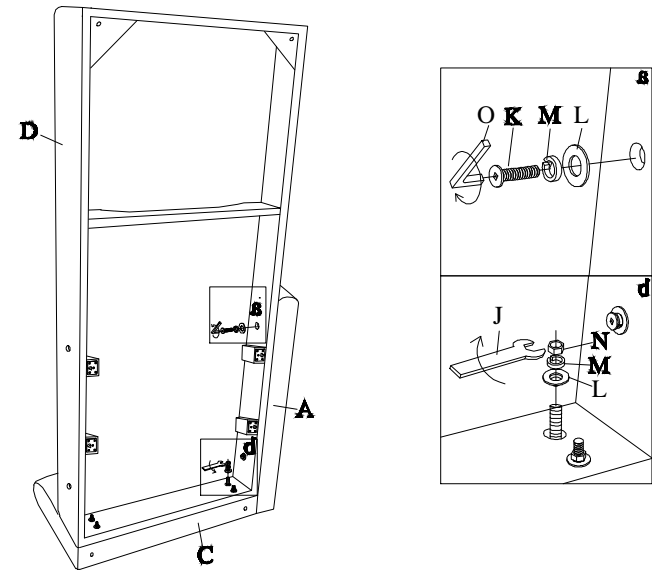
8



9

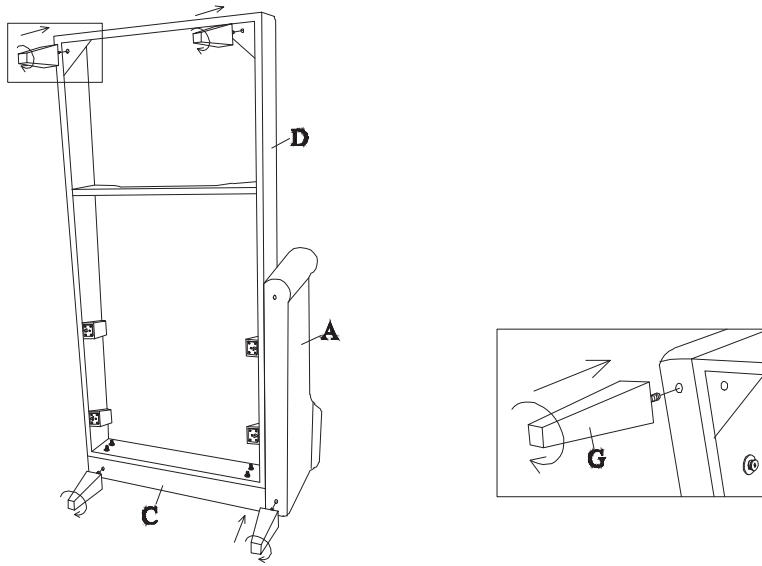


10

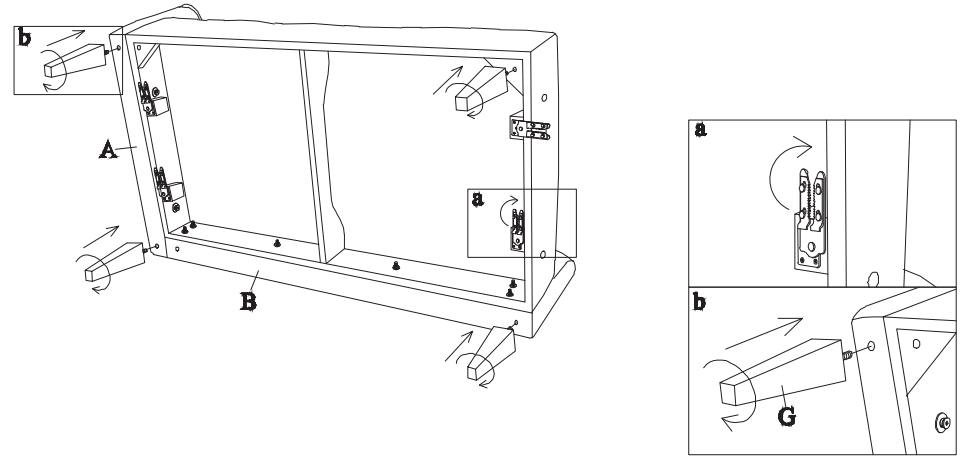


RIGHT CHAISE 2-PIECE SECTIONAL ASSEMBLY INSTRUCTION

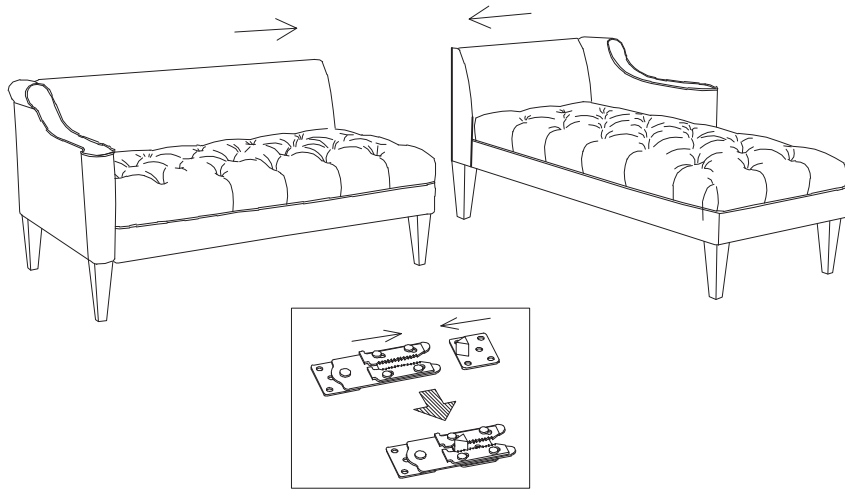
11



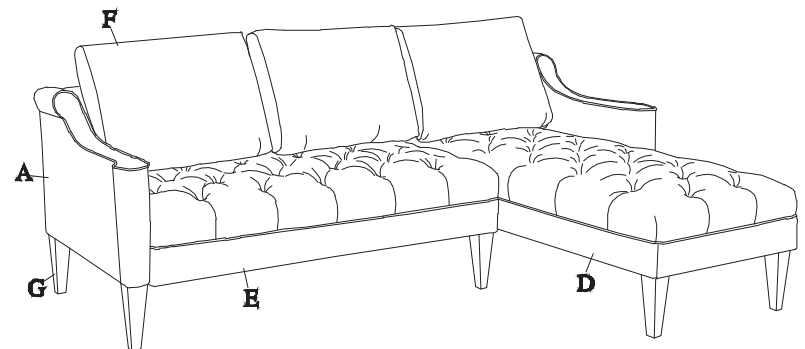
12



13



14



Thank you for your purchase.