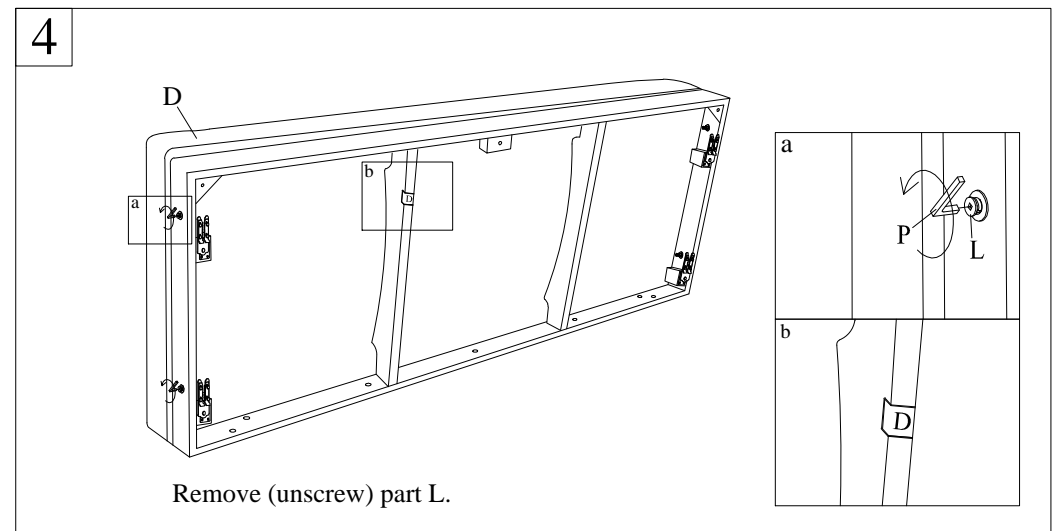
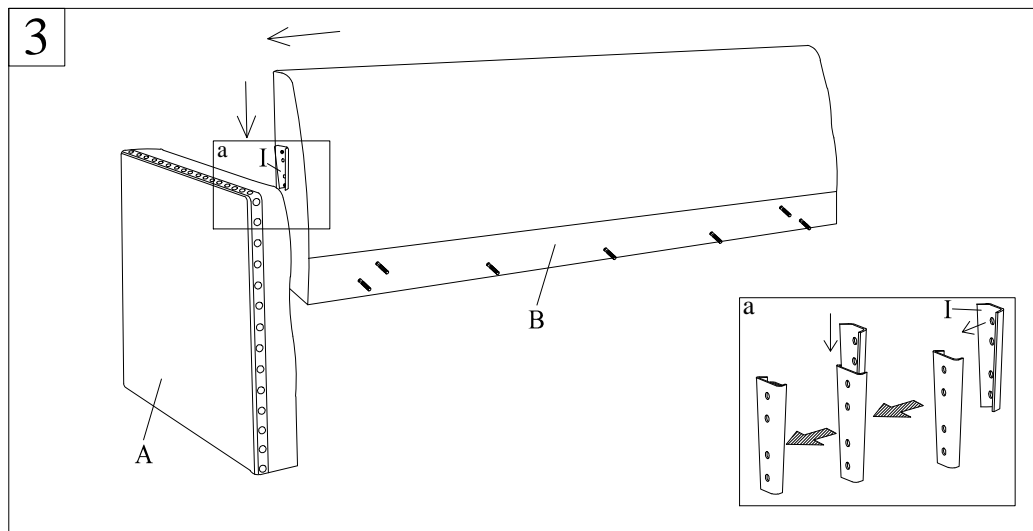
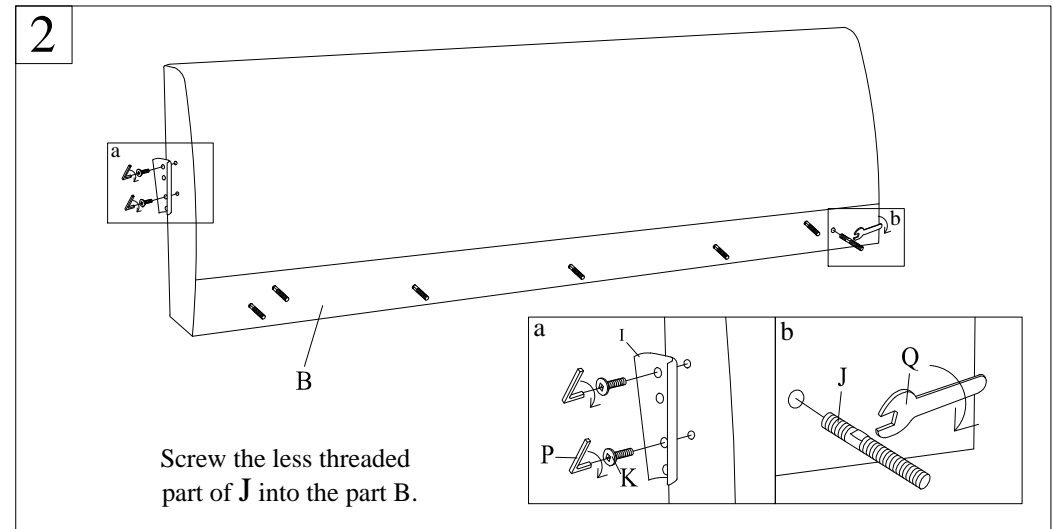
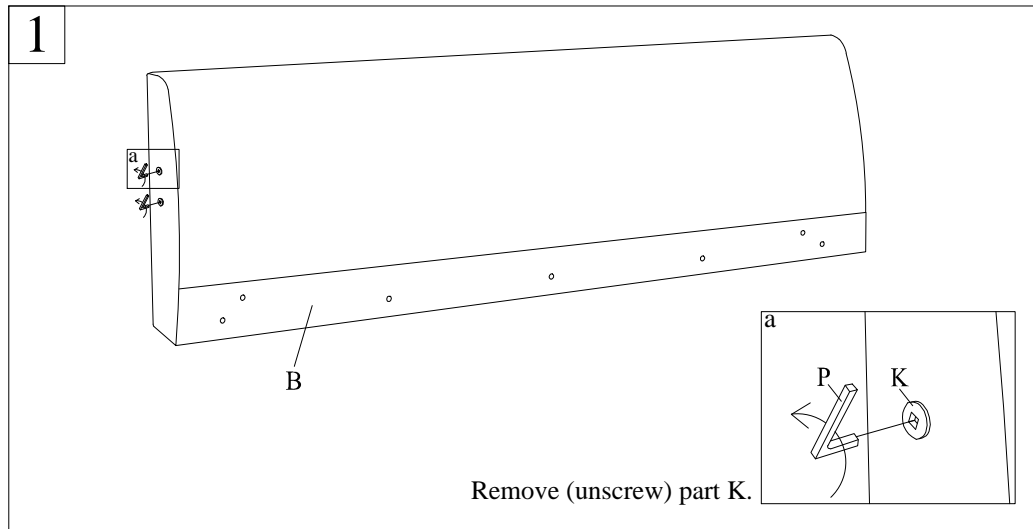
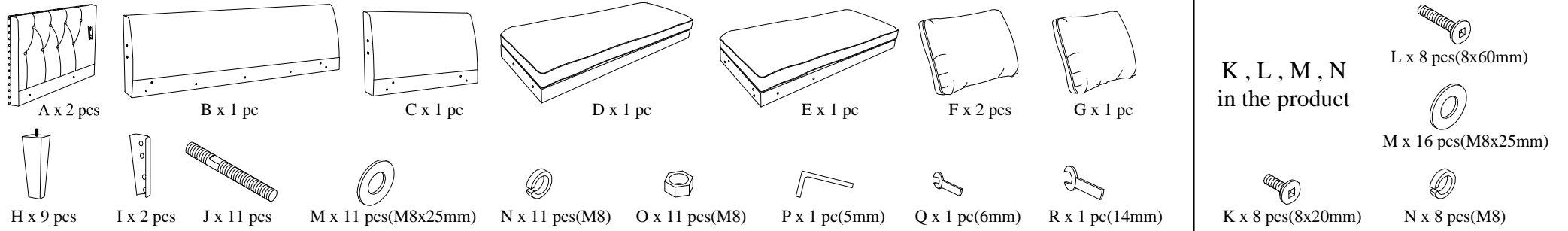
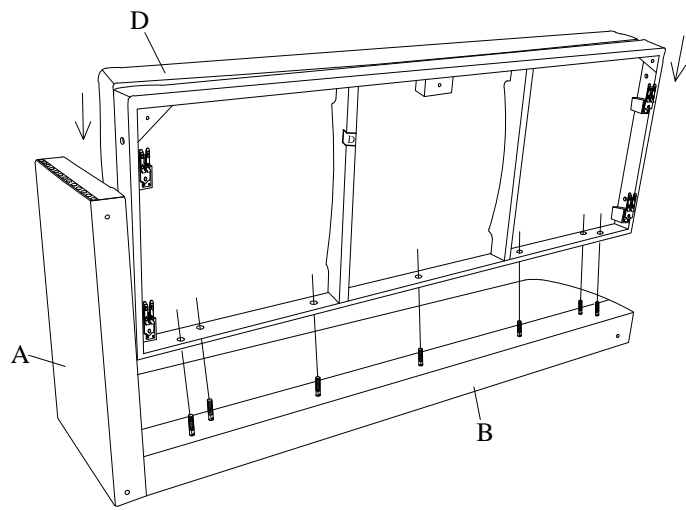


RIGHT CHAISE 2-PIECE SECTIONAL ASSEMBLY INSTRUCTION (TOTAL 4 BOXES)

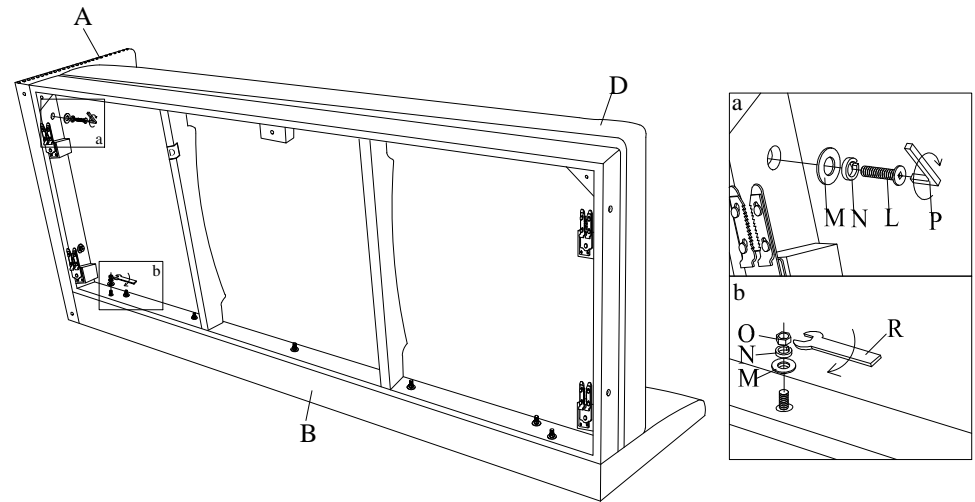


RIGHT CHAISE 2-PIECE SECTIONAL ASSEMBLY INSTRUCTION

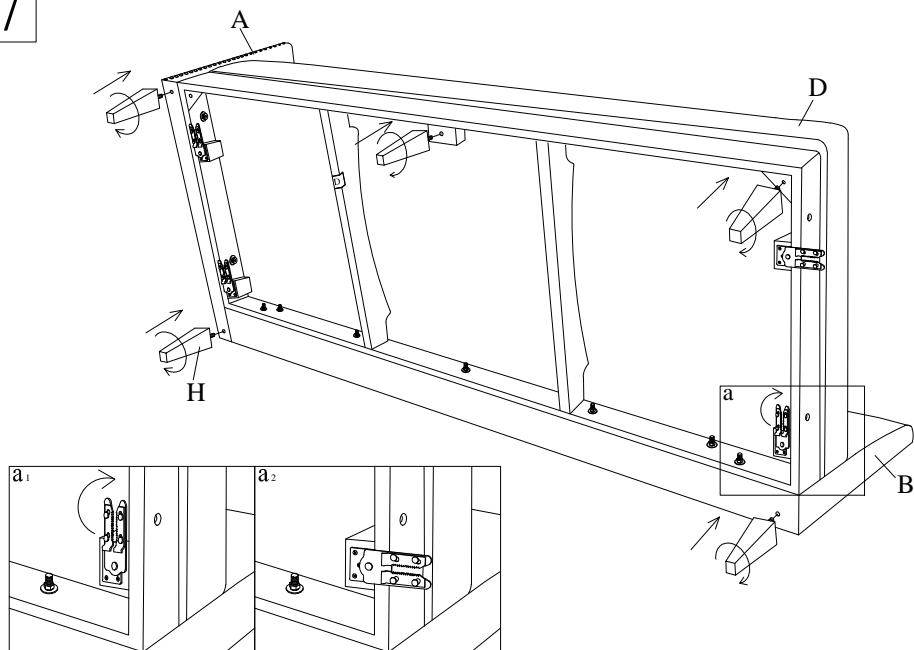
5



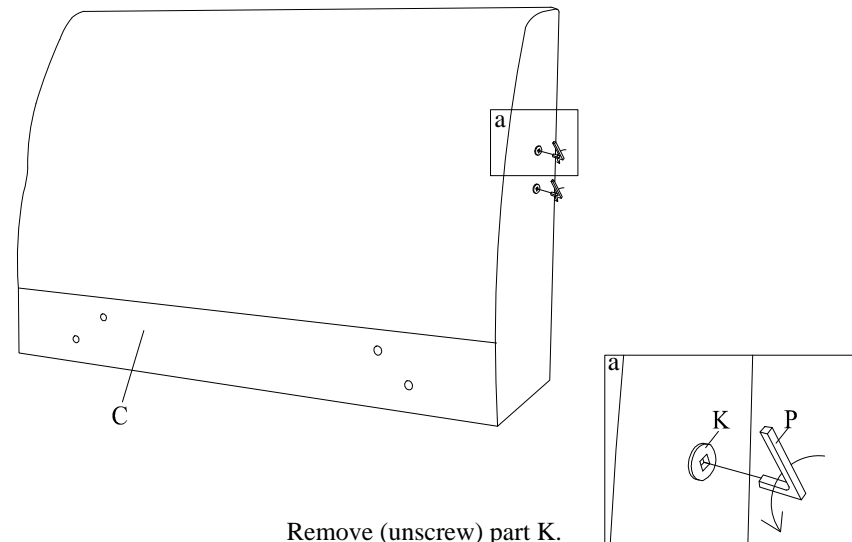
6



7

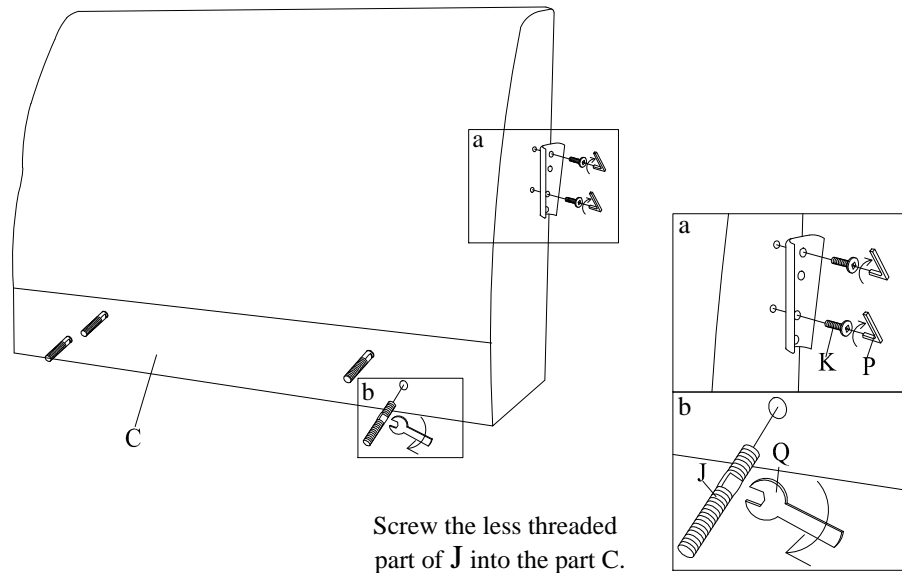


8

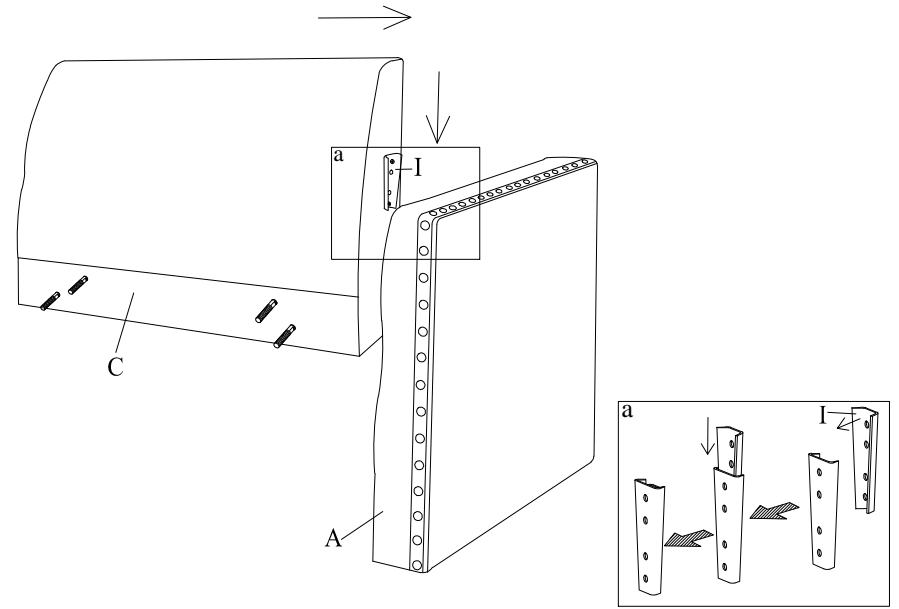


RIGHT CHAISE 2-PIECE SECTIONAL ASSEMBLY INSTRUCTION

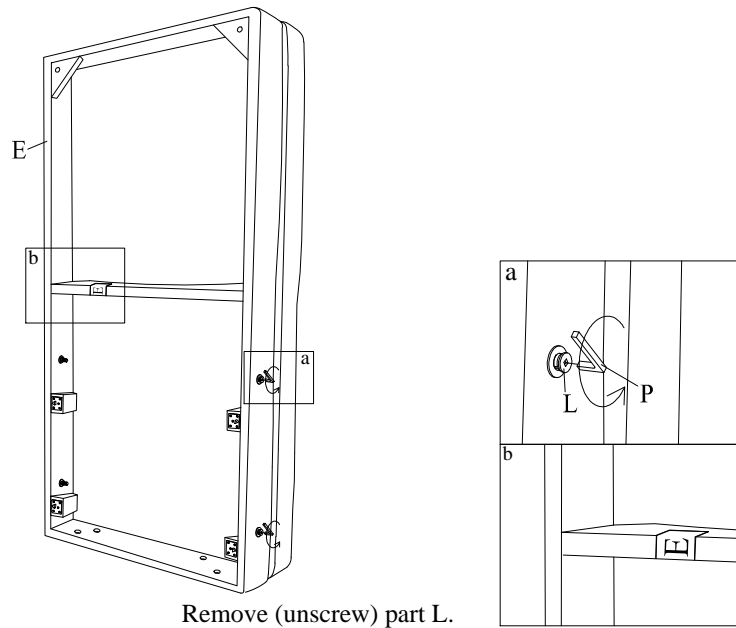
9



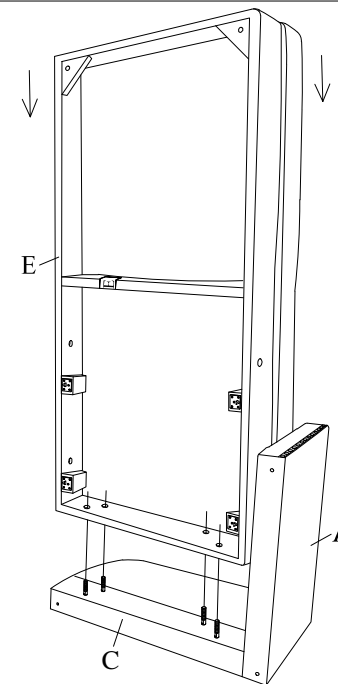
10



11

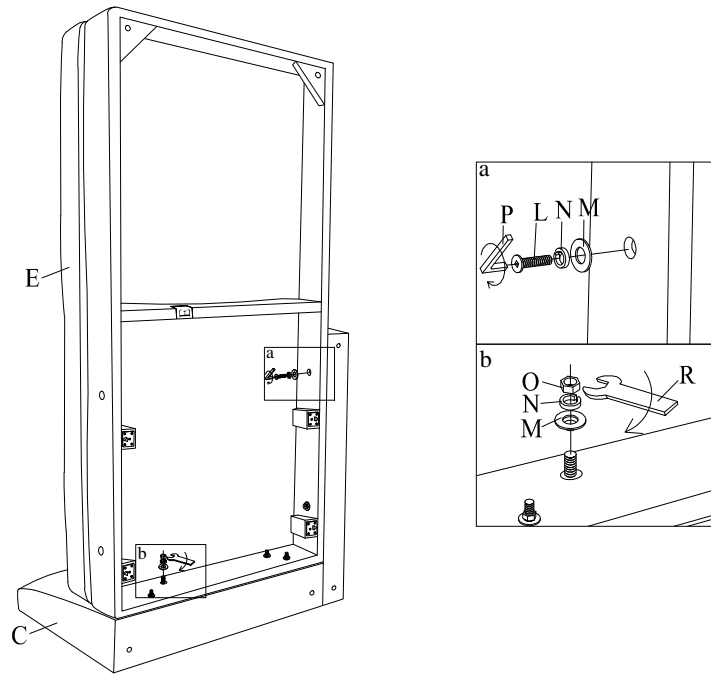


12

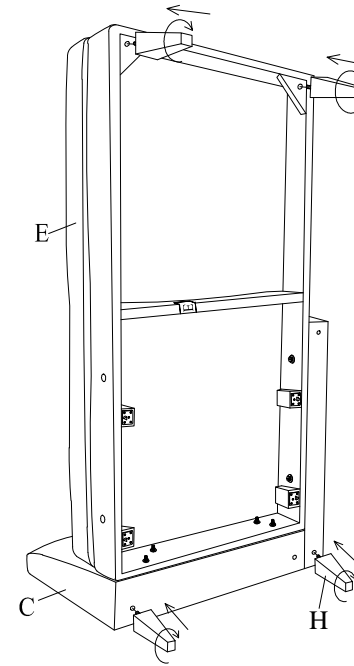


RIGHT CHAISE 2-PIECE SECTIONAL ASSEMBLY INSTRUCTION

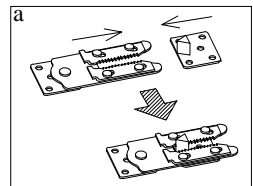
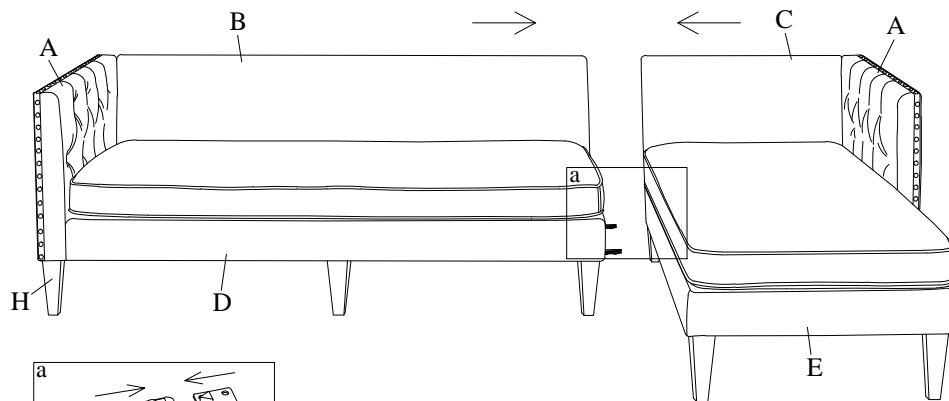
13



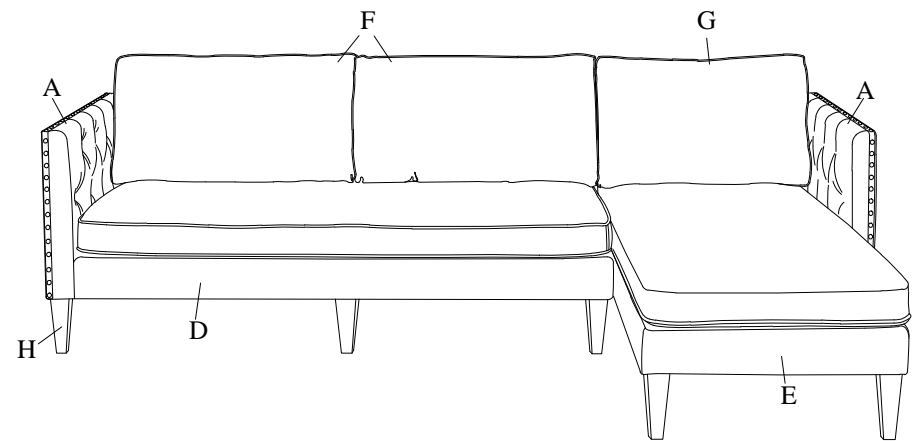
14



15

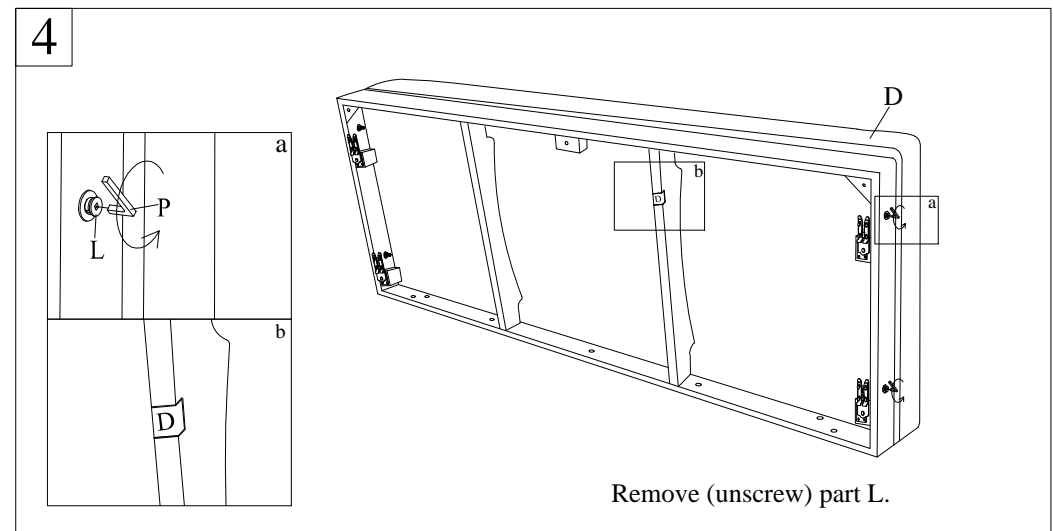
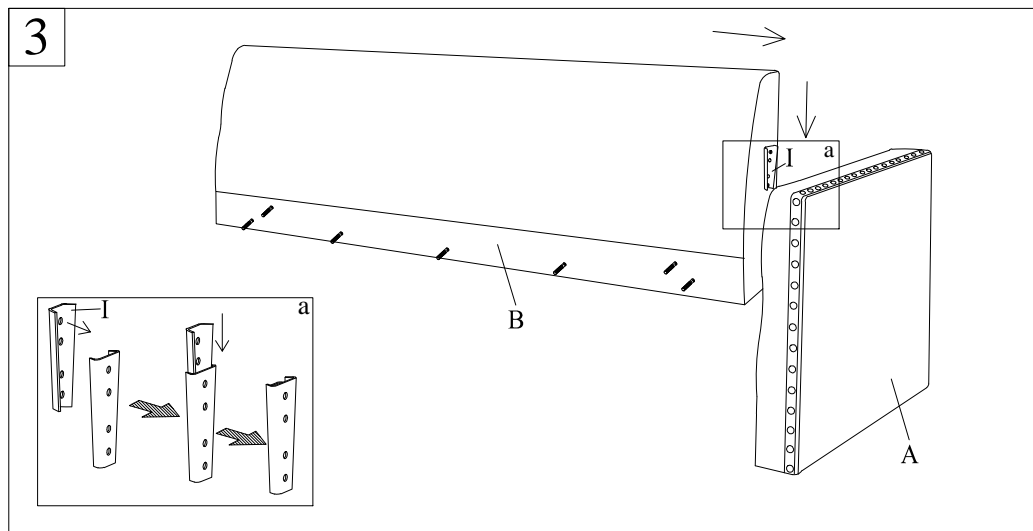
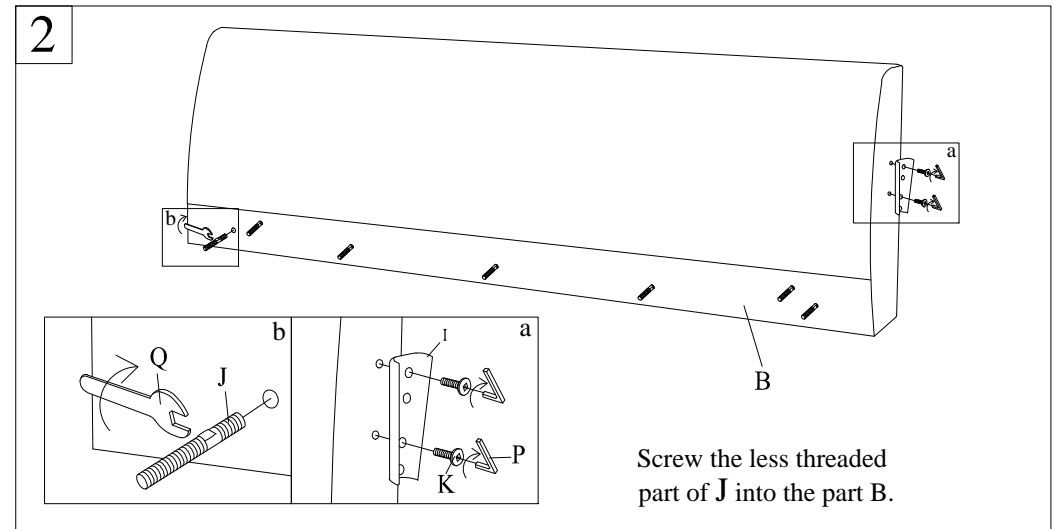
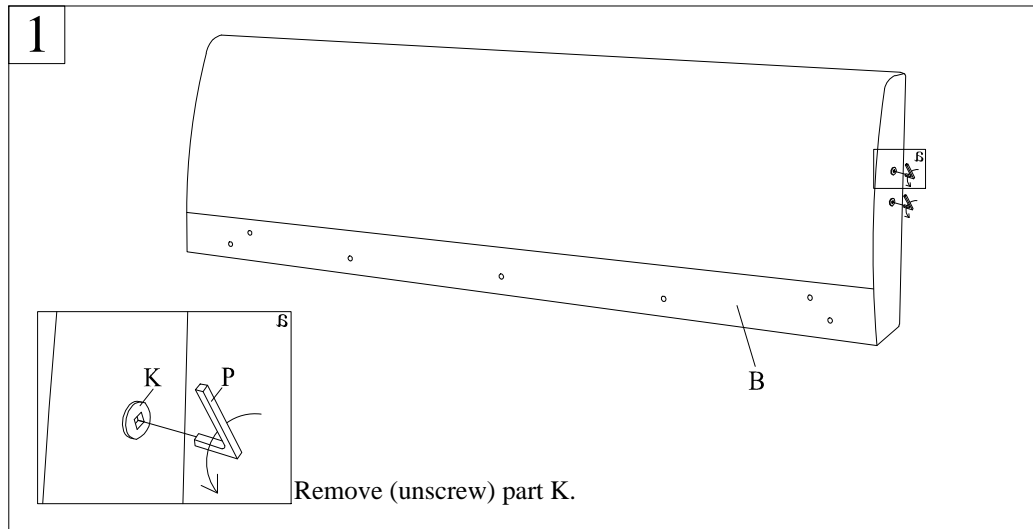
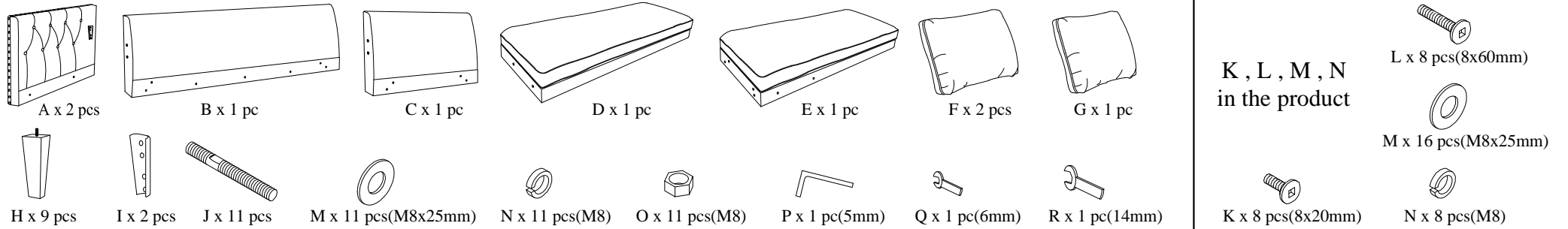


16



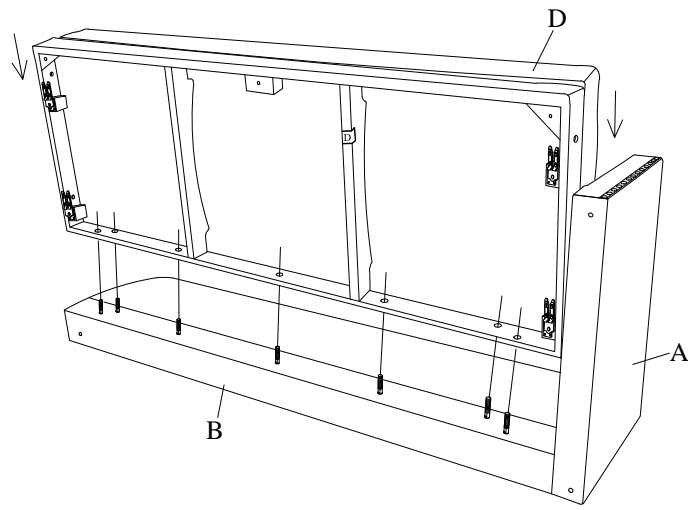
Thank you for your purchase
www.jennifertaylorhome.com

LEFT CHAISE 2-PIECE SECTIONAL ASSEMBLY INSTRUCTION (TOTAL 4 BOXES)

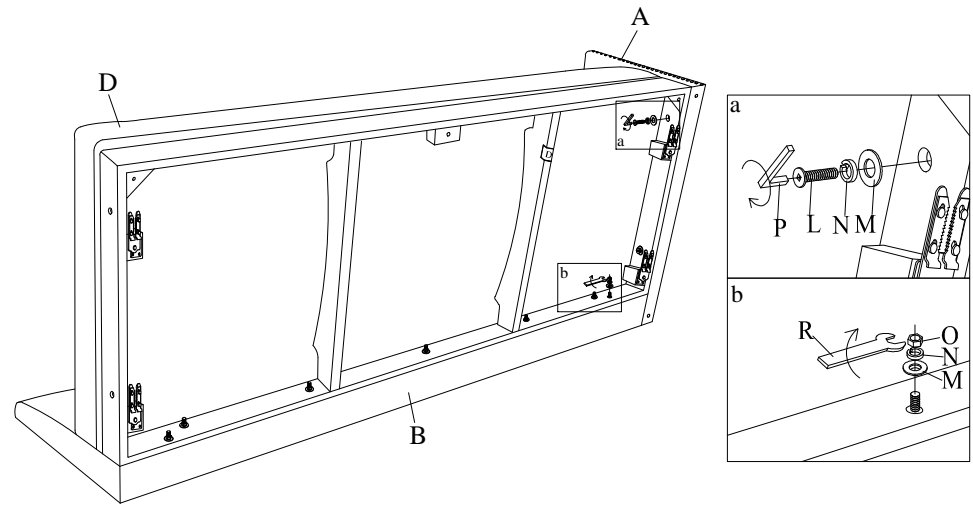


LEFT CHAISE 2-PIECE SECTIONAL ASSEMBLY INSTRUCTION

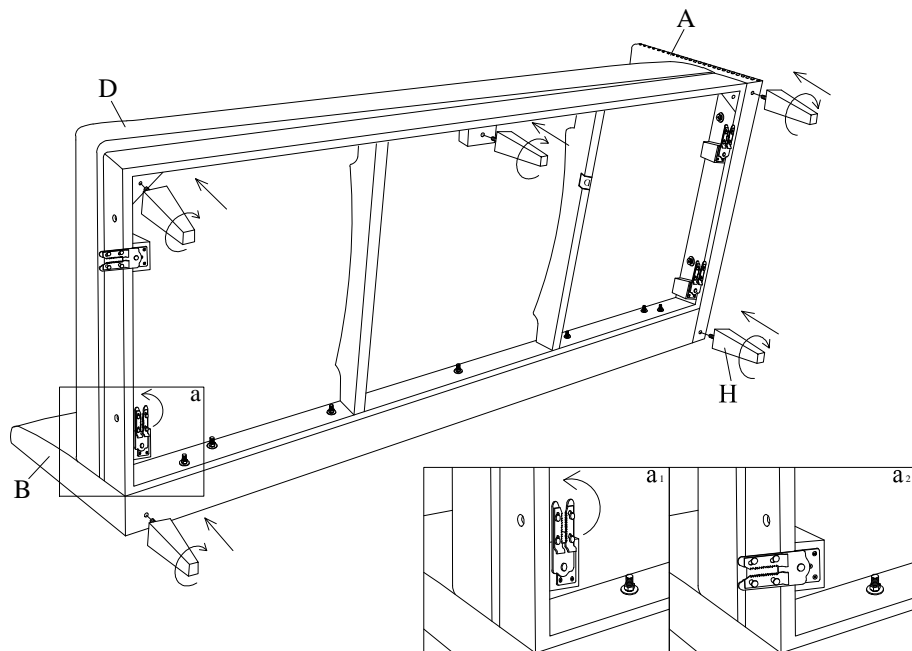
5



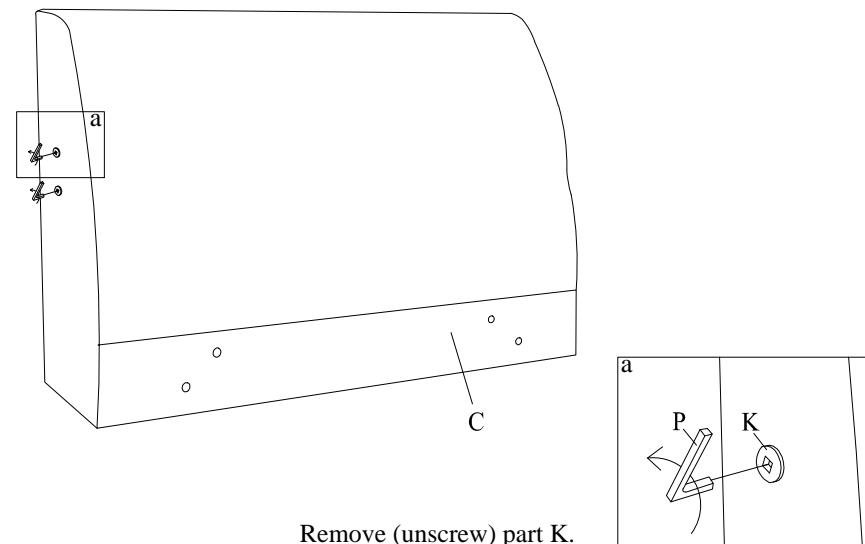
6



7

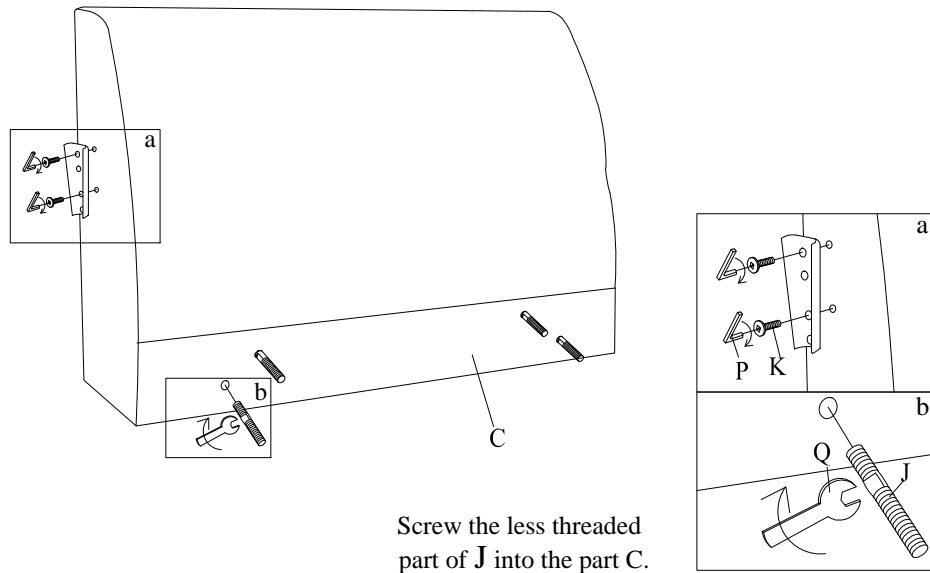


8



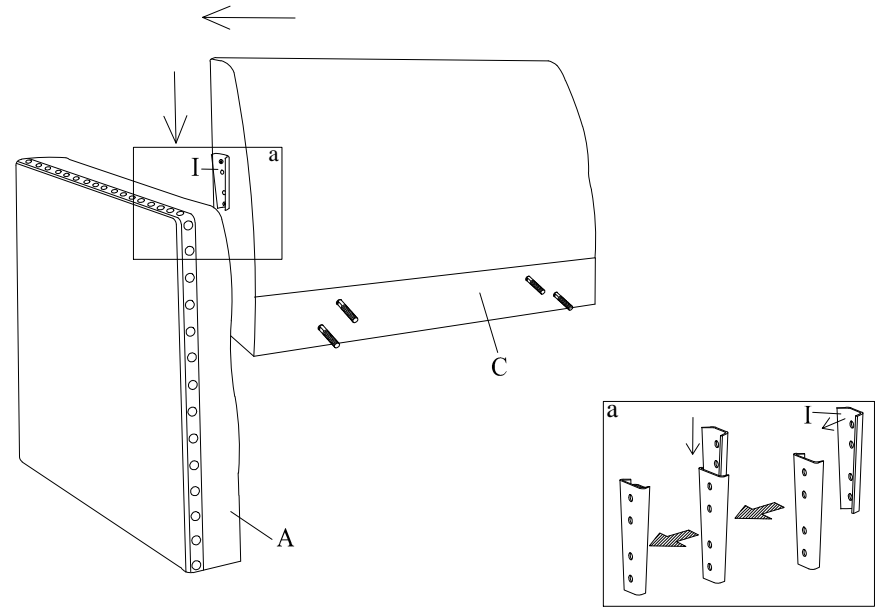
LEFT CHAISE 2-PIECE SECTIONAL ASSEMBLY INSTRUCTION

9

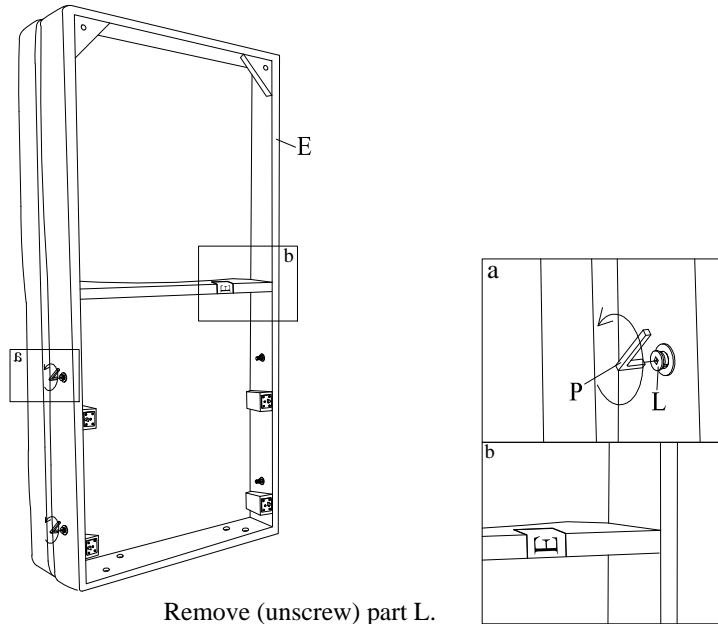


Screw the less threaded part of J into the part C.

10

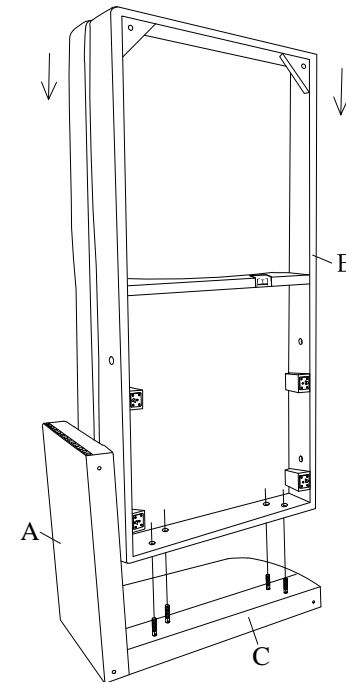


11



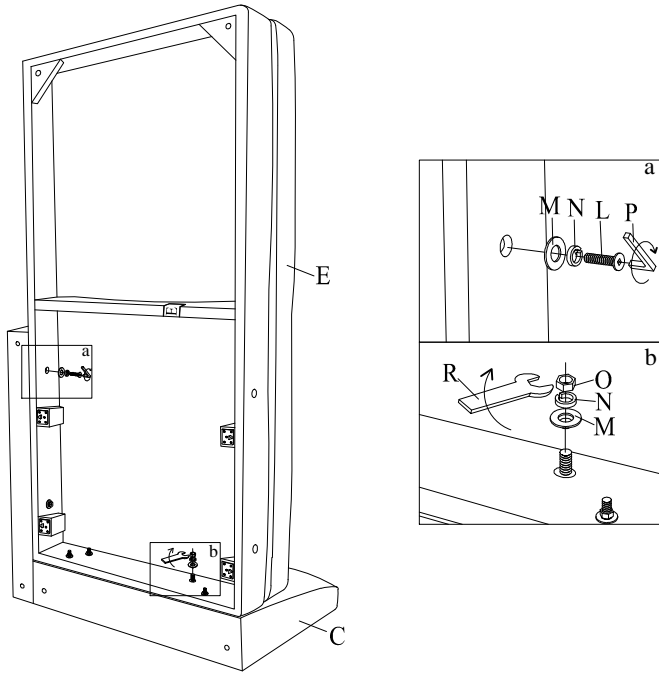
Remove (unscrew) part L.

12

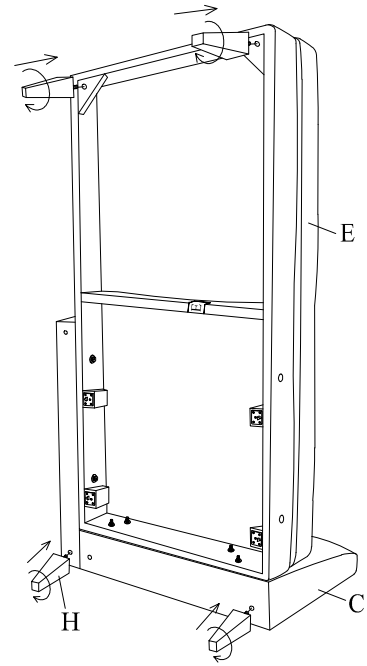


LEFT CHAISE 2-PIECE SECTIONAL ASSEMBLY INSTRUCTION

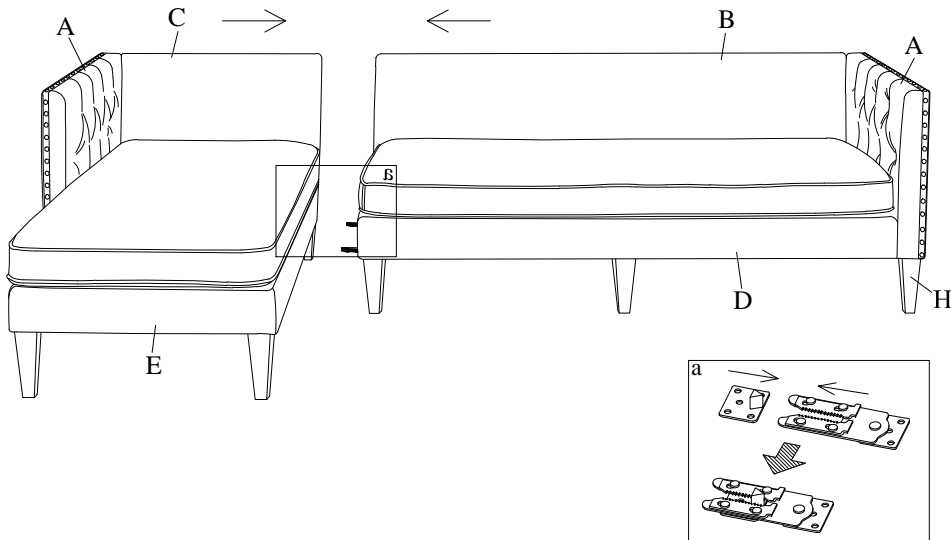
13



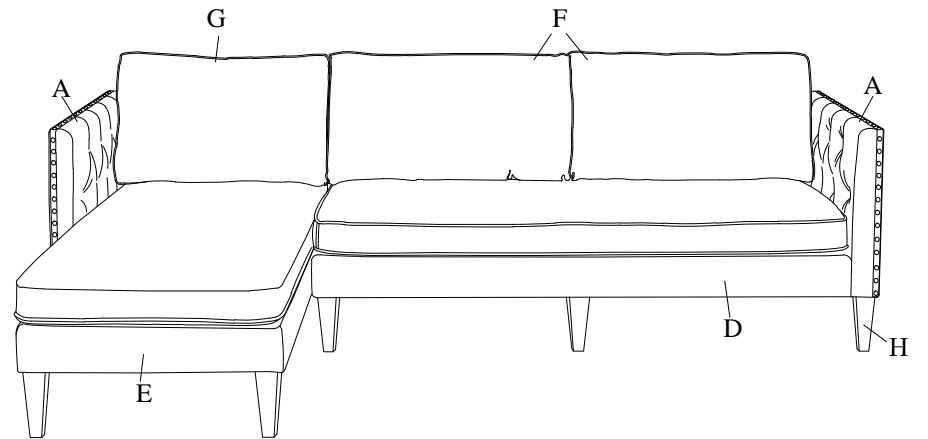
14



15



16



Thank you for your purchase
www.jennifertaylorhome.com