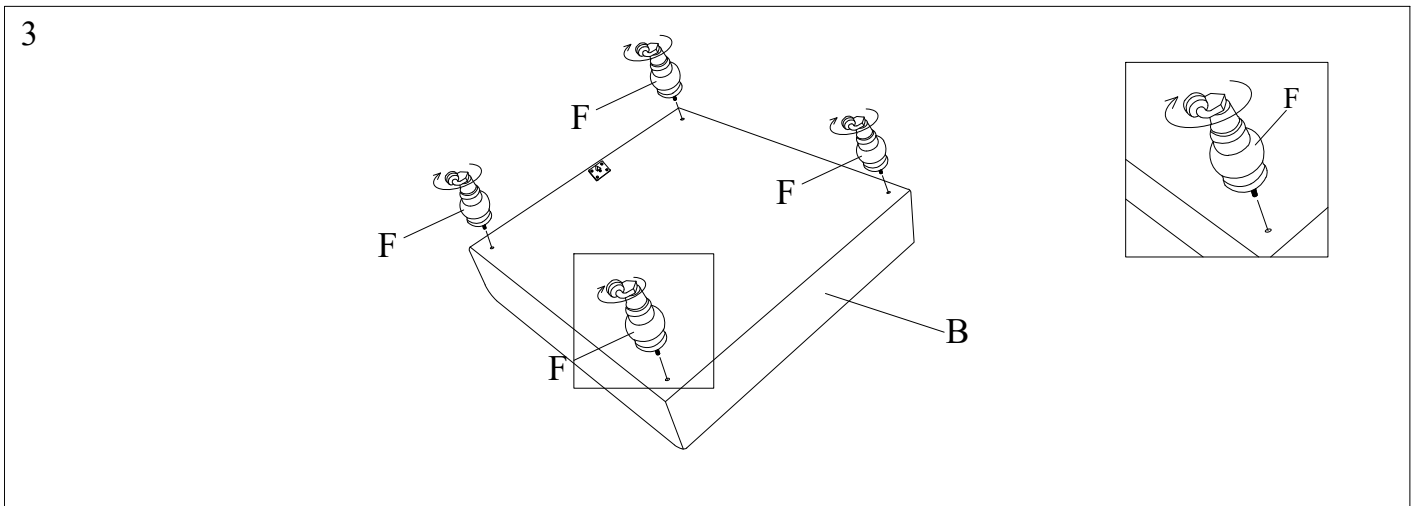
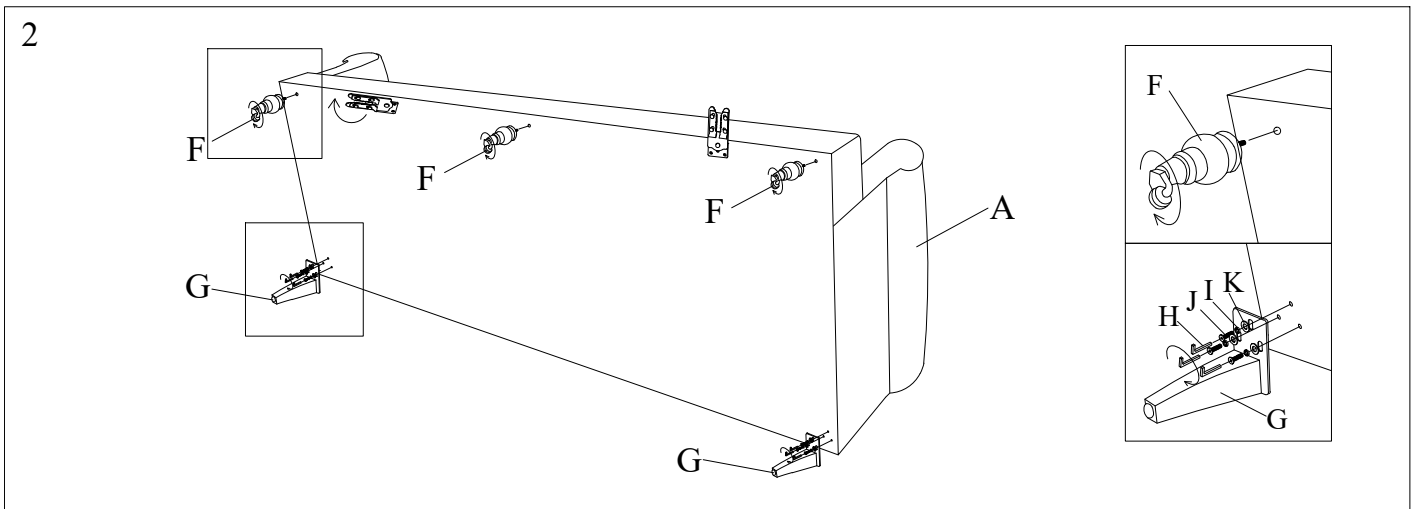
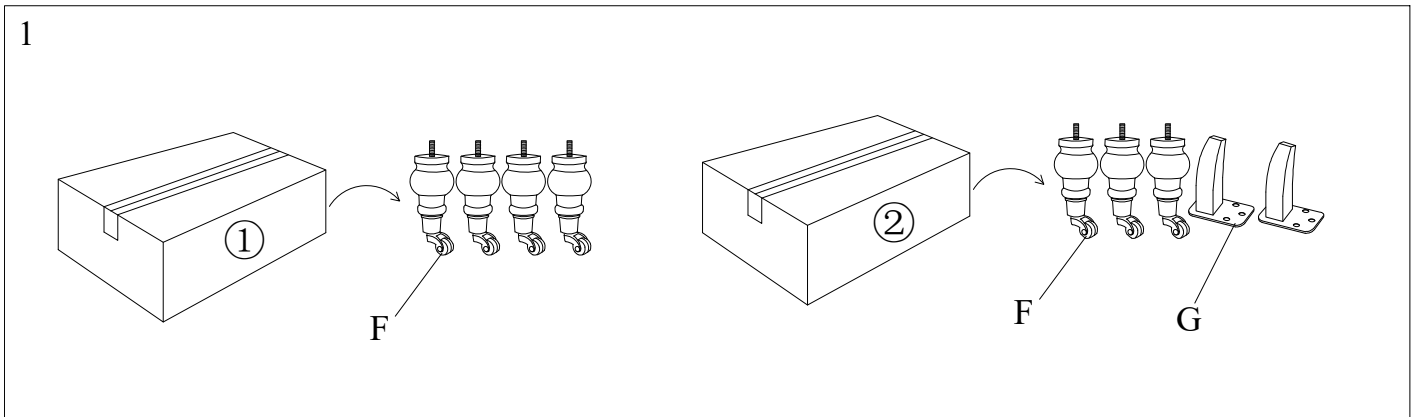
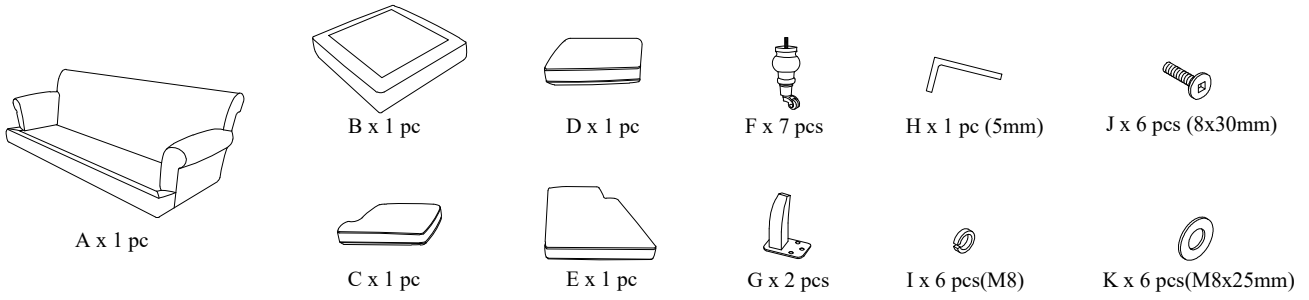
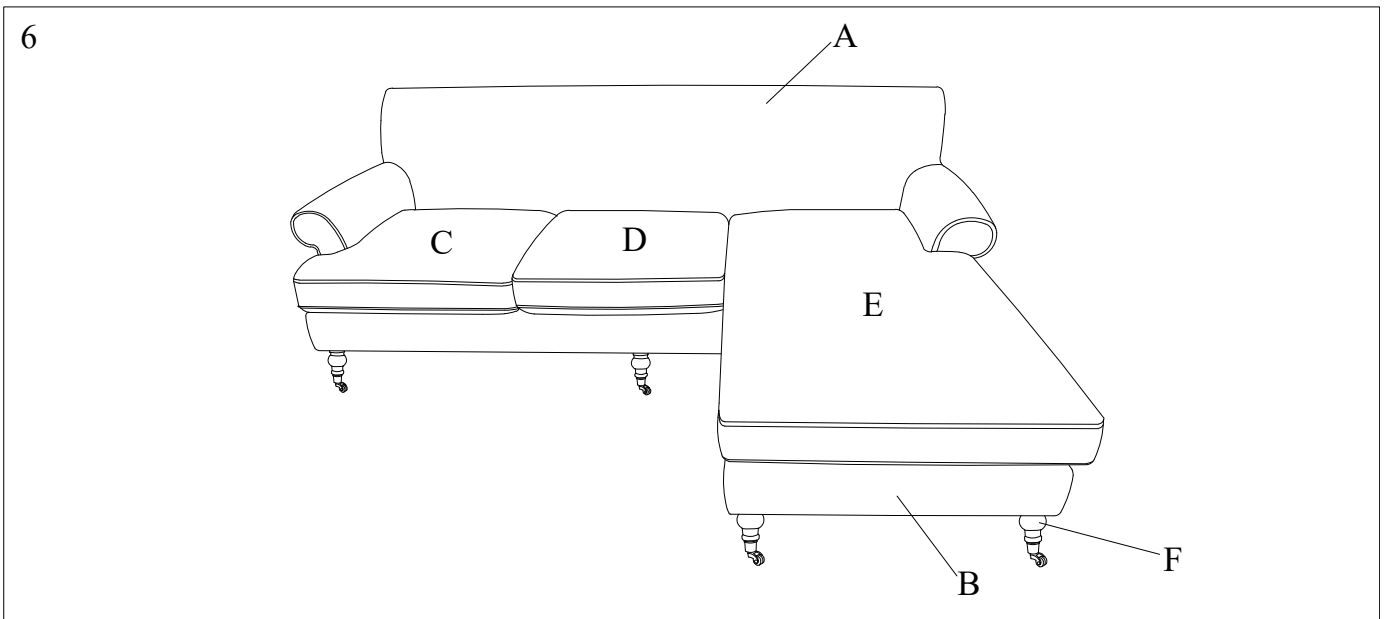
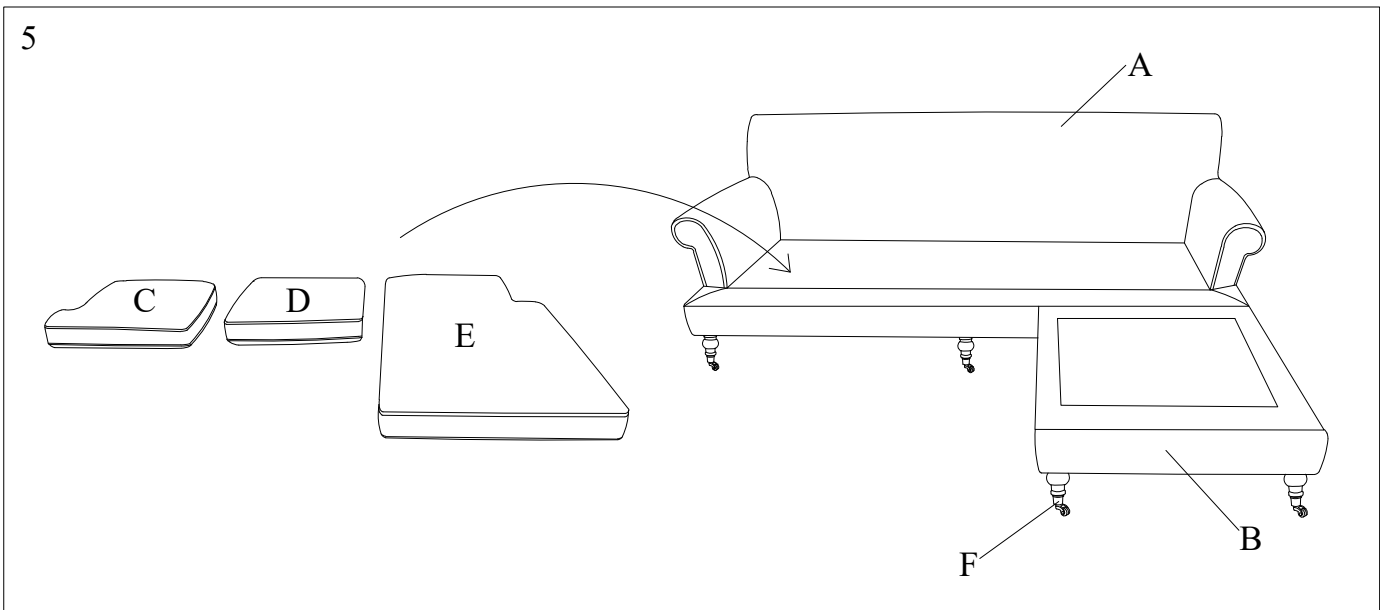
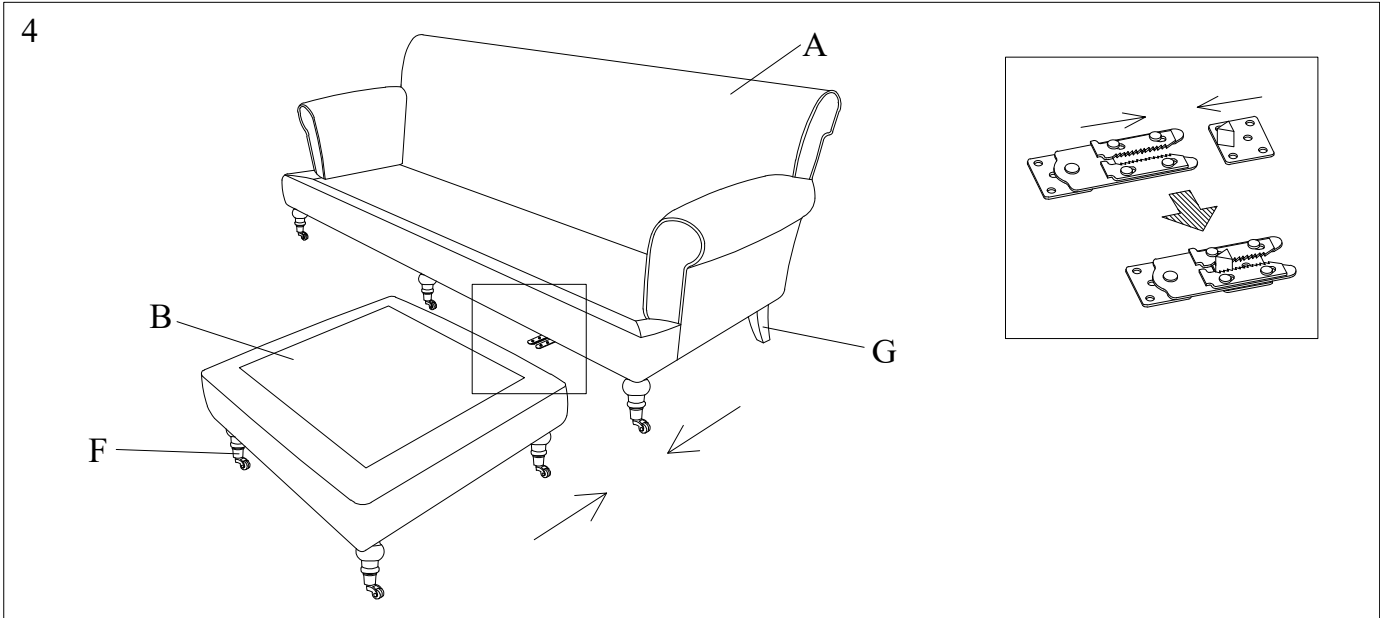


# RIGHT CHAISE 2-PIECE SECTIONAL ASSEMBLY INSTRUCTION(TOTAL 1 BOX)





2-2