






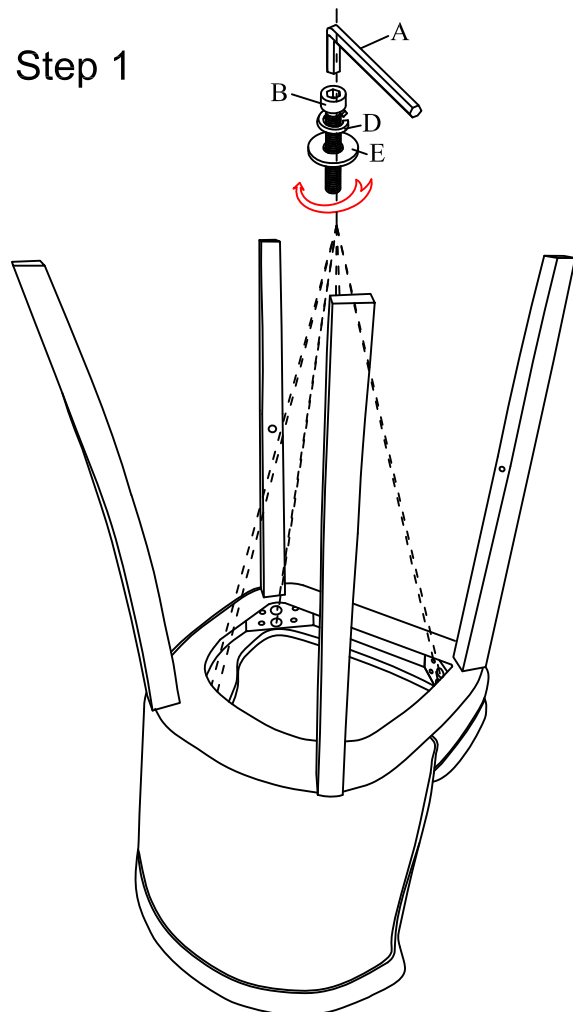
# 81170

# 81171

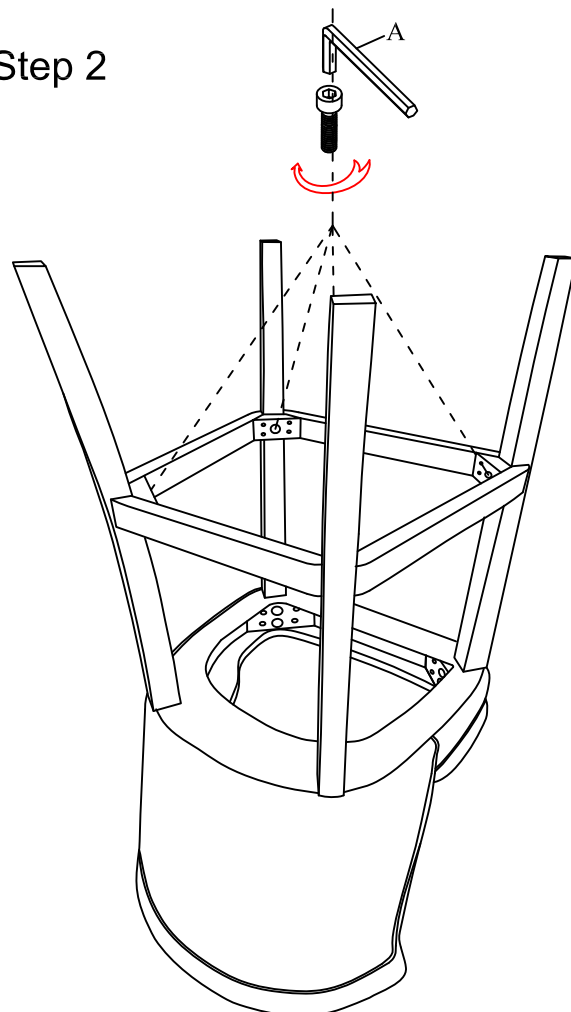
## HARDWARE LIST

NO	A	B	C	D	E
TYPE					
QTE	1PC(#5)	8PCS(M8x55)	4PCS(M8x40)	8PCS	8PCS

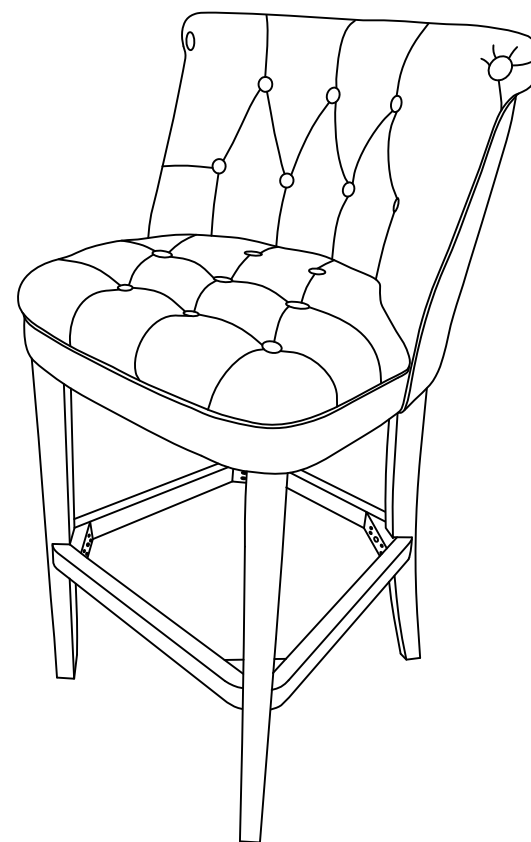
Step 1



Step 2



Finish



\*THE UNDERSIDE OF THE SEAT MAY BE COVERED WITH FABRIC. IF COVERED, PLEASE OPEN THE ZIPPER TO ACCESS THE SEAT BOTTOM TO BEGIN ASSEMBLY OF THE LEGS.