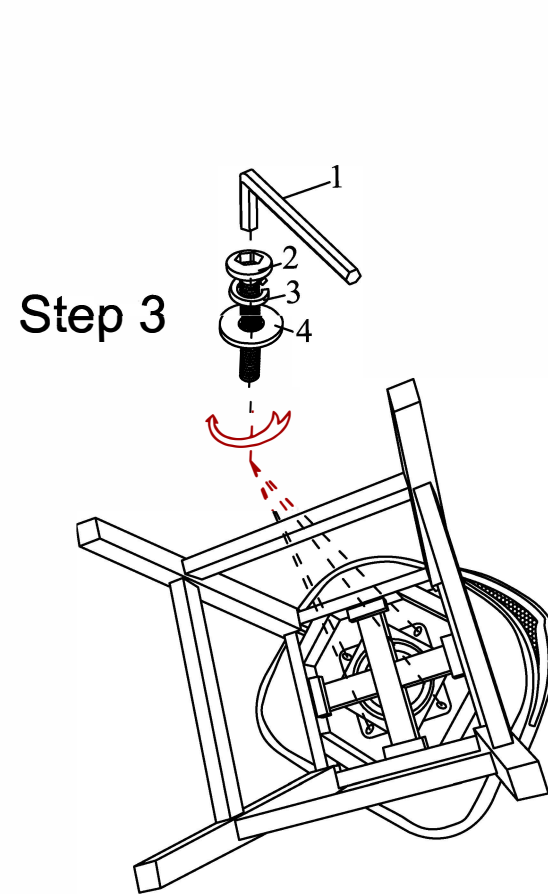
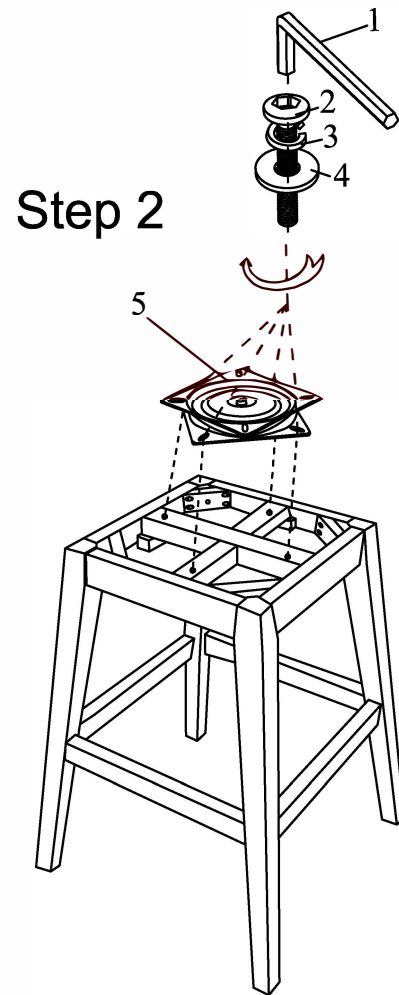
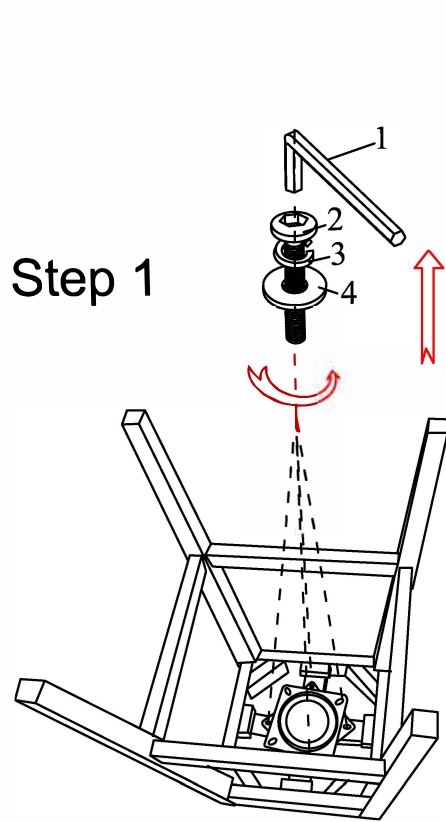
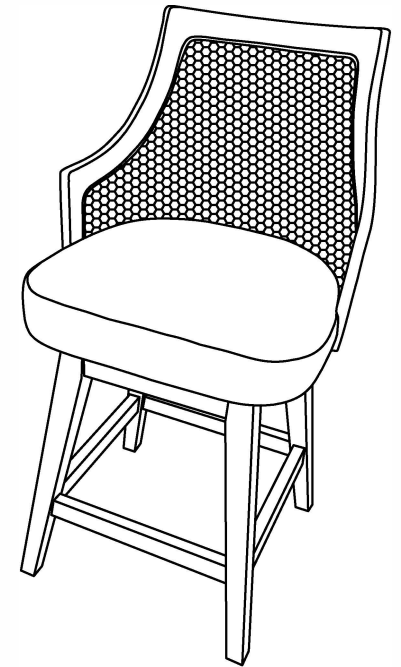


ASSEMBLY INSTRUCTIONS


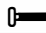



81282-XXX-MY



Finish



Hardware

1		"L" Wrench	1pc
2		Bolt 6*25mm	8pcs
3		Spring Washer	8pcs
4		Flat Washer	8pcs
5		Turnplate 6.75 inch	1pc