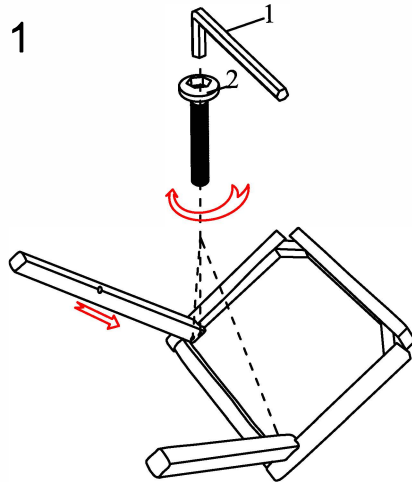


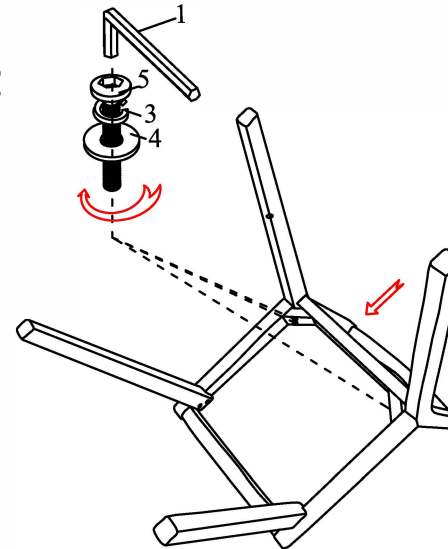
ASSEMBLY INSTRUCTIONS

81311-XXX-MY

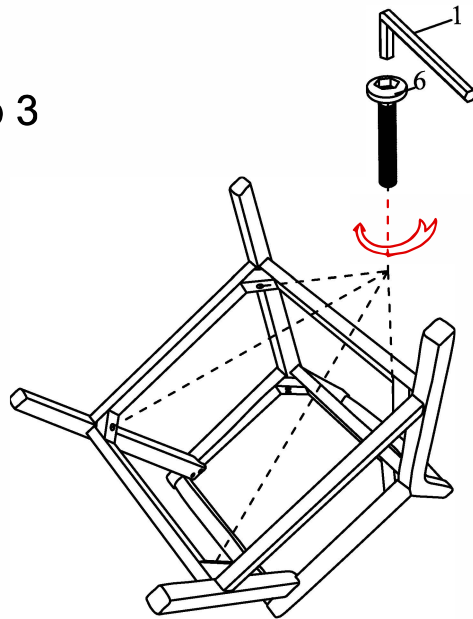
Step 1



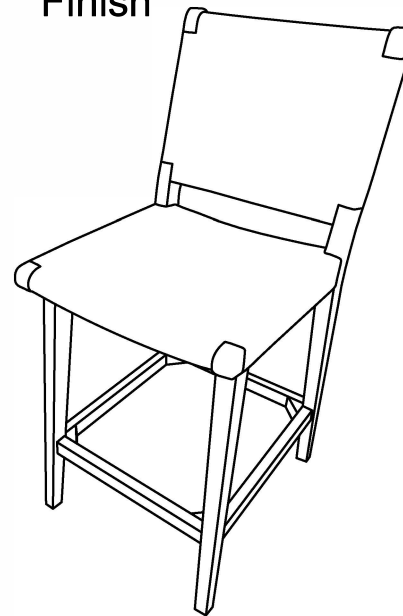
Step 2









Step 3



Finish



Hardware

1		"L" Wrench	1pc
2		Bolt 8*45mm	4pcs
3		Spring Washer	4pcs
4		Flat Washer	4pcs
5		Bolt 8*70mm	4pcs
6		Bolt 8*50mm	4pcs