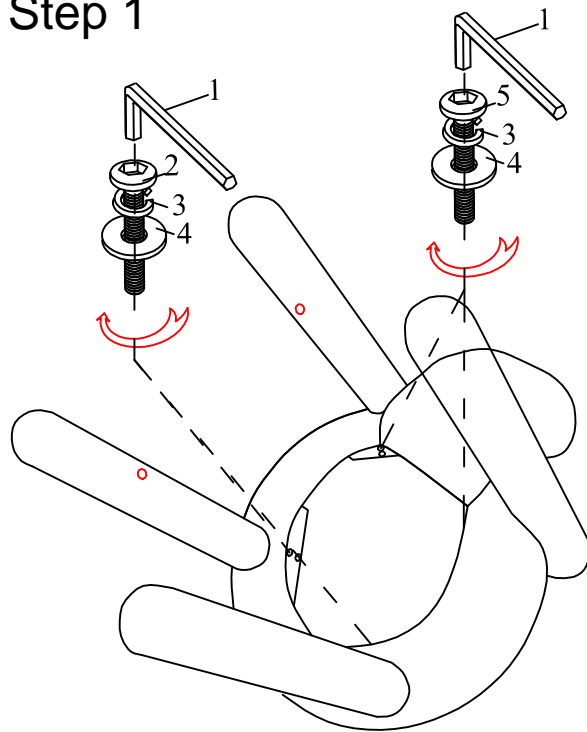


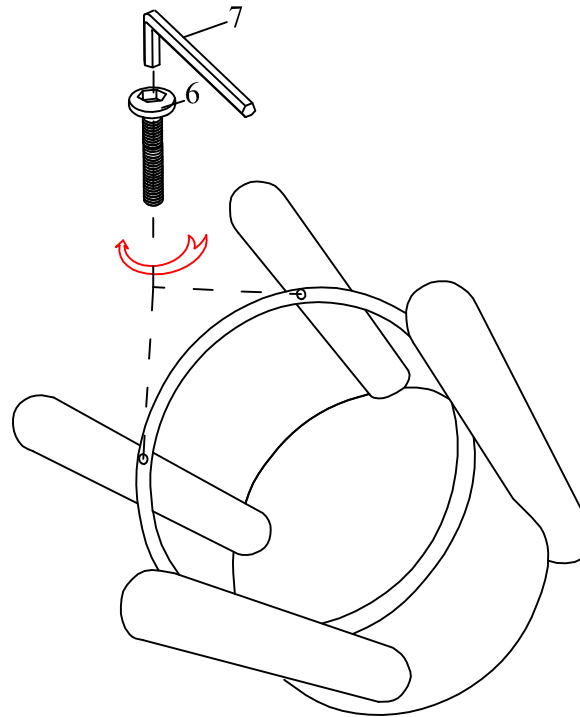
# ASSEMBLY INSTRUCTIONS

## 81421- XXX -2P

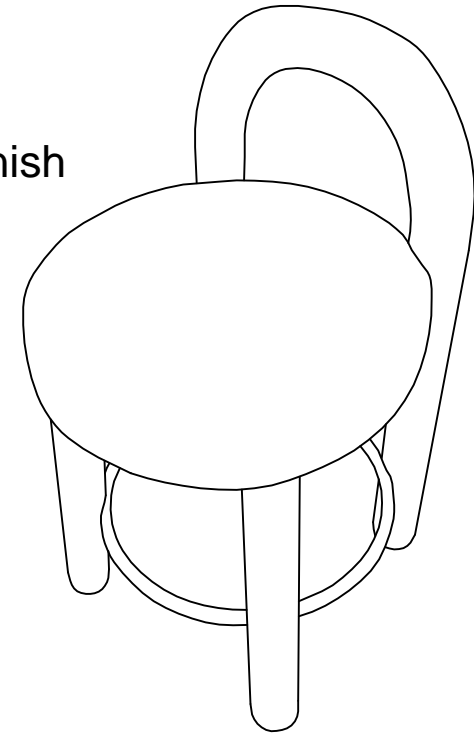
Step 1



Step 2







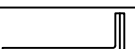


Finish



Please leave bolts loosened until all bolts are placed before tightening completely

### Hardware

1		"L" Wrench	1pc
2		Bolt 8*50mm	4pcs
3		Spring Washer	8pcs
4		Flat Washer	8pcs
5		Bolt 8*90mm	4pcs
6		Bolt 6*30mm	4pcs
7		"L" Wrench	1pc