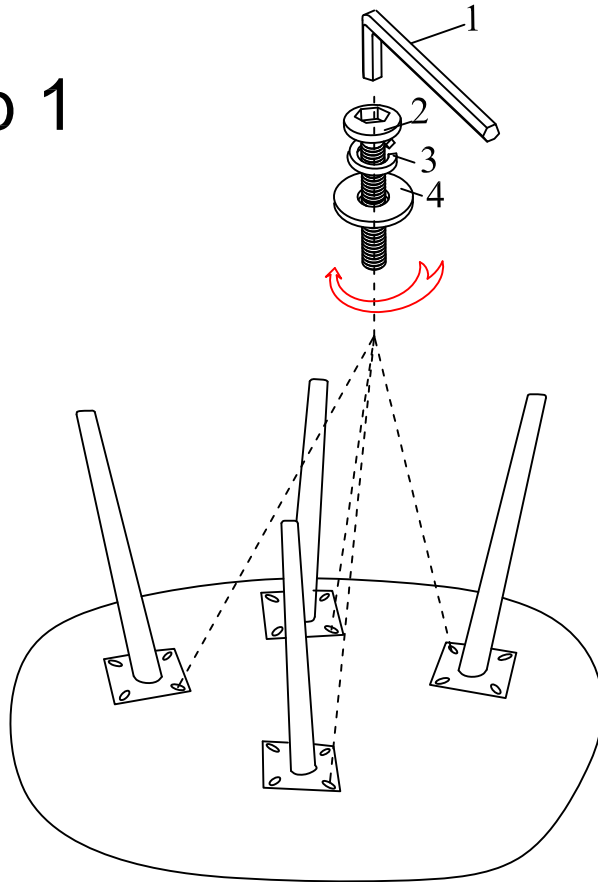


ASSEMBLY INSTRUCTIONS

84561-MSG/MSN

Step 1



Finish



Please leave bolts loosened until all bolts are placed before tightening completely

Hardware

1		"L" Wrench	1pc
2		Bolt 6*25mm	16pcs
3		Spring Washer	16pcs
4		Flat Washer	16pcs