

BENCH ASSEMBLY INSTRUCTION (TOTAL 1 BOX)



A x 1 pc



B x 2 pcs



C x 2 pcs



D x 8 pcs (8x50mm)



F x 8 pcs (M8)

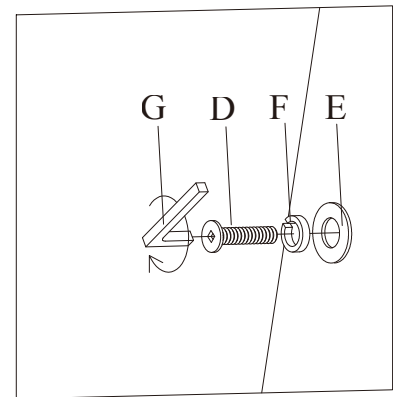
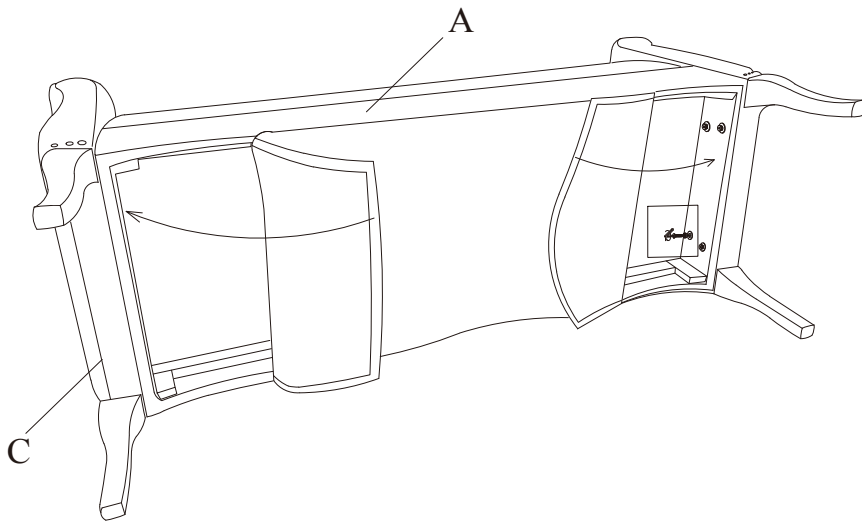


E x 8 pcs (M8x25mm)

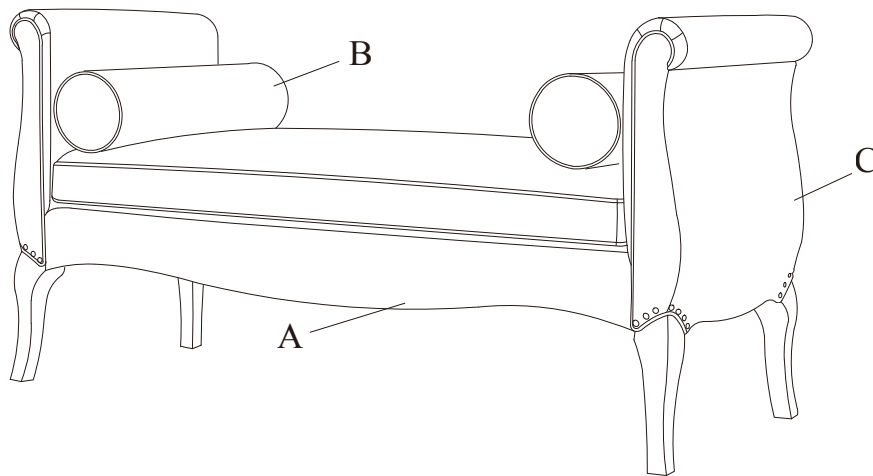


G x 1 pc (5mm)

1



2



Thank you for your purchase.

1-1