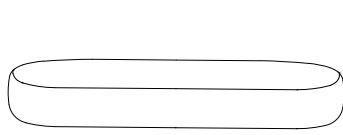
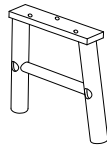


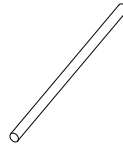
BENCH ASSEMBLY INSTRUCTION (TOTAL 1 BOX)



A x 1 pc



B x 2 pcs



C x 2 pcs



D x 1 pc (5mm)



E x 6 pcs (8x50mm)

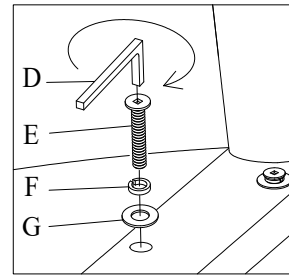
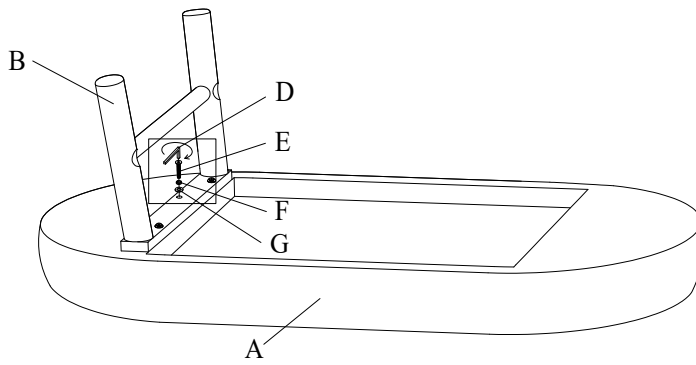


F x 6 pcs(M8)

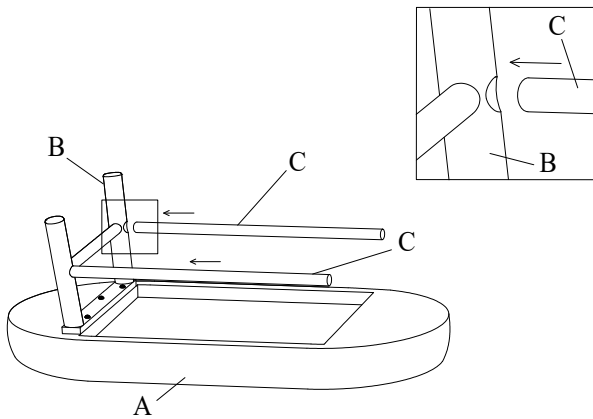


G x 6 pcs(M8x22mm)

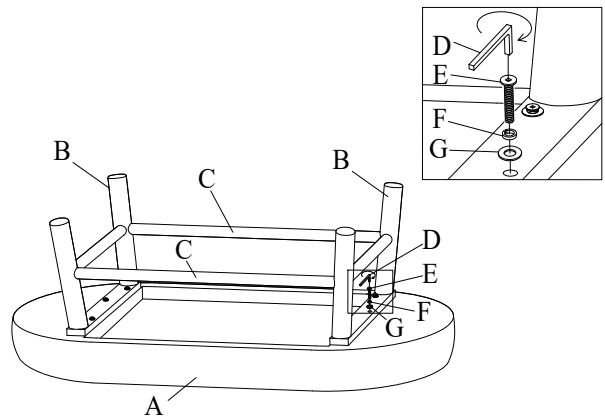
1 Please leave bolts loosened until all bolts are placed before tightening completely.



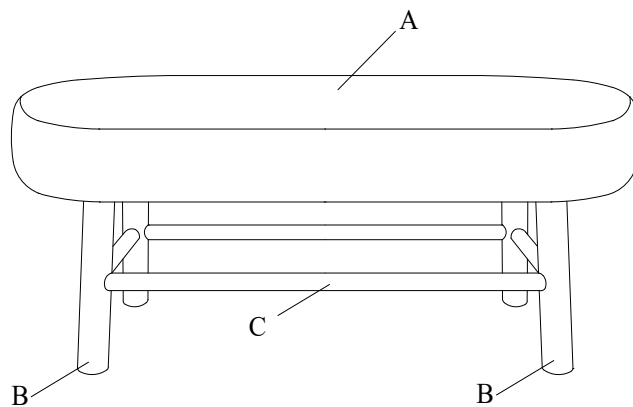
2



3



4



Thank you for your purchase