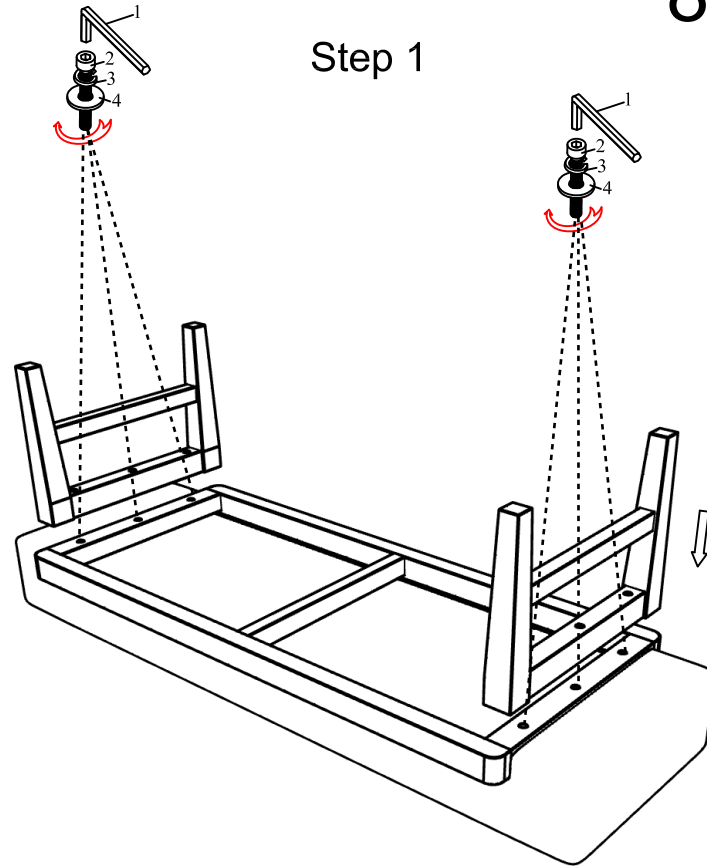


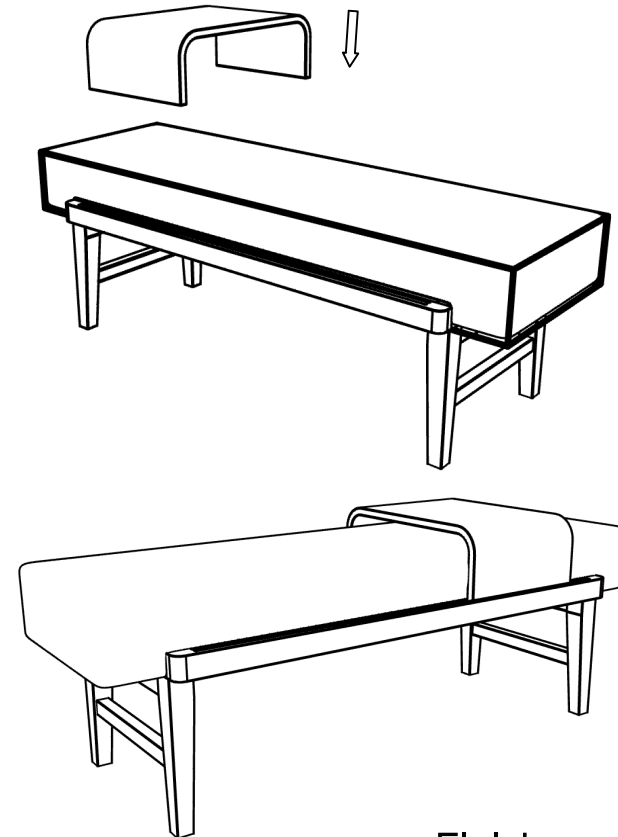
ASSEMBLY INSTRUCTIONS

85810-MBW

Step 1



Step 2



Finish

Please leave bolts loosened until all bolts are placed before tightening completely

Hardware

1		"L" Wrench	1pc
2		British Bolt 8*50mm	6pcs
3		Spring Washer	6pcs
4		Flat Washer	6pcs