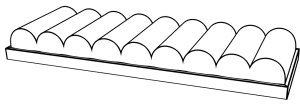
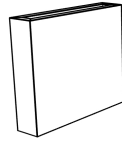


BARSTOOL ASSEMBLY INSTRUCTION (TOTAL 1 BOX)



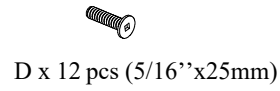
A x 1 pc



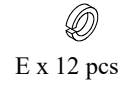
B x 2 pcs



C x 4 pcs



D x 12 pcs (5/16''x25mm)



E x 12 pcs

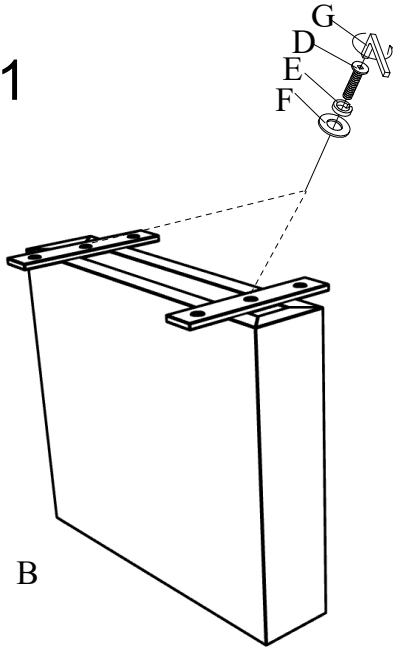


F x 12 pcs

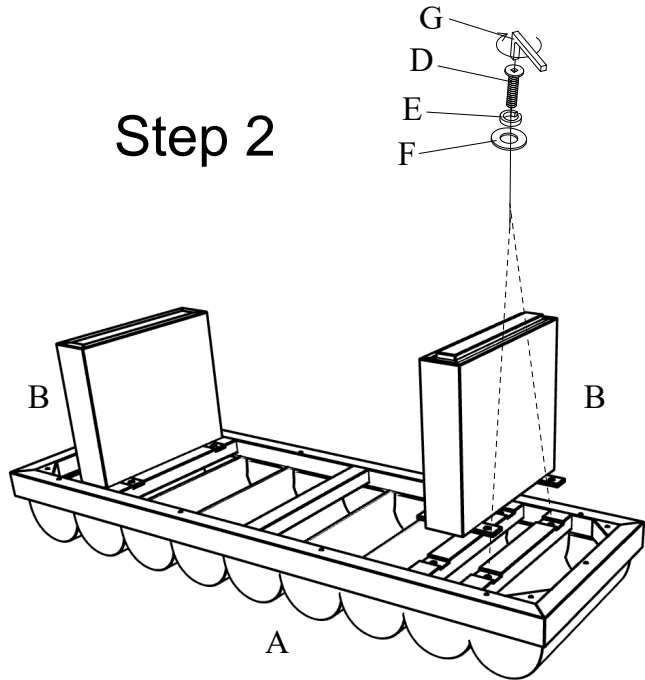


G x 1 pc (4mm)

Step 1



Step 2



Please leave bolts loosened until all bolts are placed before tightening completely.

Finish

