

CONSOLE TABLE ASSEMBLY INSTRUCTION (TOTAL 2 BOXES)



A x 8 pcs (M8x35mm)

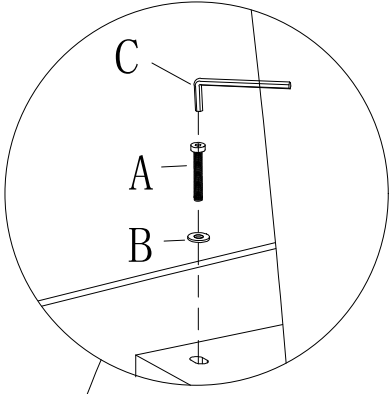


B x 8 pcs (Φ20mm)

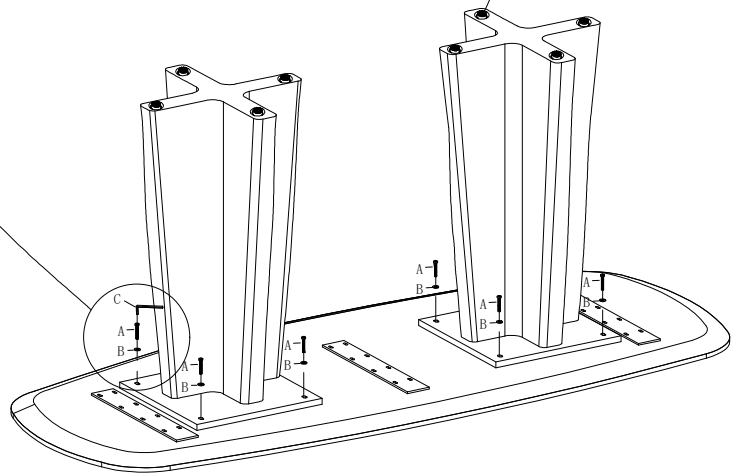


C x 1 pcs

1



Please adjust the console table with the adjustable foot when the floor is uneven.



Thank you for your purchase.