

DINING TABLE ASSEMBLY INSTRUCTION (TOTAL 1 BOX)



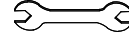
A x 4 pcs (M8x90mm)



B x 4 pcs



C x 4 pcs



D x 1 pcs



E x 2 pcs (M8x90mm)



F x 22 pcs (Φ20mm)



G x 1 pcs

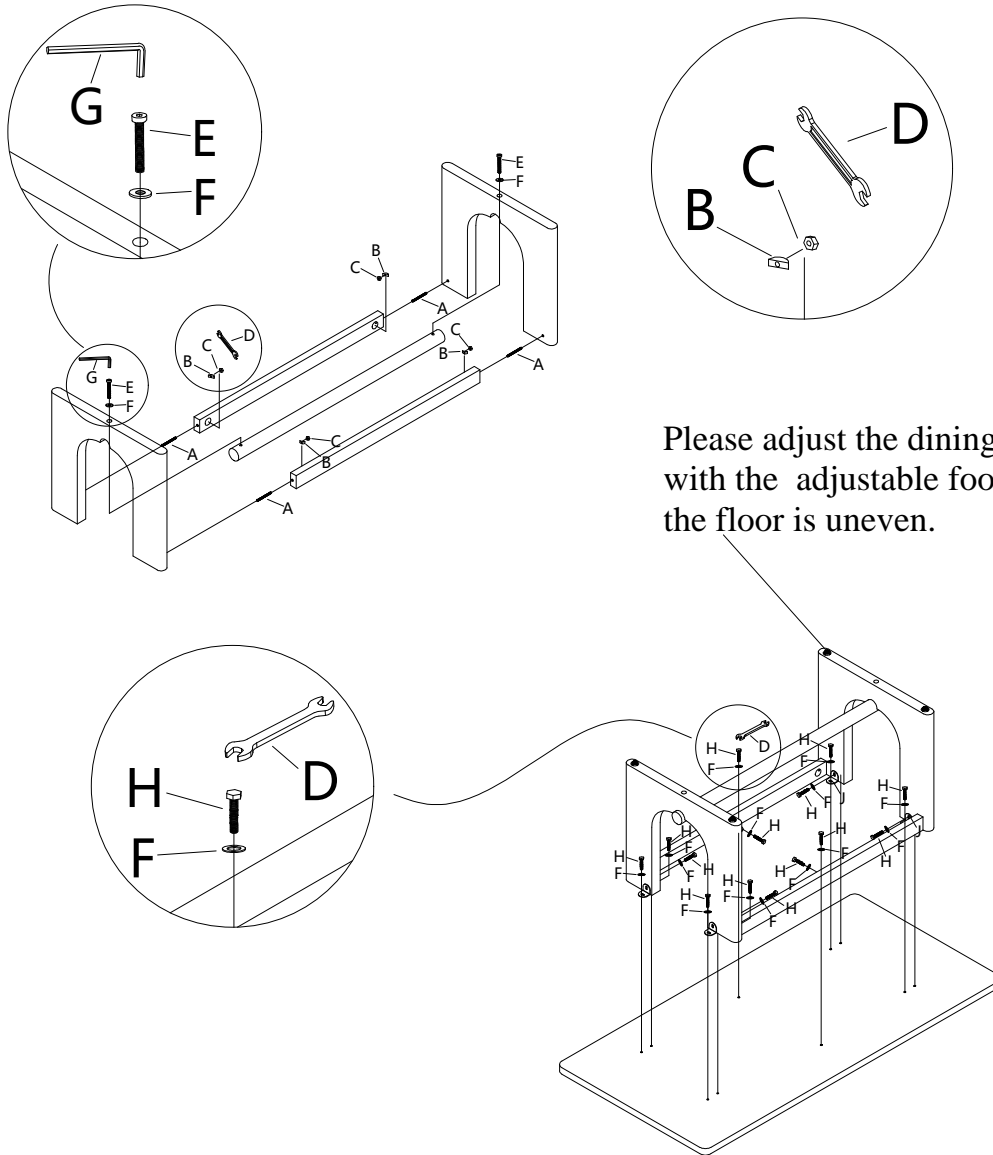


H x 20 pcs (M8x25mm)



J x 10 pcs

1



Please adjust the dining table with the adjustable foot when the floor is uneven.

Thank you for your purchase.