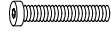


DINING TABLE ASSEMBLY INSTRUCTION (TOTAL 1 BOX)



A x 8 pcs (M8x40mm)



B x 2 pcs (M8x70mm)

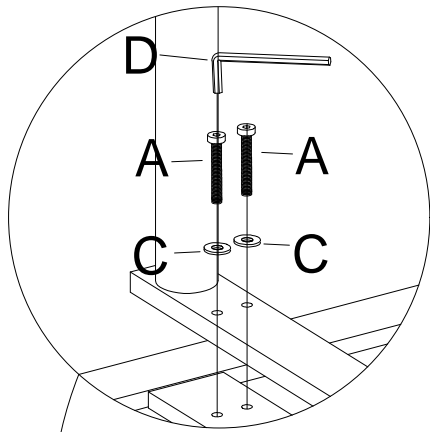


C x 10 pcs (Φ20mm)

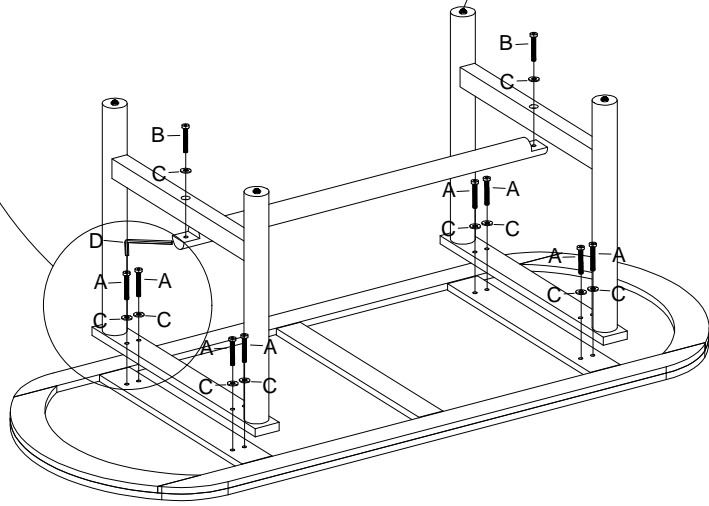


D x 1 pcs

1



Please adjust the dining table with the adjustable foot when the floor is uneven.



Thank you for your purchase.