

DINING TABLE ASSEMBLY INSTRUCTION (TOTAL 3 BOXES)



A x 8 pcs (M8x40mm)

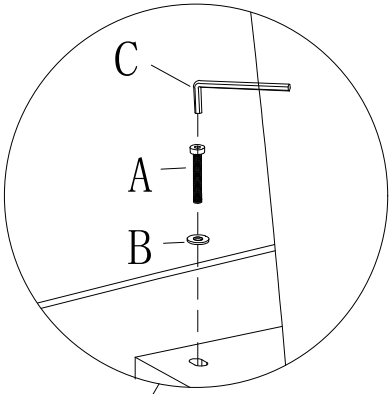


B x 8 pcs (Φ20mm)

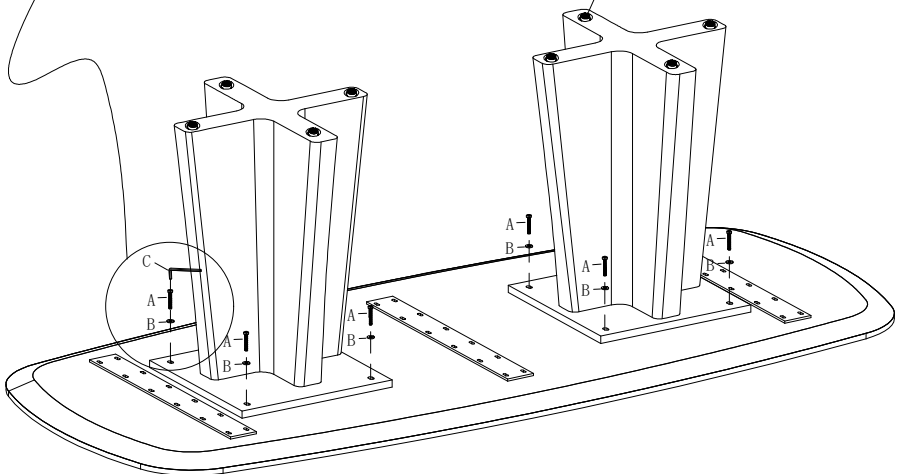


C x 1 pcs

1



Please adjust the dining table with the adjustable foot when the floor is uneven.



Thank you for your purchase.