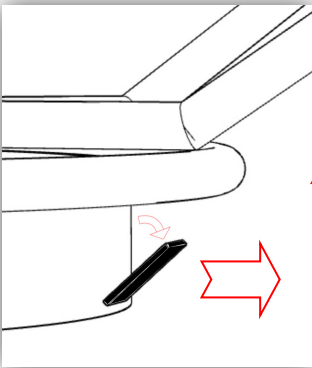
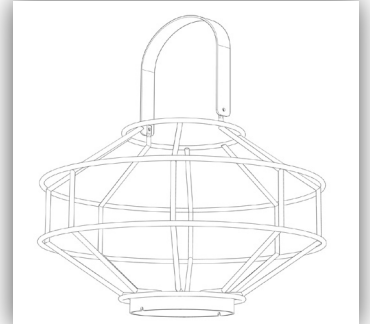
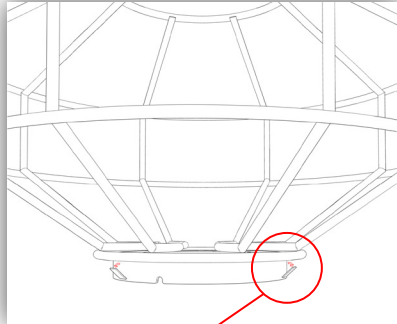
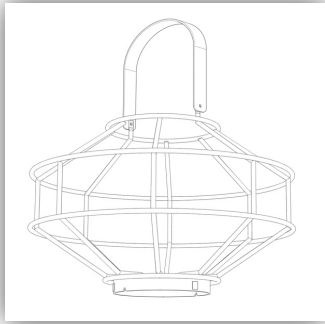


Assembly Instruction



*Take off the protection part,
and install the lantern on the
top of the stand.

