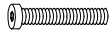


COFFEE TABLE ASSEMBLY INSTRUCTION (TOTAL 2 BOXES)



A x 4 pcs (M8x35mm)

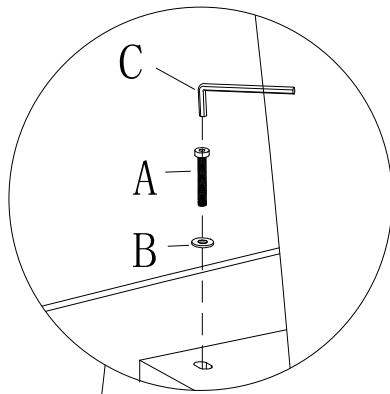


B x 4 pcs (Φ20mm)

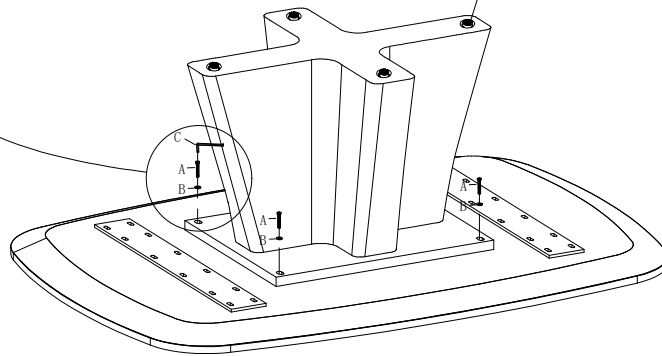


C x 1 pcs

1



Please adjust the coffee table with the adjustable foot when the floor is uneven.



Thank you for your purchase.