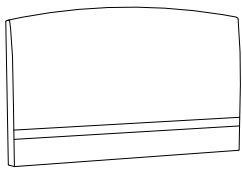


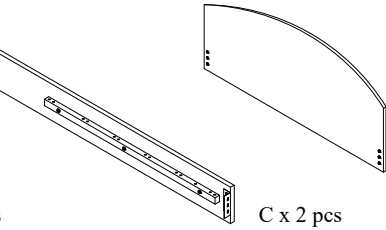
# HEADBOARD AND FOOTBOARD SET ASSEMBLY INSTRUCTION (TOTAL 1 BOX)



A x 1 pc

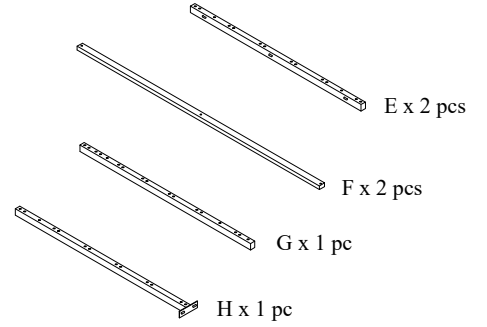


B x 2 pcs



C x 2 pcs

D x 1 pc



E x 2 pcs

F x 2 pcs

G x 1 pc

H x 1 pc



I x 28 pcs



L x 2 pcs



O x 14 pcs(M8x40)



R x 34 pcs(M8x25mm)



X x 1 pc(14mm)



J x 28 pcs



N x 4 pcs



P x 10 pcs(M8x60)



S x 24 pcs(M8)



Y x 1 pc(4mm)



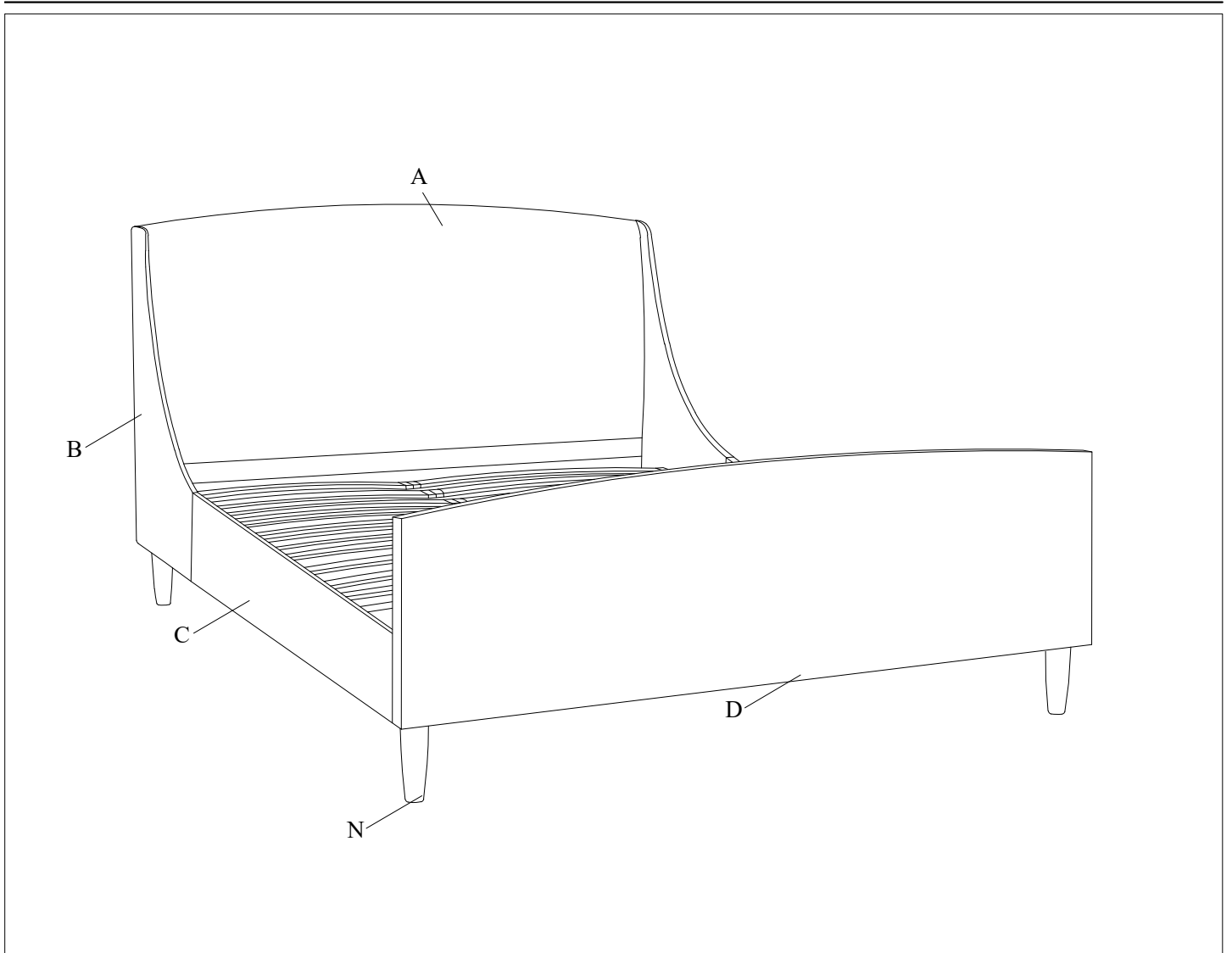
K x 14 pcs

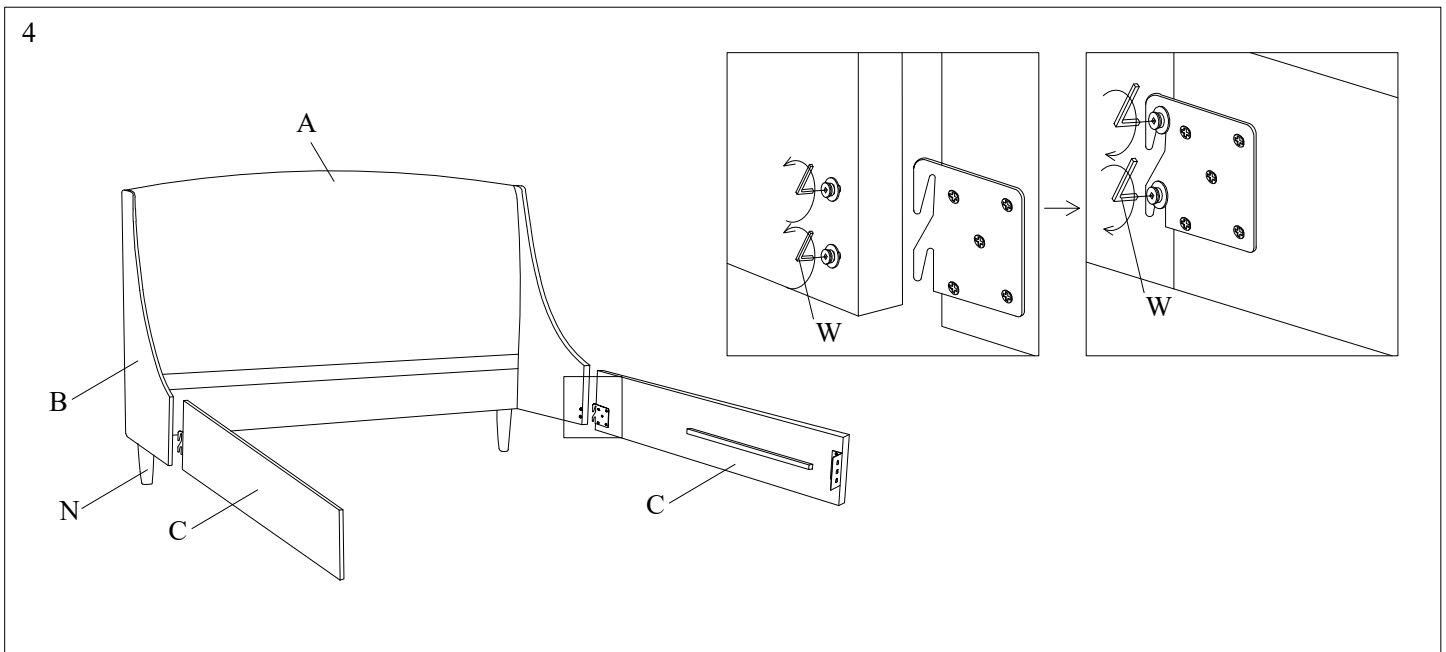
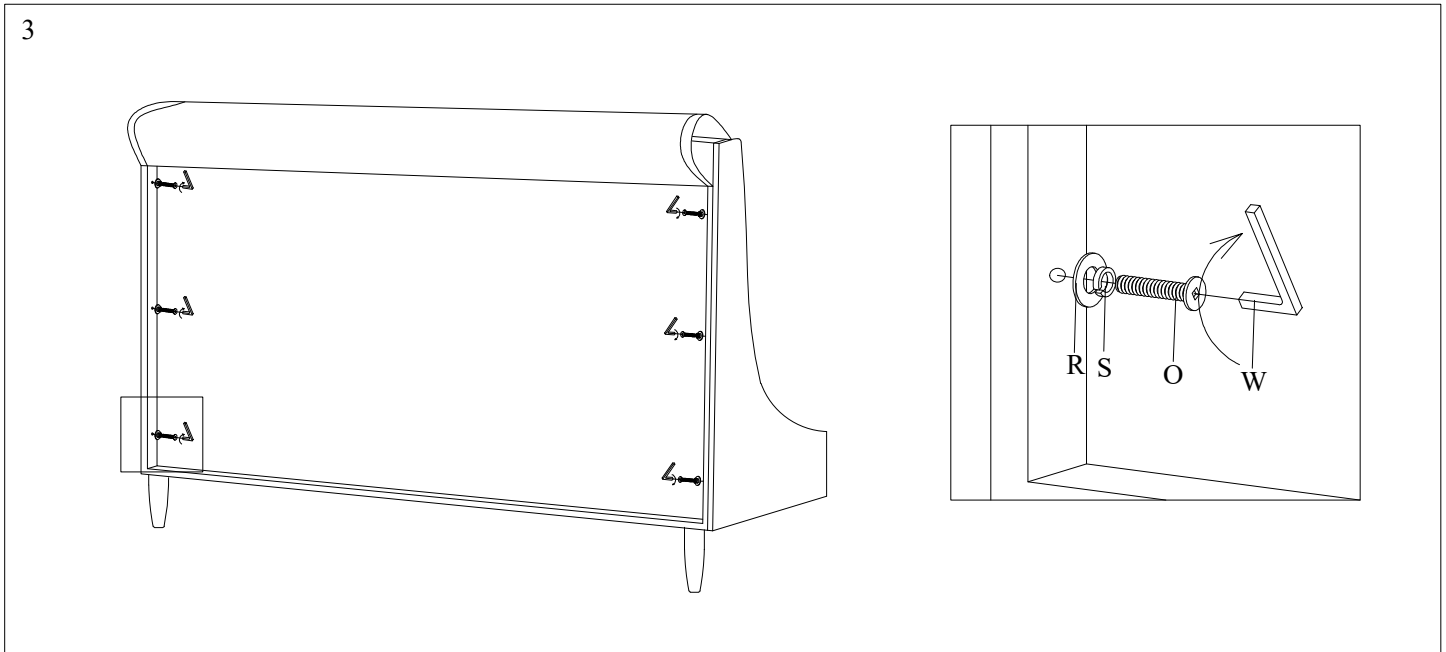
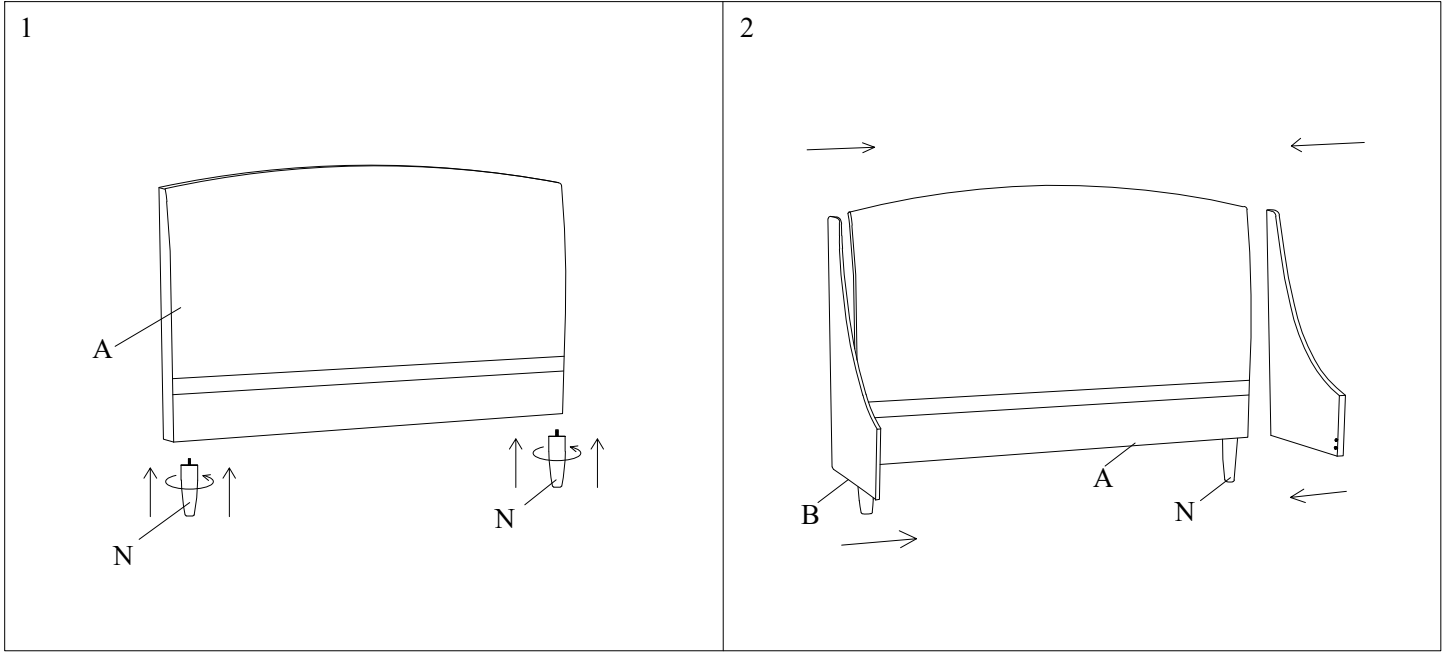


Q x 10 pcs(M8)

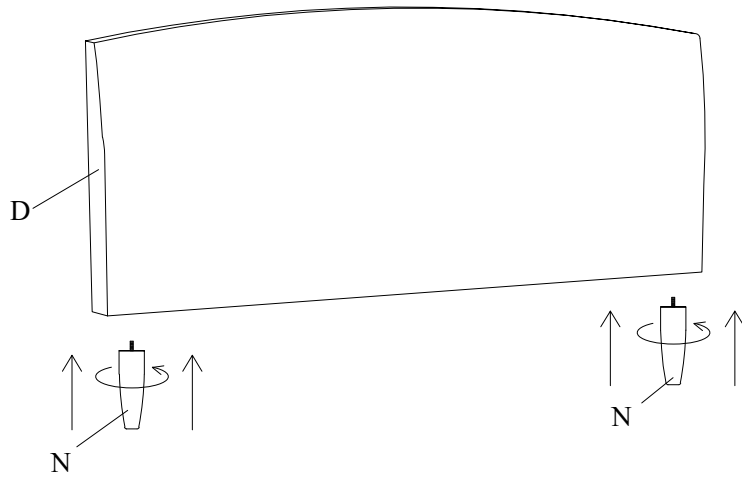


W x 1 pc(5mm)

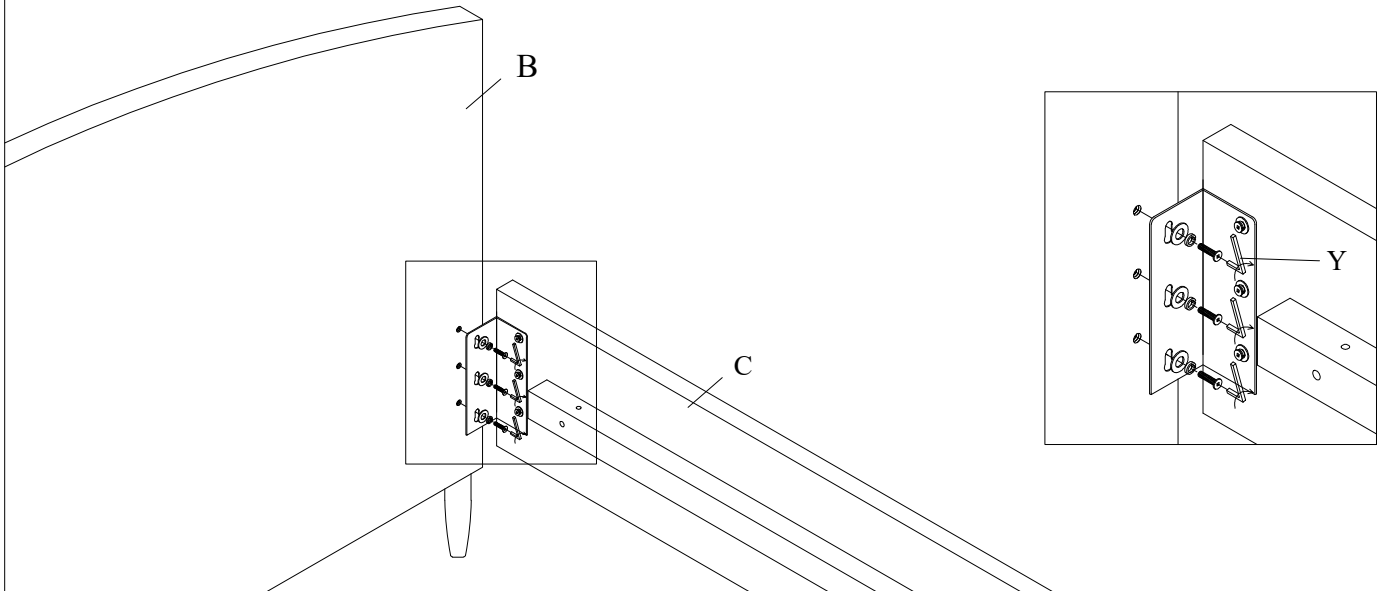




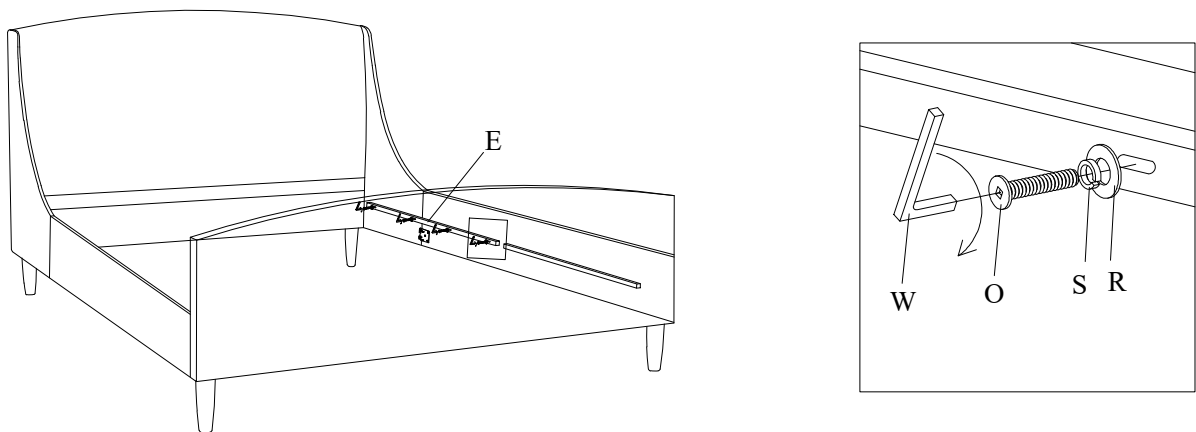
5



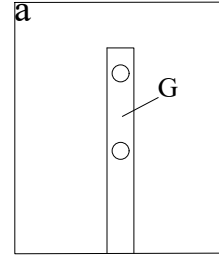
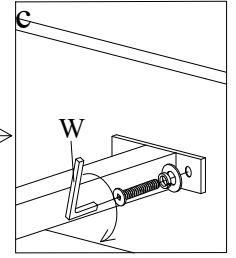
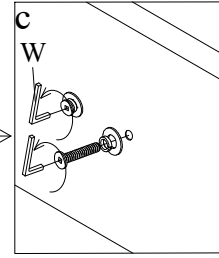
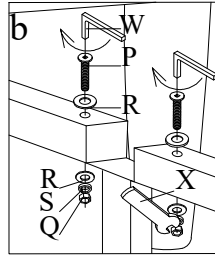
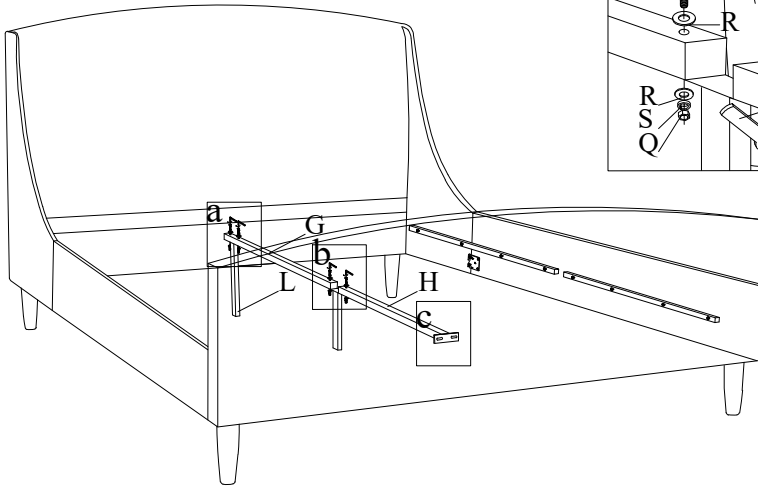
6



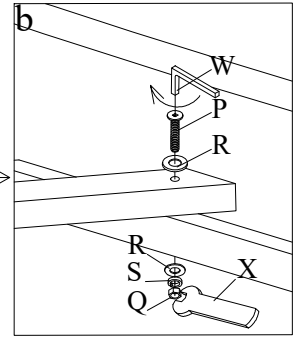
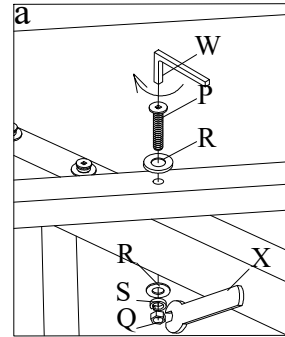
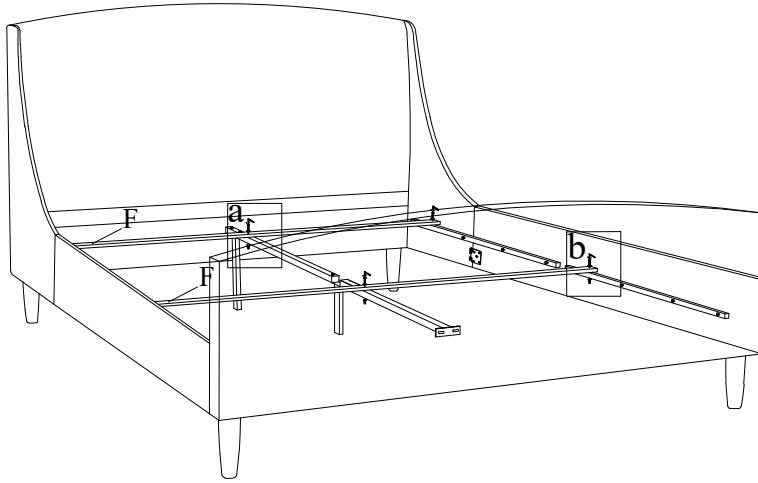
7



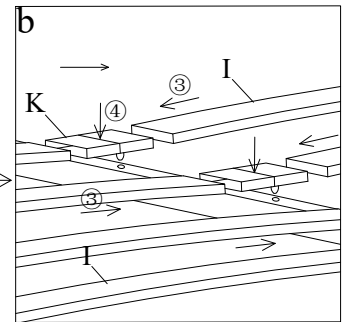
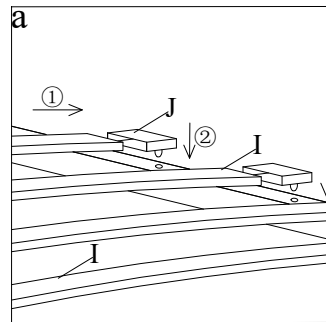
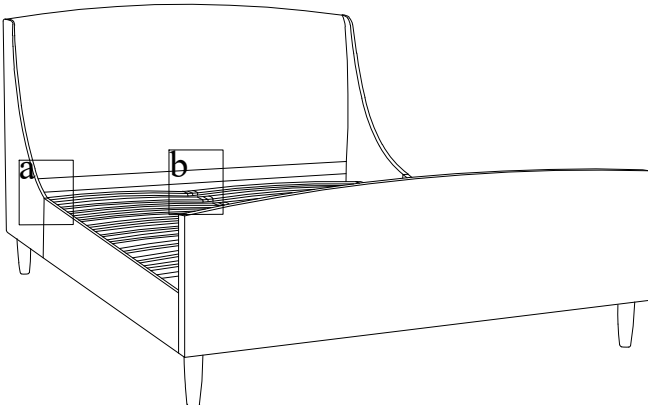
8



9



10



Thank you for your purchase.