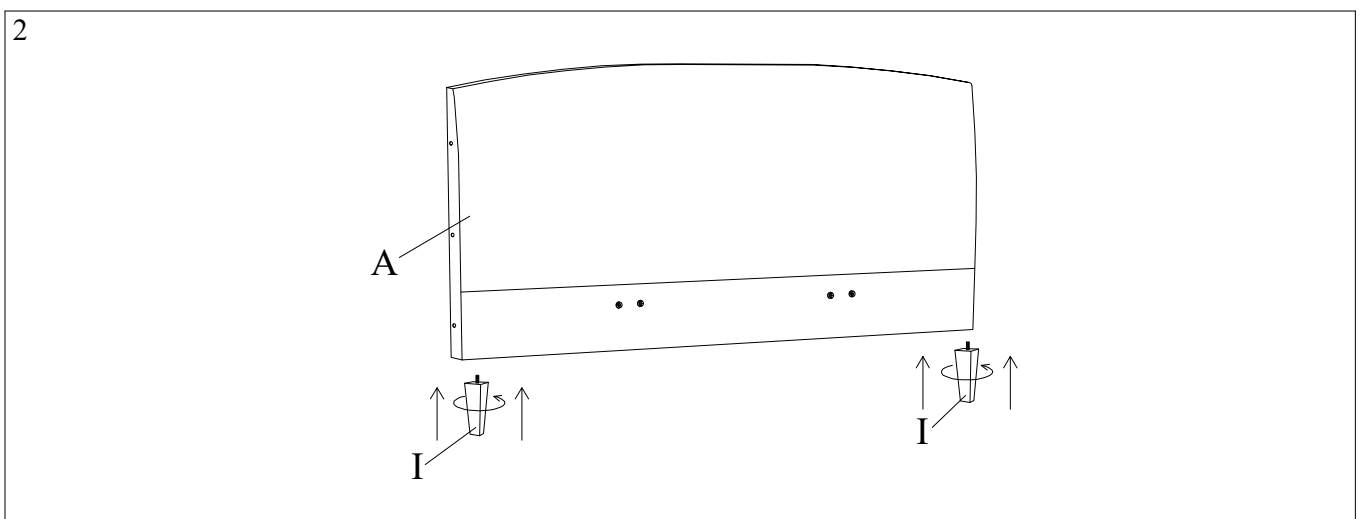
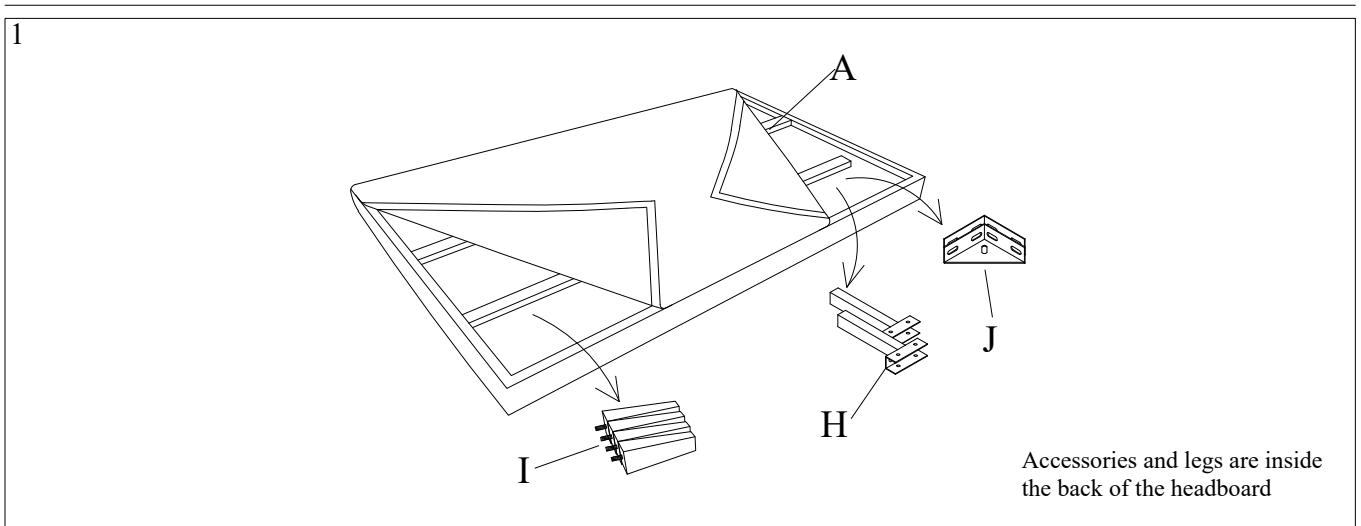
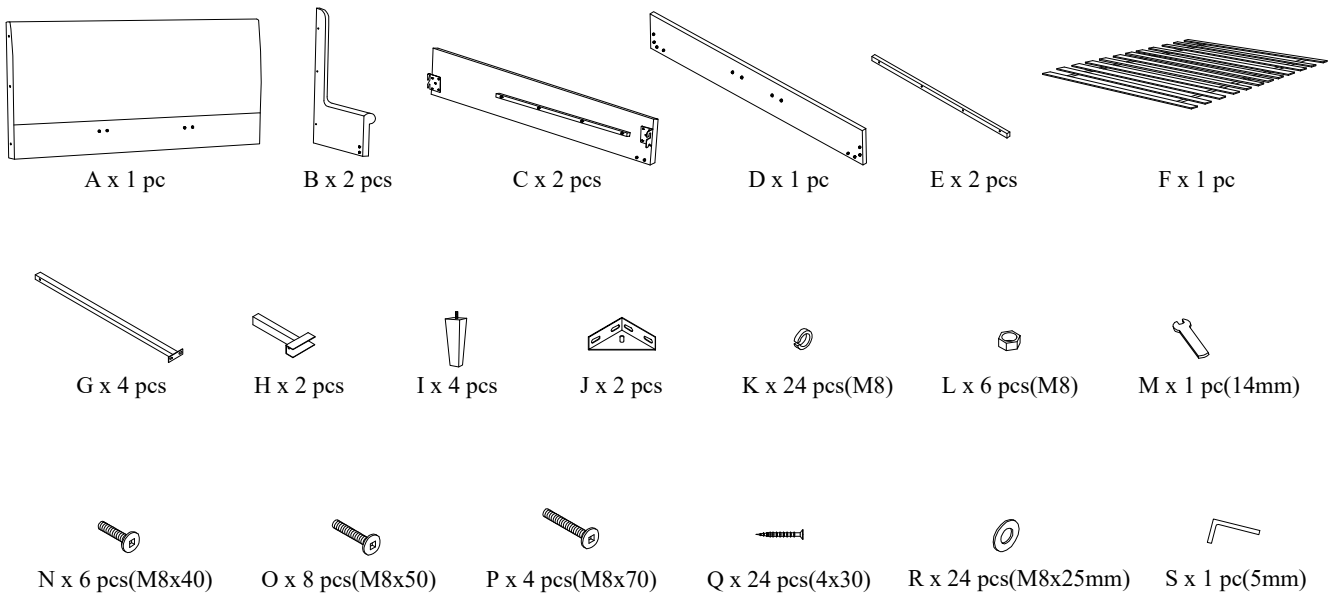
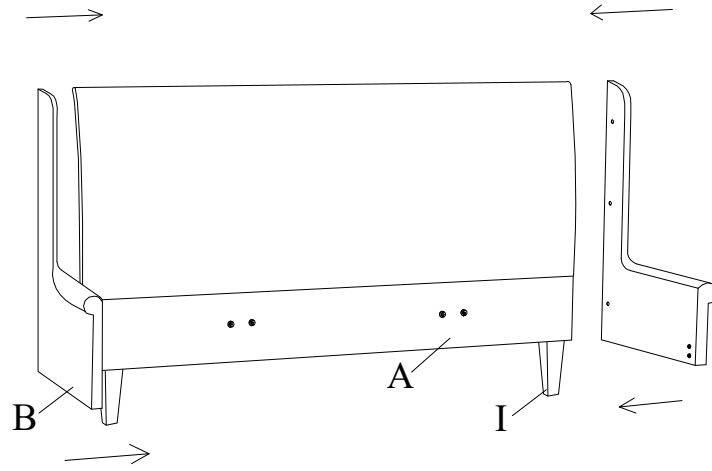


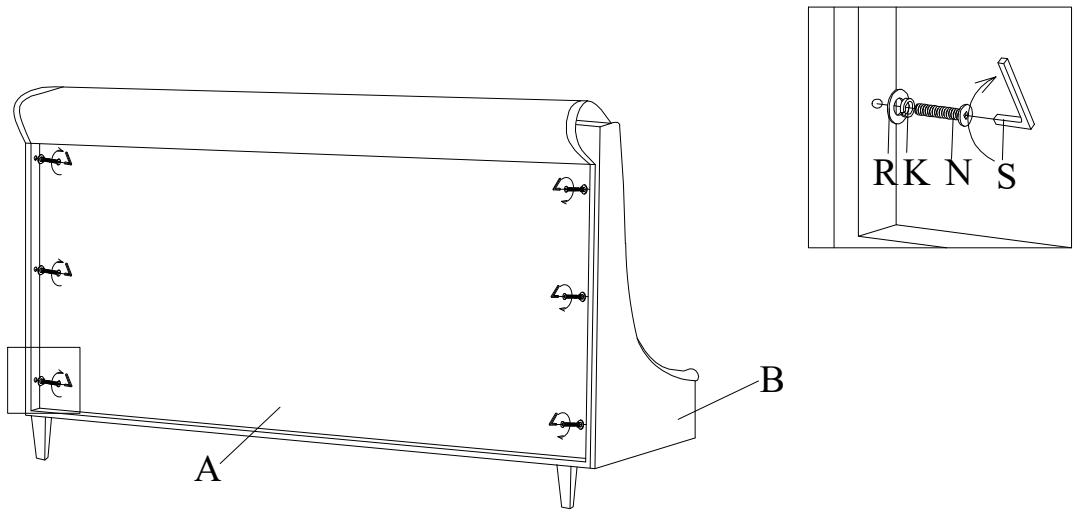
HEADBOARD AND FOOTBOARD SET ASSEMBLY INSTRUCTION (TOTAL 1 BOX)



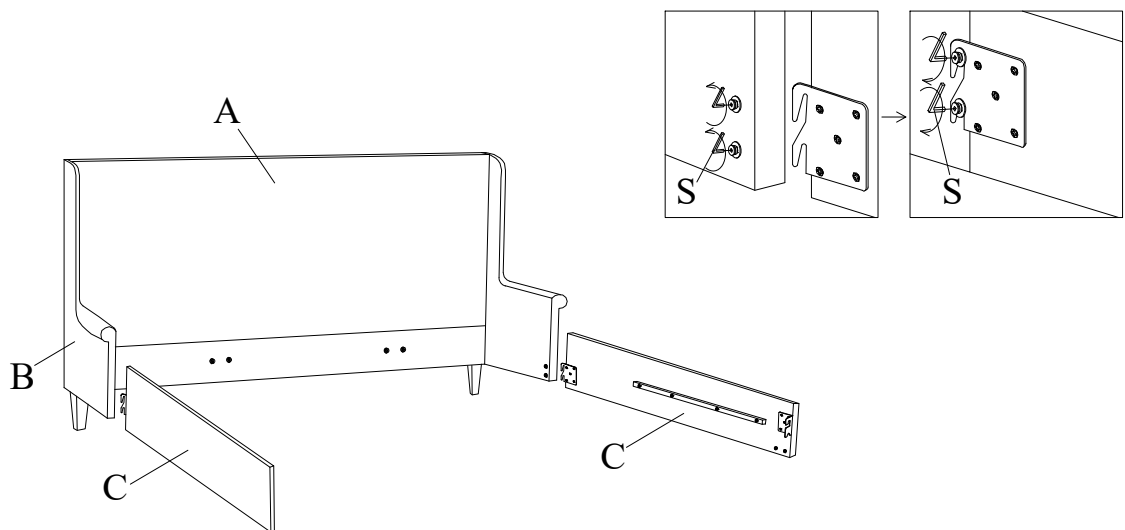
3

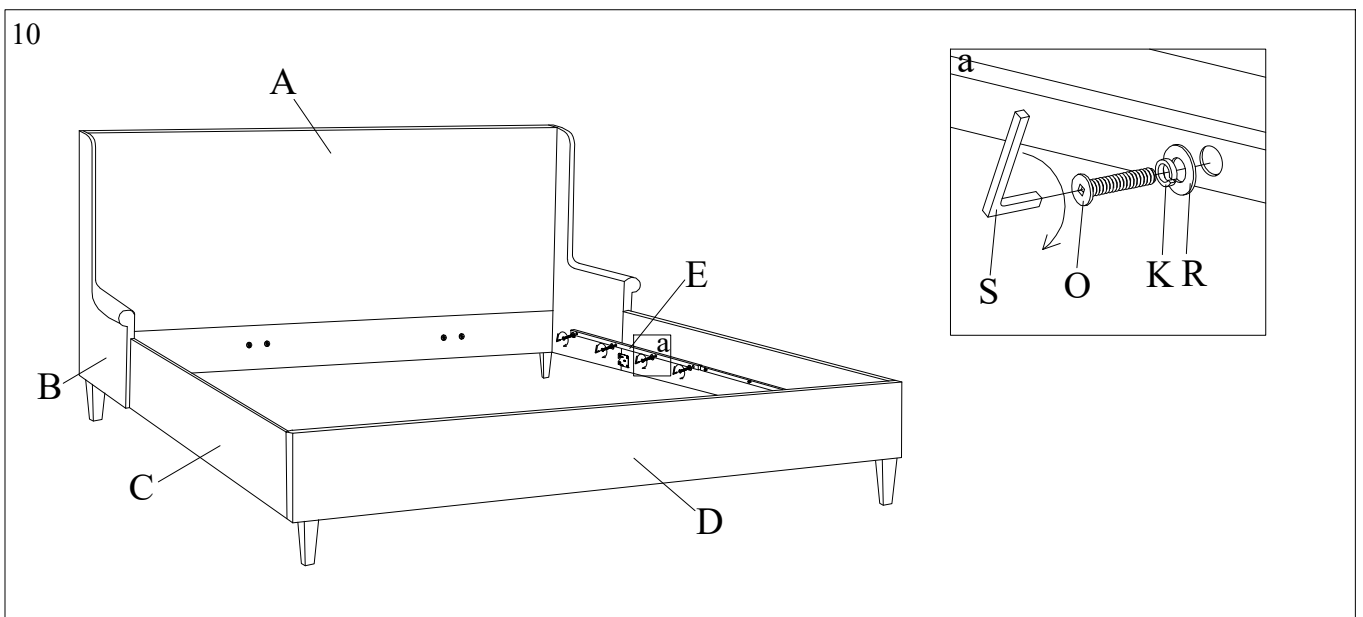
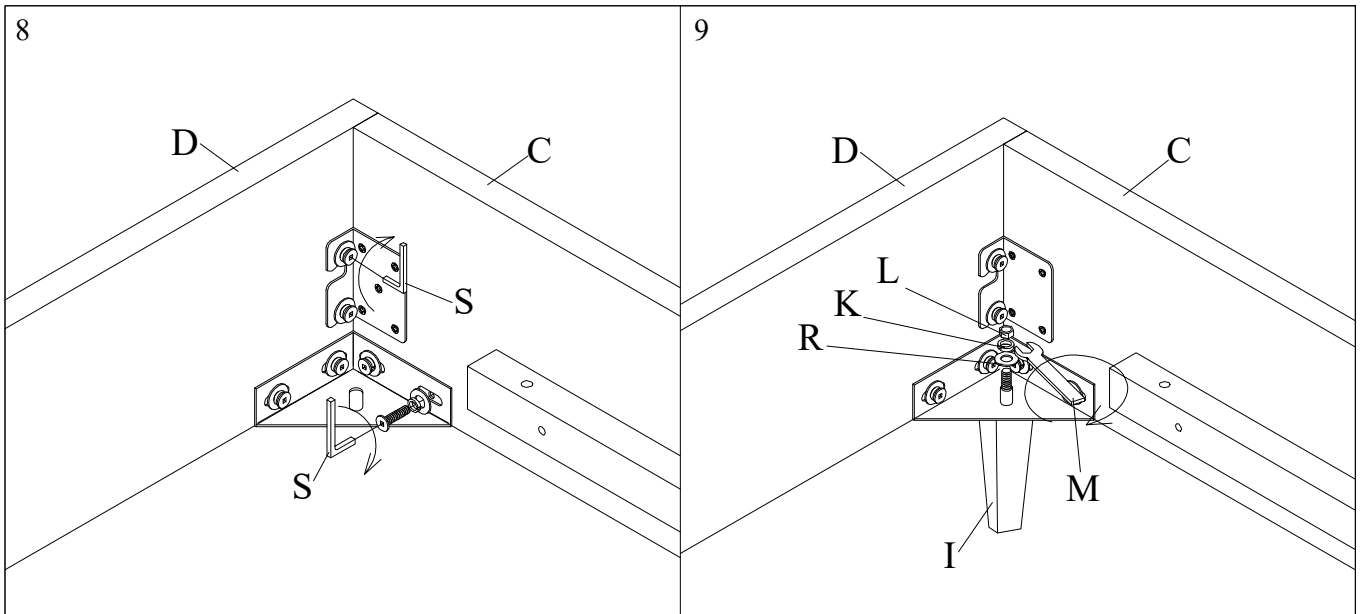
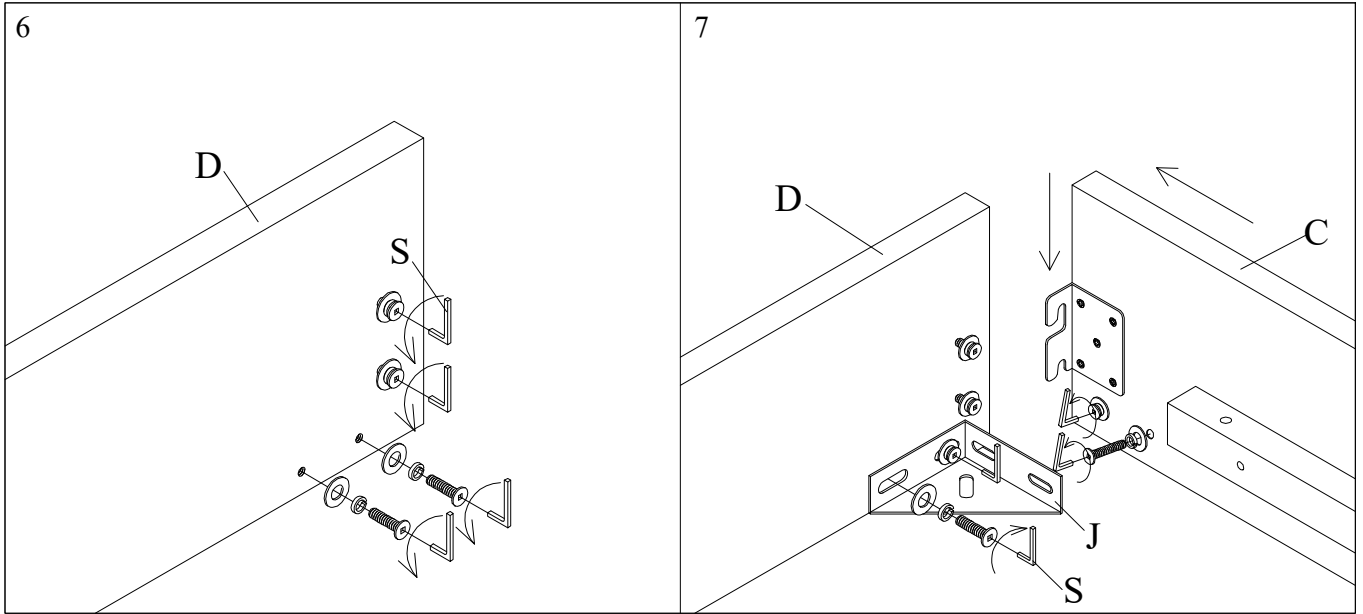


4

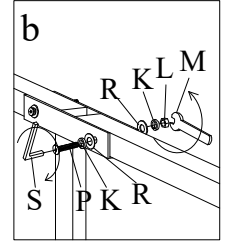
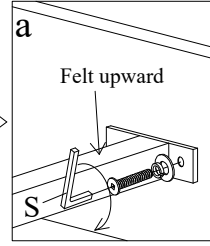
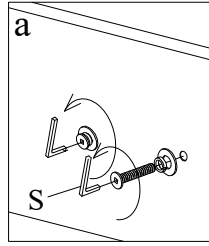
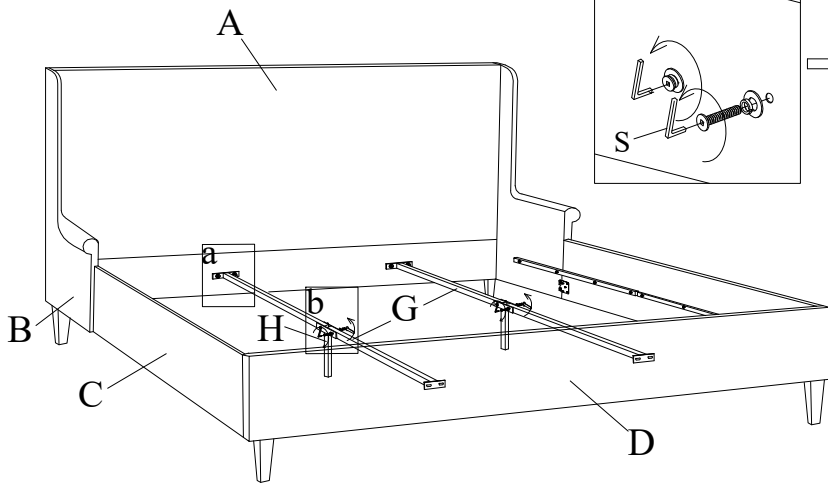


5

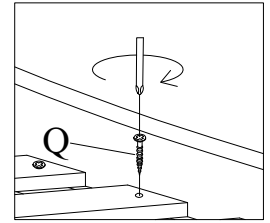
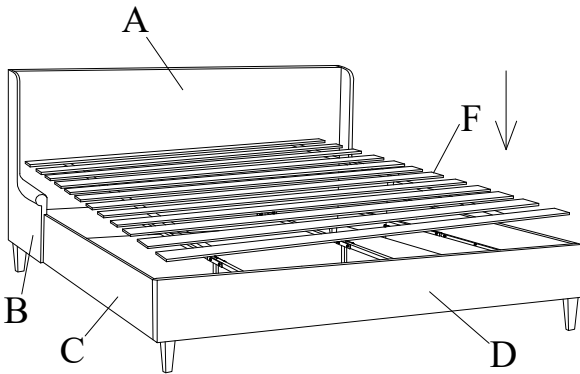




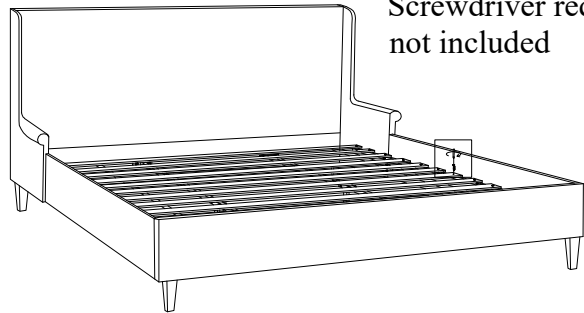
11



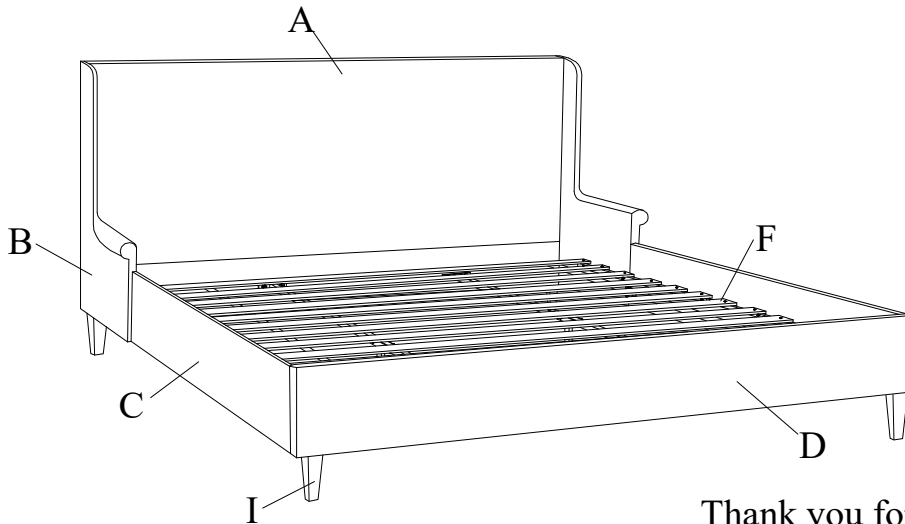
12



Screwdriver required, not included



13



Thank you for your purchase.