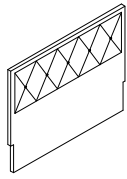


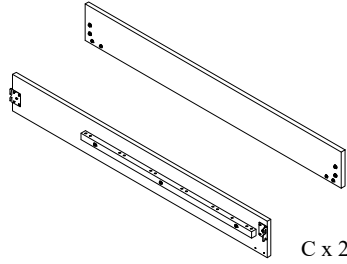
HEADBOARD AND FOOTBOARD SET ASSEMBLY INSTRUCTION (TOTAL 1 BOX)



A x 1 pc

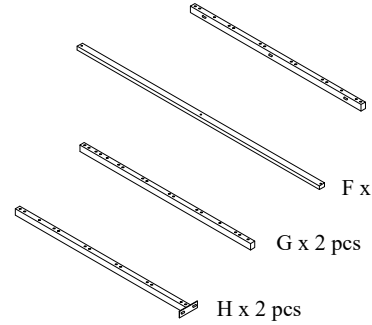


B x 2 pcs



C x 2 pcs

D x 1 pc



E x 2 pcs

F x 2 pcs

G x 2 pcs

H x 2 pcs



I x 42 pcs



L x 4 pcs



O x 12 pcs(M8x40)



R x 46 pcs(M8x25mm)



X x 1 pc(14mm)



J x 28 pcs



M x 2 pcs



P x 16 pcs(M8x60)



S x 30 pcs(M8)



K x 28 pcs



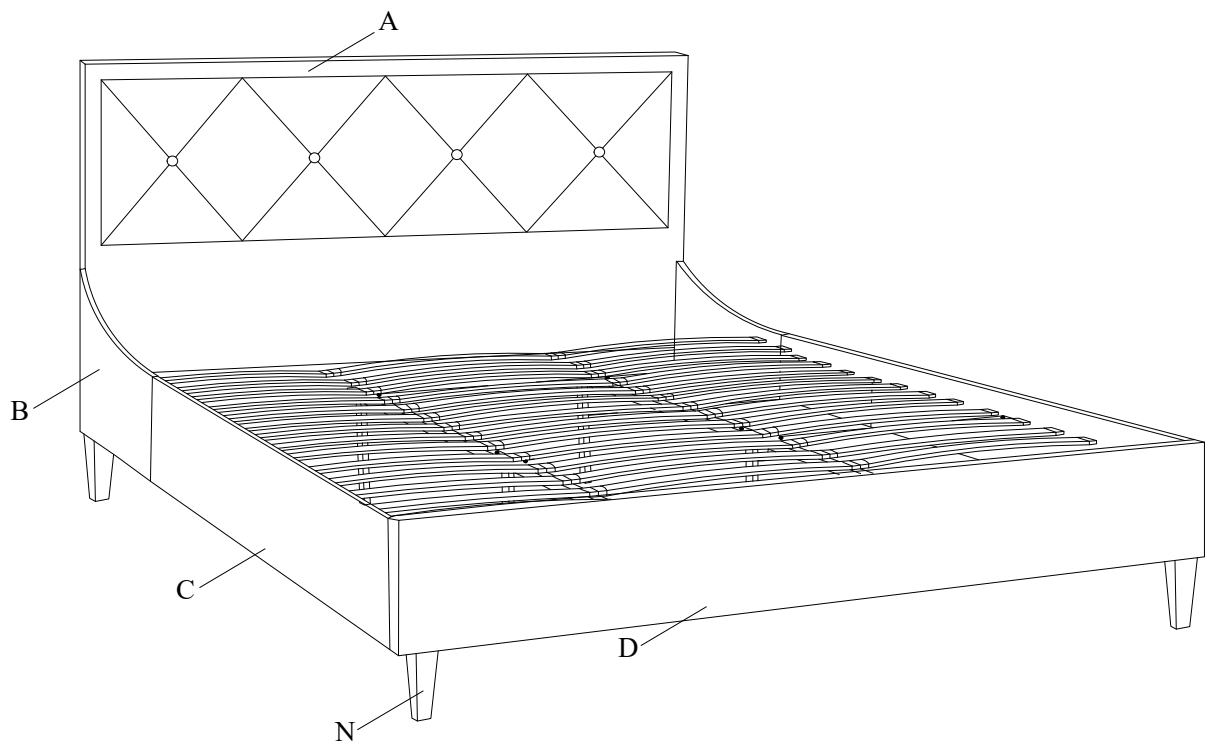
N x 4 pcs

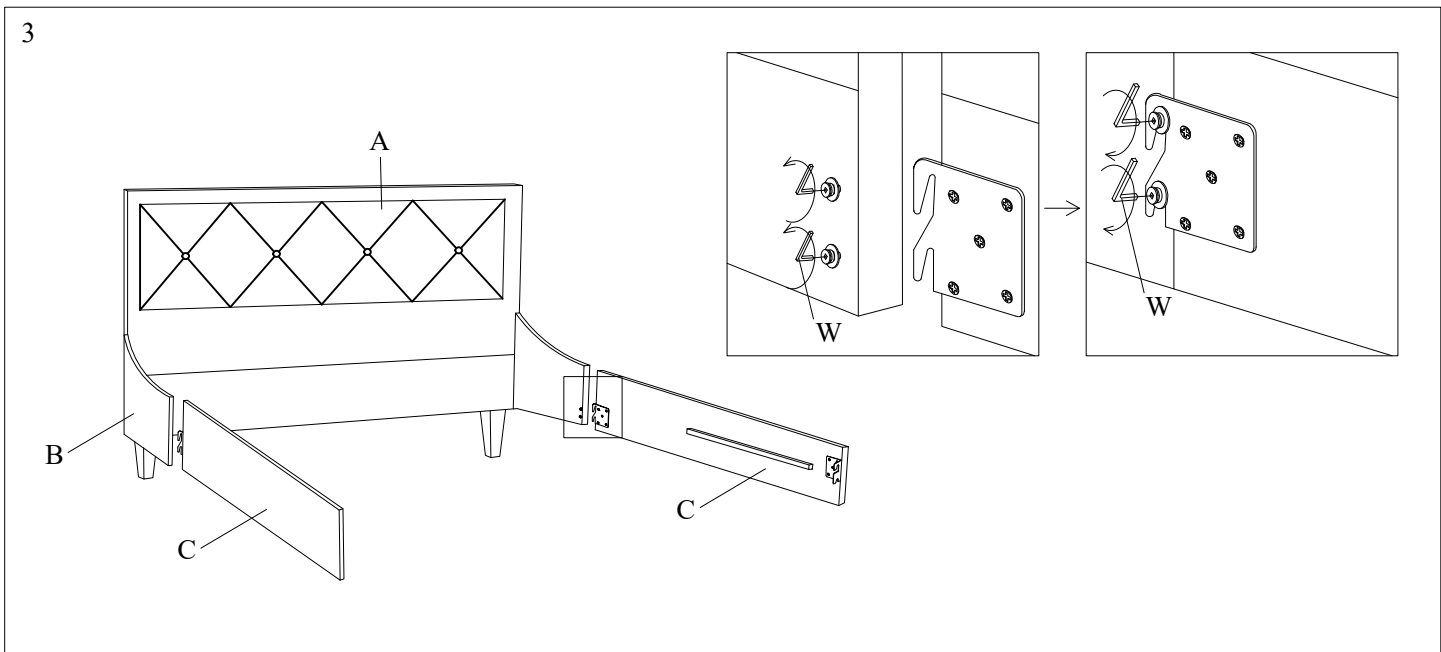
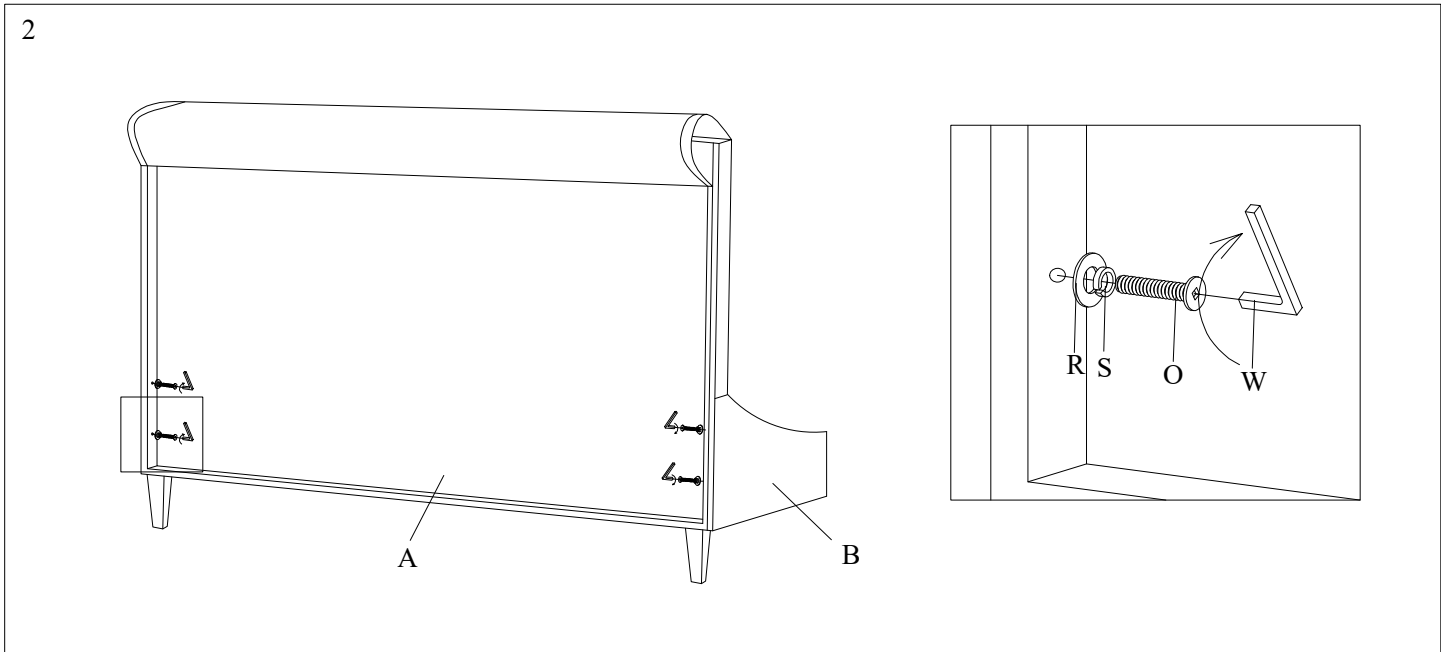
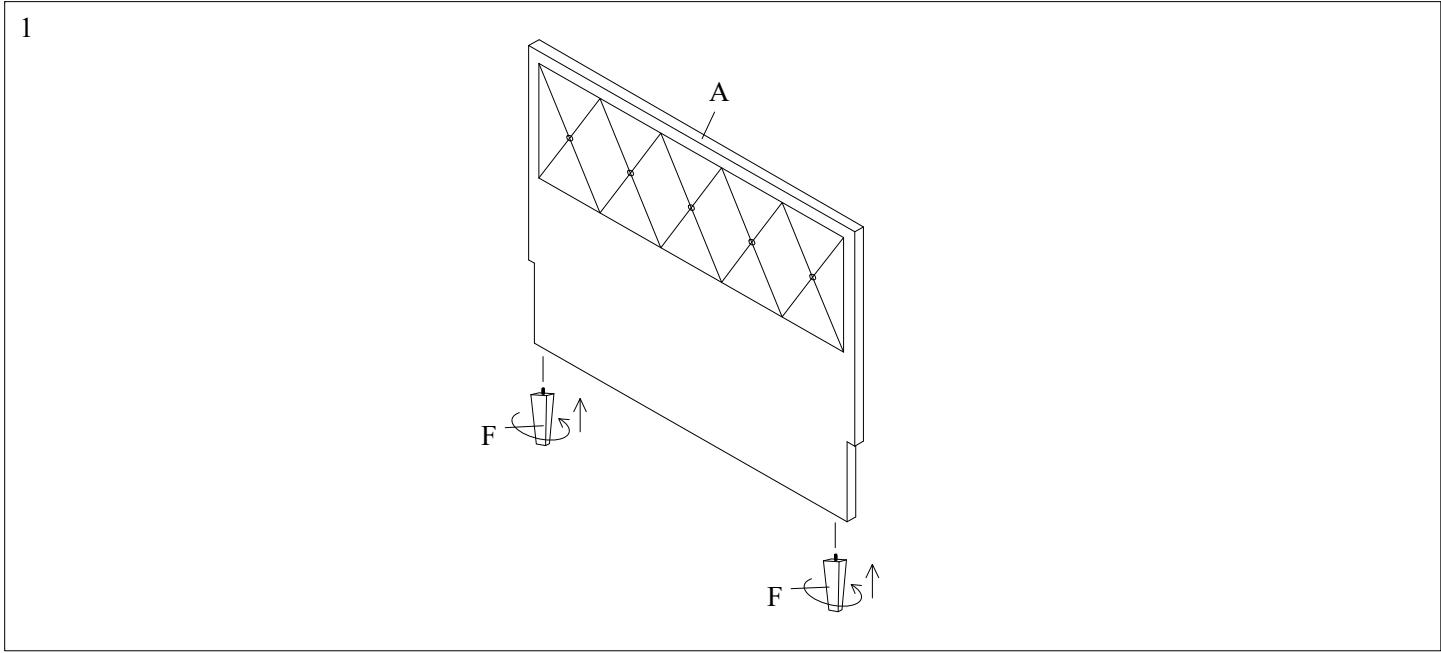


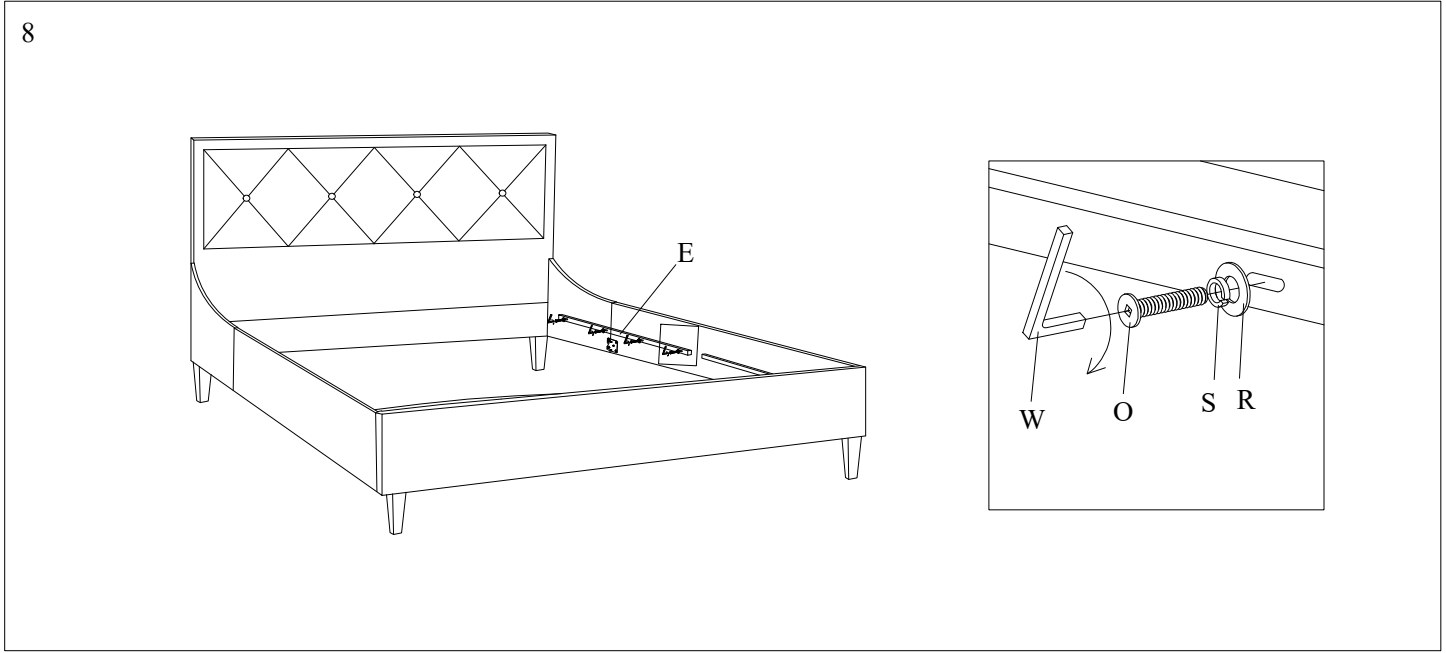
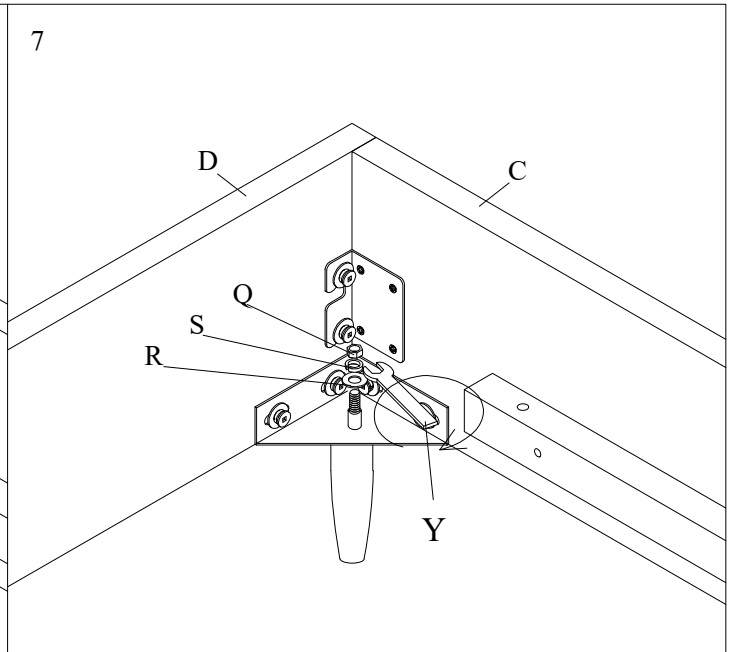
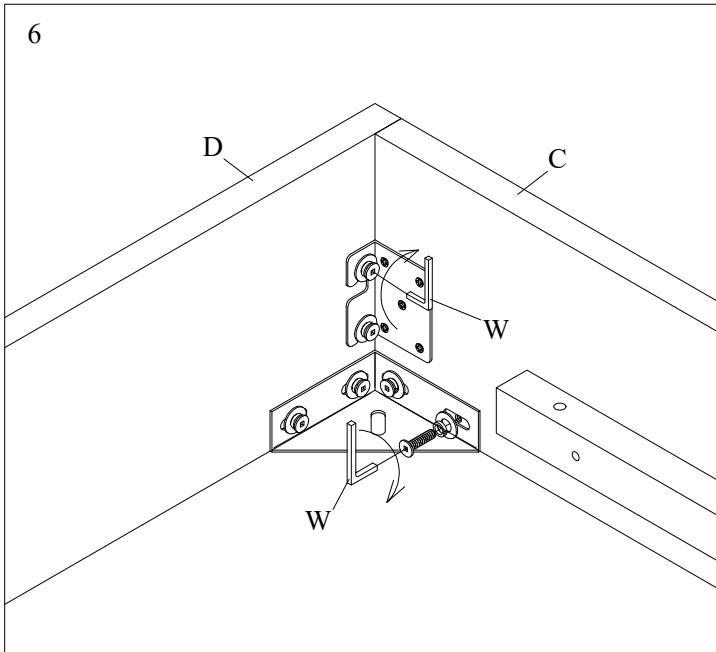
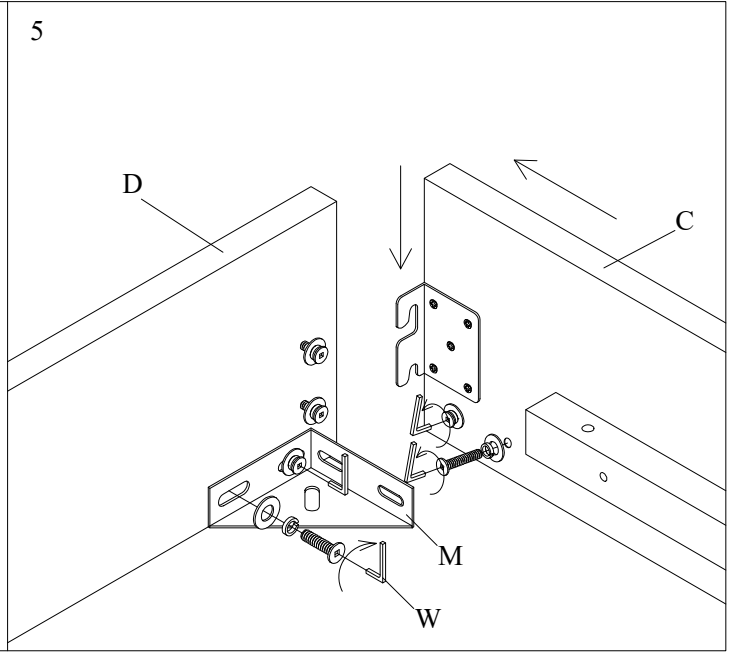
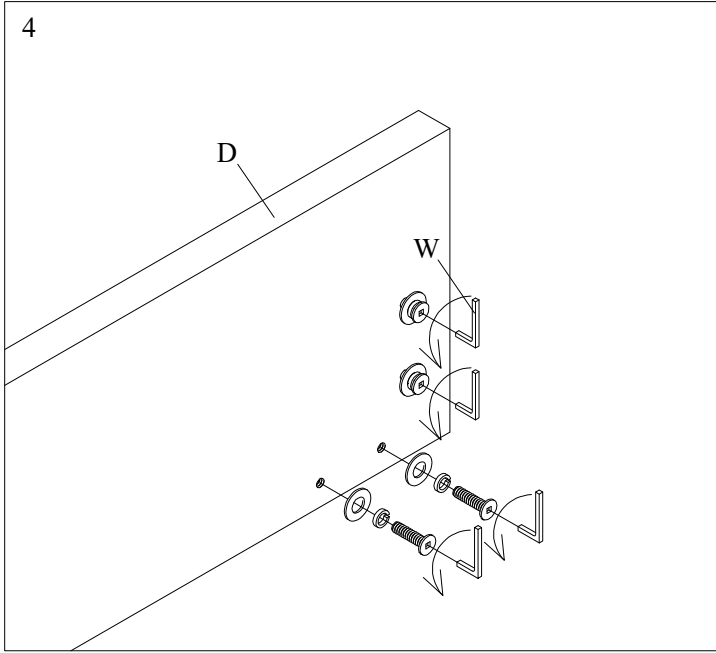
Q x 18 pcs(M8)



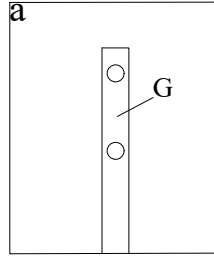
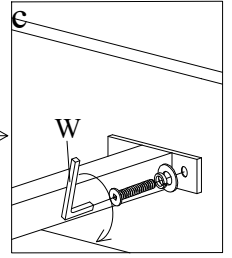
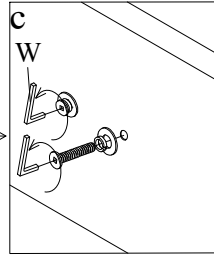
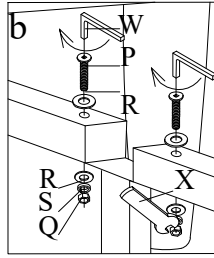
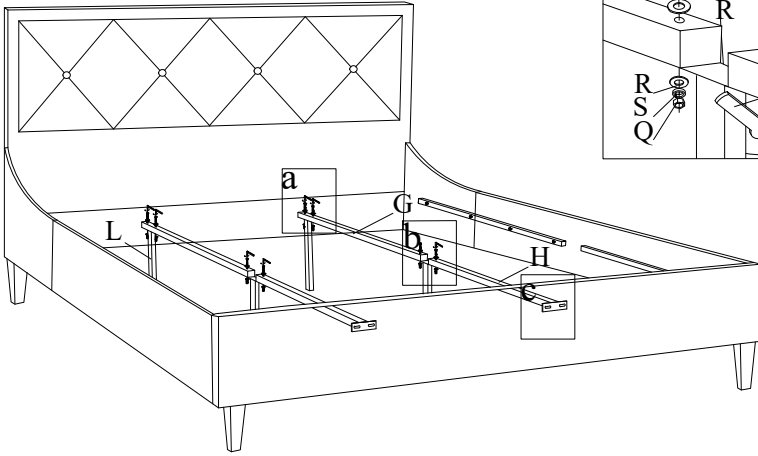
W x 1 pc(5mm)



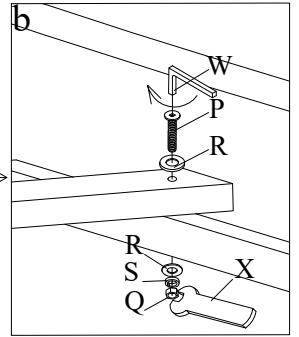
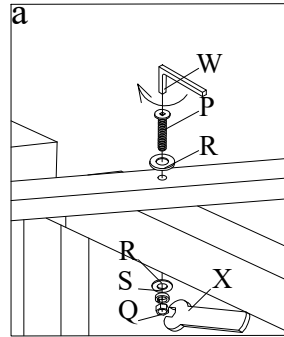
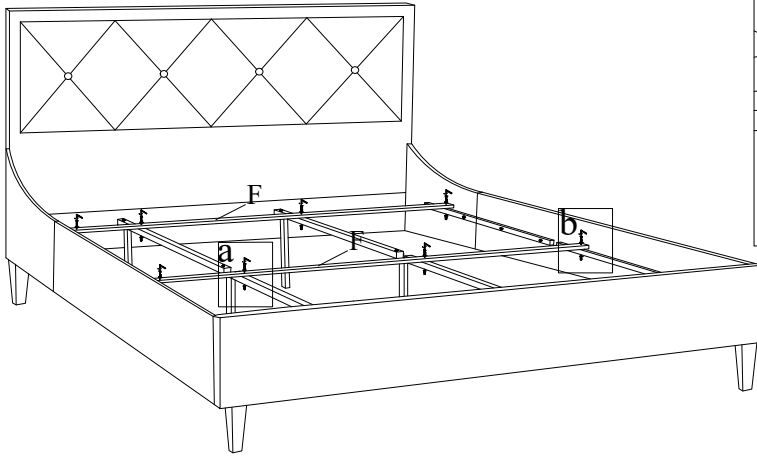




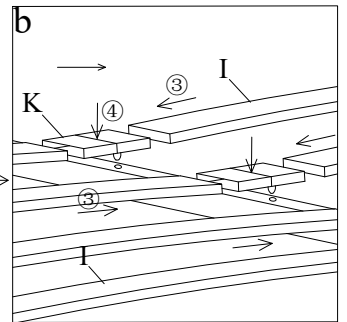
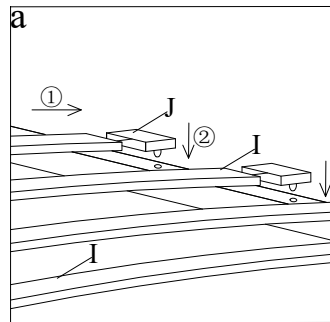
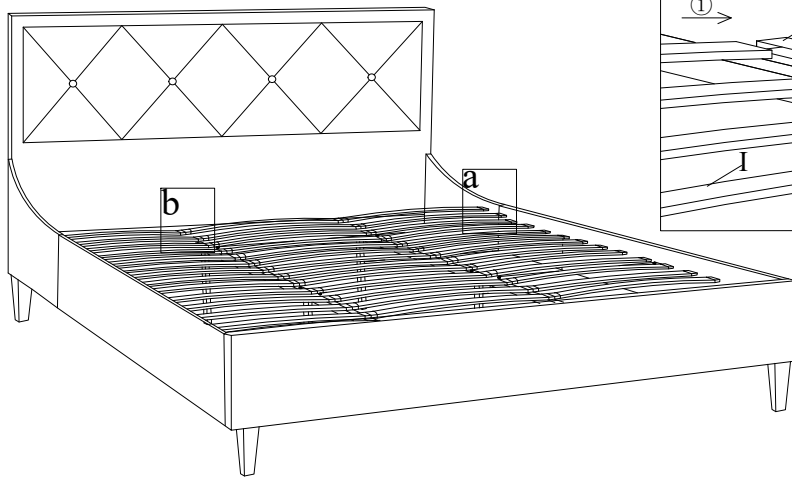
9



10



11



Thank you for your purchase.