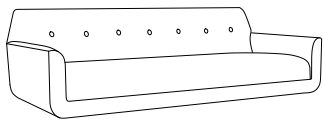


SOFA ASSEMBLY INSTRUCTION (TOTAL 1 BOX)



A x 1 pc



B x 4 pcs



C x 1 pc



D x 12 pcs (8x30mm)



E x 12 pcs (M8)

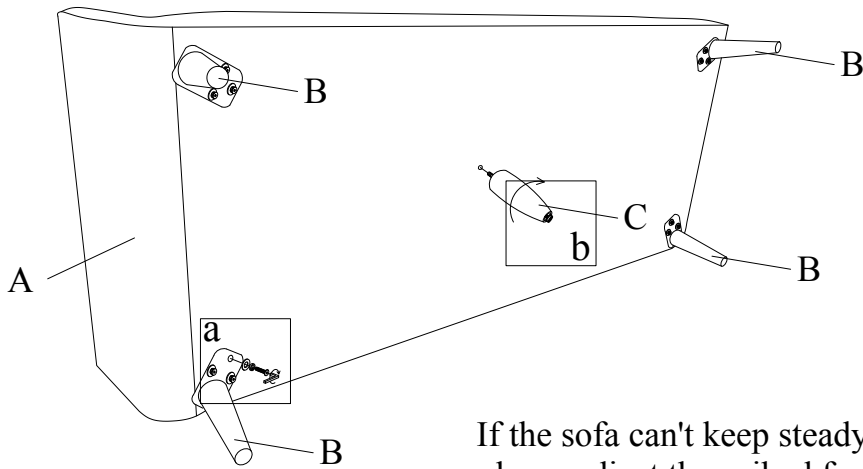


F x 12 pcs (M8x25mm)

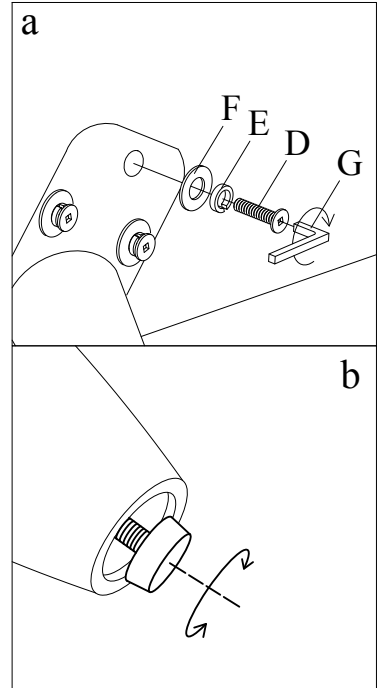


G x 1 pc (5mm)

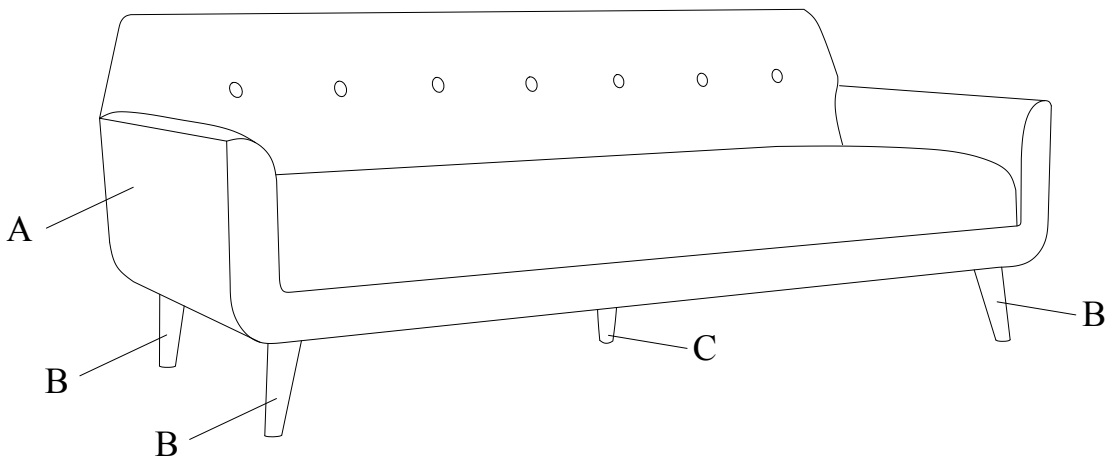
1



If the sofa can't keep steady,
please adjust the spiked feet.



2



Thank you for your purchase.