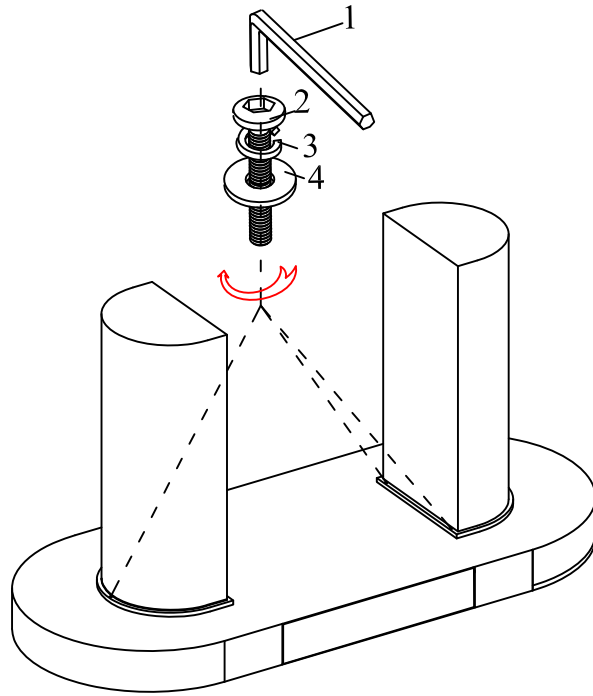


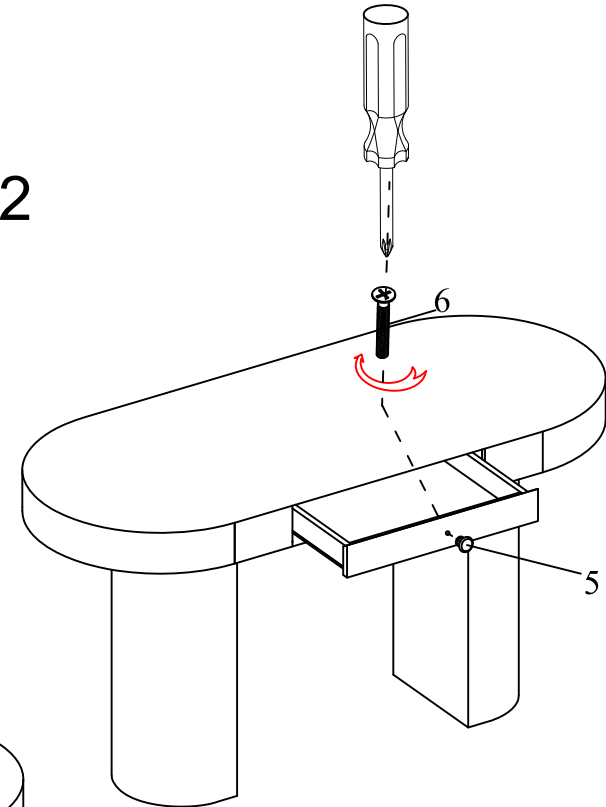
ASSEMBLY INSTRUCTIONS

SZT87500

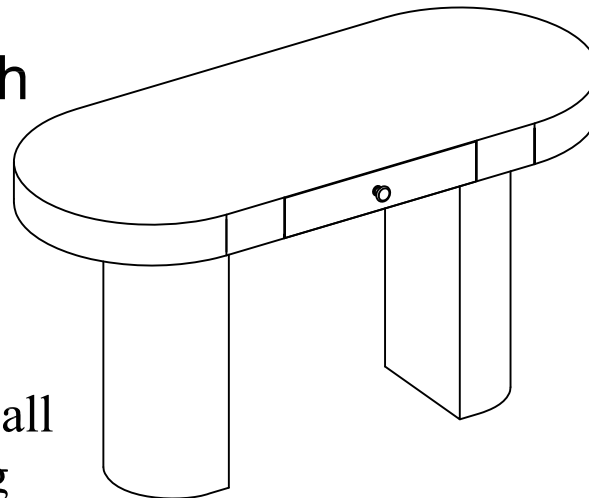
Step 1



Step 2






Finish



Please leave bolts loosened until all bolts are placed before tightening completely

Hardware

1		"L" Wrench	1pc
2		Bolt 6*30mm	6pcs
3		Spring Washer	6pcs
4		Flat Washer	6pcs
5		DRAWER PULL	1pcs
6		Screws 4*35mm	1pcs